

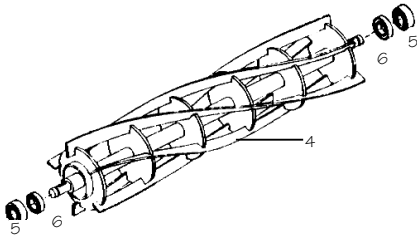
TEL: (0114) 251 3344
FAX: (0114) 251 3000

MK2(A) (8") CUTTERHEAD
SUITABLE FOR LM308, LM508, TM508, TM529, LT312
+TM539, TM549, TM739, TM749

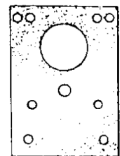
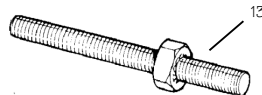
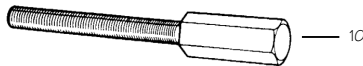
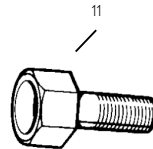
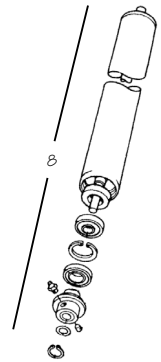
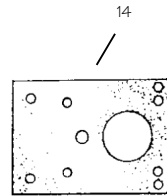
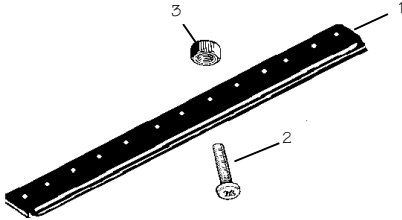
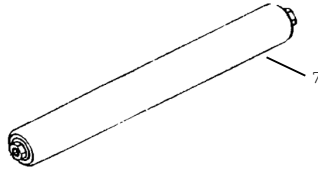
Key No	OEM Part No	Description	Our Part No	Price £
-	63-07-005	Bottom Blade 7 Hole Standard Cut	G00102	15.55
-	63-07-034	Bottom Blade 7 Hole Low Cut	G00104	15.75
1	-	Bottom Blade 8 Hole	G00111	17.25
1	63-07-066	Bottom Blade 13 Hole Standard Cut	G00107	17.95
1	63-07-067	Bottom Blade 13 Hole Low Cut	G00108	18.95
2	63-07-061	Screw, Bottom Blade (Allen Type)	G60042	0.31
3	ZNB5F000U	Stiff Nut for Bottom Blade Screw (Binx)	G60042A	0.32
4	63-07-056B	4 Bladed Cutting Cylinder	G00105	115.00
4	63-07-057B	6 Bladed Cutting Cylinder	G00101	125.00
4	63-07-058B	8 Bladed Cutting Cylinder	G00103	135.95
4	63-07-059	10 Bladed Cutting Cylinder	G00106	139.95
7	63-07-045	Smooth Roller Assembly (as original) 3" diameter	G71013	83.15
7	N/A	Smooth Roller Assembly (as original) 2½" diameter	G71018	93.20
8	SPECIAL	Heavy Duty Roller Assy with Replacable Bearings & Shaft	G71013HD	108.10
9	-	Roller Seal Kit (for item 8 above)	G71013SK	22.50
5	63-07-036	Bearings - Cutting Cylinder	G00118	3.75
6	63-07-037	Oil Seal Cutting Cylinder Motor Side	G00119	2.35
6	63-07-038	Oil Seal - Cutting Cylinder	G00120	2.45
10	63-01-245	Adjuster	G00125	7.55
11	63-01-606	Adjuster & Clamp Stud	G00121	8.25
12	63-07-607	Pivot Bolt	G00122	6.95
13	63-01-599A	Scraper (Roller)	G00123	8.75
14	63-01-149	Roller Greasing Bolt	G00124	6.95
15	63-01-695	Adjuster Stud (Roller)	G00126	5.35
16	63-07-038	Circlip Internal	GA170052	0.54
17	63-07-024	Gear Box Gasket	G00130	0.84
18	63-07-025	Motor gasket	G00129	0.84
PARTS BELOW FOR MK2A HEADS ONLY				
10	63-01-964	Adjusting bolt (cylinder)	G00133	7.95
11	63-01-966	Adjusting clamp stud	G00135	11.95
15	63-01-960	Adjusting stud roller	G00136	5.95
-	63-07-072	Wire roller scraper	G00134	6.95

TEL: (0114) 251 3344**FAX: (0114) 251 3000****sales@garfitts.com****E-MAIL****sales@tines.co.uk**

MODEL 1030 (10") CUTTERHEAD
 SUITABLE FOR 1030 CUTTERHEAD 10"ø CUTTING CYLINDER GANG MOWERS



9



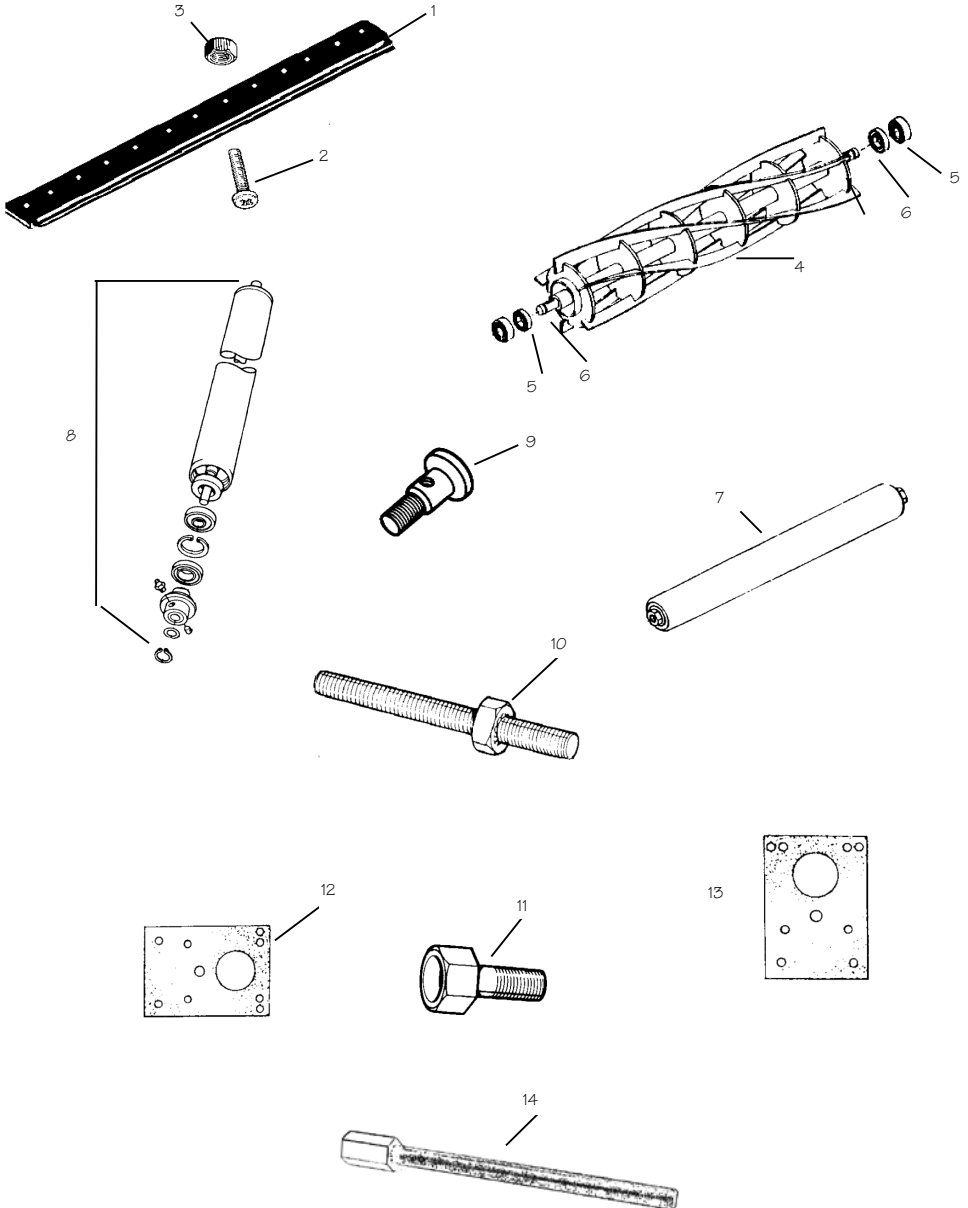
15

**MODEL 1030 (10") CUTTERHEAD
SUITABLE FOR 1030 CUTTERHEAD 10"ø CUTTING CYLINDER GANG MOWERS**

Key No	OEM Part No	Description	Our Part No	Price £
-	63-07-005	Bottom Blade 7 Hole Standard Cut	G00102	15.55
-	63-07-034	Bottom Blade 7 Hole Low Cut	G00104	15.75
1	63-07-066	Bottom Blade 13 Hole Standard Cut	G00107	17.95
1	63-07-067	Bottom Blade 13 Hole Low Cut	G00108	18.95
2	63-07-061	Screw, Bottom Blade (Allen Type)	G60042	0.31
3	ZNB5F000U	Nut for Bottom Blade Screw (Binx Stiffnut)	G60042A	0.32
4	63-07-069	4 Bladed Cutting Cylinder (10" Ø)	G00109	113.30
4	63-07-070	6 Bladed Cutting Cylinder (10" Ø)	G00110	119.95
7	63-07-045	Smooth Roller Assembly (as original) 3" diameter	G71013	83.15
7	N/A	Smooth Roller Assembly (as original) 2½" diameter	G71018	93.20
8	N/A	Heavy Duty Roller Assy c/w Replacable Bearings & Shaft	G71013HD	108.10
9		Roller Seal Kit (for G71013HD only)	G71013SK	22.50
5	63-07-036	Bearings - Cutting Cylinder	G00118	3.75
6	63-07-037	Oil Seal Cutting Cylinder Motor Side	G00119	2.35
6	63-07-038	Oil Seal - Cutting Cylinder	G00120	2.45
10	63-01-245	Adjuster	G00125	7.55
11	63-01-148	Grease Bolt	G00127	6.82
13	63-07-038	Adjuster Stud (Roller)	G00126	5.35
14	63-07-024	Gear Box Gasket	G00130	0.84
15	63-07-025	Motor gasket	G00129	0.84
16	63-01-143	Gear box and bearing housing pivot	G00131	4.75
17	63-01-113	Adjusting and clamp stud	G00132	10.95

FOR MK 3 CUTTER HEAD SEE PAGES 114 - 116

**E MAIL
sales@garfitts.com**

MODEL T44 1030A CUTTERHEAD
10" DIAMETER

**MODEL T44 1030A CUTTERHEAD
10" DIAMETER**

Key No	OEM Part No	Description	Our Part No	Price £
-	-	Bottom Blade 8 Hole Standard Cut	G00111	17.25
1	63-07-066	Bottom Blade 13 Hole Standard Cut	G00107	17.95
1	63-07-067	Bottom Blade 13 Hole Low Cut	G00108	18.95
2	63-07-061	Screw, Bottom Blade (Allen Type)	G60042	0.31
3	ZNB5F000U	Stiffnut	G60042A	0.32
4	63-07-069	4 Bladed Cutting Cylinder (10"Ø)	G00109	113.30
4	63-07-070	6 Bladed Cutting Cylinder (10"Ø)	G00110	119.95
7	63-07-079	Rear roller 3" diameter	G71013	83.15
8	SPECIAL	Heavy Duty Roller Assy with Replacable Bearings & Shaft	G71013HD	108.10
-		Roller Repair Kit (for G71013HD only)	G710135K	22.50
-	63-07-072	Wire scraper (Roller)	G00134	8.75
5	63-07-036	Bearings - Cutting Cylinder	G00118	3.75
6	63-07-037	Lip Seal Motor Side	G00119	2.35
6	63-07-038	Lip Seal	G00120	2.45
14	63-01-964	Adjusting bolt (cylinder)	G00133	7.95
9	63-01-966	Adjusting clamp stud	G00135	11.95
10	63-01-960	Adjusted Rear Roller	G00136	5.95
-	63-07-072	Roller Wire Scraper	G00134	6.95
11	63-01-148	Roller Grease Bolt	G00127	6.82
12	63-07-024	Gear Box Gasket	G00130	0.84
13	63-07-025	Hyd. Motor gasket	G00129	0.84
-	63-07-038	Circlip	GA170052	0.54

T44 FILTER SET (KUBOTA)

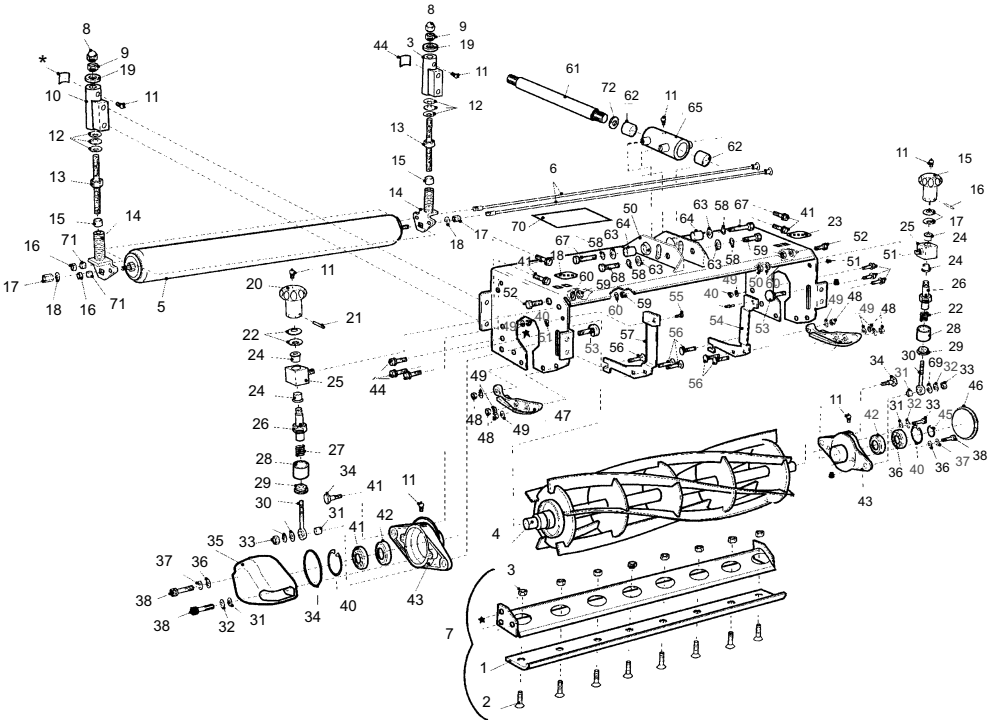
Key No	OEM Part No	Description	Our Part No	Price £
-	KUBOTA	Oil filter	G9071	5.95
-	KUBOTA	Fuel filter	G9070	4.85
-	KUBOTA	Air filter	GK9060	17.95
-	65-06-305	Suction filter	H65-06-305	18.41
-	74-06-018	Pressure filter	H74-06-018	16.16
-	65-06-314	Return filter	H65-06-314	29.54

HAYTER FM 514/524

Key No	OEM Part No	Description	Our Part No	Price £
1	861802	Bottom Blade 6mm	G07047	21.95
1	861803	Bottom Blade 10 mm (Standard)	G07048	21.95
2		Nut M8 Binx	G60046A	0.28
2		Screw Blade Fixing	G60046	0.26
3	860810	7B Cylinder	G00112	146.95
3	861810	11B Cylinder	G00113	169.95
4	63-07-036	Cylinder Bearing	G00118	3.75

Parts are not original. OEM part numbers are for reference purposes only.

MK 3 CUTTERHEAD
 SUITABLE FOR 8" & 10" Ø CUTTING CYLINDERS DIRECT DRIVE



MK 3 CUTTERHEAD
SUITABLE FOR 8" & 10" ø CUTTING CYLINDERS DIRECT DRIVE

Key No	OEM Part No	Description	Our Part No	Price £
1	876008	Bottom Blade 8 Hole Standard Cut	G00111	17.25
1	SPECIAL	Bottom Blade 8 Hole Low Cut	G00111L	18.25
2	09740	Bottom Blade Screw M10 X 25	G60044	0.30
3	ZNB5F000U	Bottom Blade Nut M10 Binx	G60044A	0.36
4	876100	Cylinder 4 Blade 8" Diameter	G00143	126.95
4	877020	Cylinder 6 Blade 8" Diameter	G00144	129.95
4	878020	Cylinder 8 Blade 8" Diameter	G00117	134.95
4	883025	Cylinder 4 Blade 10" Diameter	G00142	128.95
4	884031	Cylinder 6 Blade 10" Diameter	G00140	133.85
4	111-0556	Cylinder 8 Blade 10" Diameter	G00152	162.95
5	876006	Smooth Roller Assy 3" Diameter	G71027	79.95
6	63-07-072	Roller Scraper Wire	G00134	6.95
7	876060W	Bottom Blade Assembly	G876060W	113.95
8	ZNK1L000U	Nut M12 Dome	GZNK1L000U	0.79
9	ZNL1L000U	Nut M12 Lock	GZNL1L000U	0.61
10	876064W	Roller Mounting	G876064W	40.30
11	10-11-017	Grease Nipple BSP 1/8" Straight	G10-11-017	0.61
12	876099	Disc Spring 25 x 12.2 x 1.5mm	G 876099	0.58
13	63-01-960	Stud rear Adjusting	G00153	11.95
14	876027	Screw Adjuster	G876027	29.50
15	63-02-123	Spacer 26 x 38 x 12.5	G63-02-123	4.50
16	ZNNIF000U	Nyloc Nut M6	GZNNIF000U	0.60
17	876062	Nut Roller	G876062	4.85
18	4200	Spring Washer M16	G4200	0.61
19	876098	Cap Pressure Control	G876098	3.57
20	876013W	Handwheel	G876013W	8.50
21	09730	Pin Spirol 5 x 30	G 09730	0.61
22	876034	Disc Spring 35.5 x 18.3 x 1.25	G 876034	0.70
23	214053	Decal Cylinder on cut Adjuster	G214053	0.61
24	876082	Bearing 18 x 20 x 12 Flanged	G876082	2.46
25	876047	Trunnion	G 876047	11.95
26	876085	Adjuster Sleeve	G 876085	13.50
27	876003	Spring Compression	G876003	0.88
28	876053	Cage Backlash	G876053	8.80
29	876054	Nut Backlash	G 876054	5.60
30	876004	Bolt Swing	G00154	4.95
31	876035	Bearing 14 x 12 x 12	G876035	1.42
32	09599	Washer Spring M12	G09599	0.60
33	09454	Nut M12 Plain	G 09454	0.60
34	876022	Pin Pivot	G876022	3.60
35	876009W	Counterweight	G876009W	18.99
36	ZWQ1J000U	Washer Plain M10 HD	GZWQ1J000U	0.60
37	09480	Washer Spring M10	G09480	0.60
38	09718	Screw Soc Head Cap M10 X 40	G09718	0.60
39	876032	O Ring 2.987"	G876032	0.70
40	63-07-008	Circlip	G63-07-008	1.00
41	63-07-036	Bearing	G00118	3.25
42	63-07-038	Seal	G00120	2.45

MK 3 CUTTERHEAD
SUITABLE FOR 8" & 10" ø CUTTING CYLINDERS DIRECT DRIVE

Key No	OEM Part No	Description	Our Part No	Price £
43	876007W	Bearing,Casting	G 876007W	54.50
44	63-13-039	Decal,Height of cut Adjustment	G63-13-039	0.60
45	40-07-017	Circlip	G40-07-017	0.60
46	861808	Plug Motor Housing	G861808	0.58
47	876019W	Skid 200mm (To fit 8" Diameter Cylinder)	G876019W	16.50
47	884024W	Skid 254mm (To fit 10" Diameter Cylinder)	G 884024W	15.50
48	ZNN1J000U	Nut Nyloc M10	G ZNN1J000U	0.60
49	09479	Washer M10	G09479	0.50
50	876033V	Mainframe 200mm (To fit 8" Diameter Unit)	G 876033V	246.95
50	884007V	Mainframe 254mm (To fit 10" Diameter Unit)	G884007V	256.95
51	ZNN1F000U	Nut Nyloc 6mm	GZNN1F000U	0.60
52	ZDH1L016U	Setcrew M12 X 16	GZDH1L016U	0.60
53	876069	Pin Bearing Adjuster	G876069	10.69
54	876052W	Bracket Guard LH (To fit 8" Diameter Unit)	G876052W	13.33
54	884015W	Bracket Guard LH (To fit 10" Diameter Unit)	G 884015W	13.46
55	09362	Screw M6 X 16 Hex	G09362	0.60
56	09738	Bolt Carriage M10 X 35	G 09738	0.60
57	876057W	Bracket Guard RH (To fit 8" Diameter Unit)	G876057W	13.33
57	884016W	Bracket Guard RH (To fit 10" Diameter Unit)	G884016W	13.46
58	4200	Washer M16 Spring	G 4200	0.60
59	ZNB1L000U	Nut M12 Binx	GZNB1L000U	0.65
60	ZWP1L000U	Washer Plain M12	GZWP1L000U	0.60
61	65-05-120	Head Pivot Pin (To fit 8" Diameter Units)	G00138	11.95
61	65-05-127	Head Pivot Pin (To fit 10" Diameter Units)	G00139	11.95
62	876065	Bush 30 x 34 x 20	G00141	2.95
63	09491	Washer M16 Plain	G09491	0.60
64	922500	Bush 25 x 16 x 25	G922500	3.32
66	922115W	Fixed Pivot Csating	G922115W	51.58
67	ZDH1F050U	Setcrew M16 X 50	GZDH1F050U	0.58
68	09598	Setcrew M16 X 30 Hex Hd	G09598	0.63
69	09485	Washer M12 Plain	G09485	0.60
70	40-13-010	Decal Warning Hand & Feet	G40-13-010	0.60
71	340154	Bush 6.3 x 9.7 x 7	G340154	1.75
71	953900W	Spacer	G953900W	13.57

FOR T44 1030A CUTTERHEAD SEE PAGE 112 - 113