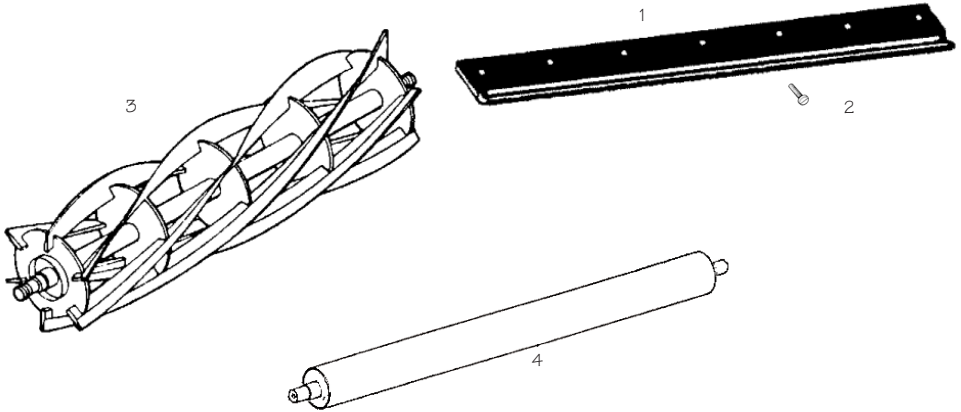


BLADES/CYLINDERS/ROLLERS

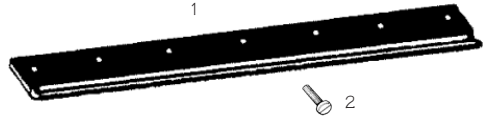
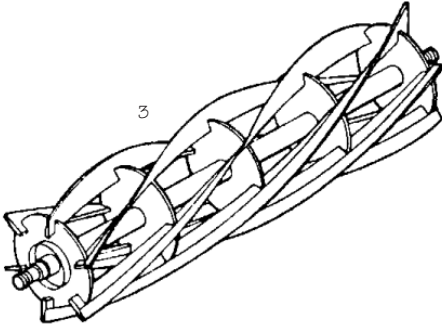


Key No	OEM Part No	Description	Our Part No	Price £
1	J20030	FT 510 Standard Blade (Shaver)	G00304	21.95
1	J20031	FT 510 Thick Blade (1/8")	G00308	21.95
1	J24030	FT 610 Standard Blade (Shaver)	G00301	22.95
1	J24031	FT 610 Thick Blade (1/8")	G00310	22.95
2		Bottom Blade Screw	G60012	0.21
3	J20040	FT 510 5B Cylinder	G00307	130.00
3	J20039	FT 510 9B Cylinder	G00306	134.95
3	J240040	FT 610 5B Cylinder	G00303	134.95
3	J240039	FT 610 9B Cylinder	G00302	140.00
4		FT 510 Roller	G00332	63.95
4	J24500	FT 610 Roller	G00334	65.95

ALL ORIGINAL EQUIPMENT MANUFACTURERS NAMES AND PART NUMBERS
ARE USED FOR IDENTIFICATION PURPOSES ONLY.

WE ARE NOT IMPLYING THAT THE PARTS ARE ORIGINAL EQUIPMENT PARTS

BLADES/CYLINDERS



Key No	OEM Part No	Description	Our Part No	Price £
1	195064	Bottom Blade 20" Paragon	G02001	12.75
1	67172	Bottom Blade 24" Premier	G02003	15.85
1	195063	Bottom Blade 24" Paragon	G02002	17.40
1	67171	Bottom Blade 30" Premier	G02004	25.95
1	8679/2	Bottom Blade 36" Premier, BSF Screw Fixing	G02005	28.95
1	-	Bottom Blade 36" Premier UNF Screw Fixing	G02005U	28.95
1	229229	G860 34" Blade	G00325	27.95
1	006717	G760 30" Blade	G00321	22.95
2	-	Screw, Bottom Blade, BSF	G60021	0.30
2	-	Screw, Bottom Blade, UNF	G60022	0.30
2	-	Screw Blade Fixing Kit	G60011	0.21
3	-	Cutting Cylinder 24" Paragon	G70082	124.95
3	-	Cutting Cylinder 24" Premier	G70206	124.95
3	-	Cutting Cylinder 30" Premier	G70207	239.95
3	-	Cutting Cylinder 36" Premier (split type 2" long drive shaft)	G70208	257.95
3	-	Cutting Cylinder 36" Premier (split type 4 3/4" drive shaft)	G70208L	239.95

ALL ORIGINAL EQUIPMENT MANUFACTURERS NAMES AND PART NUMBERS ARE USED FOR IDENTIFICATION PURPOSES ONLY.

WE ARE NOT IMPLYING THAT THE PARTS ARE ORIGINAL EQUIPMENT PARTS