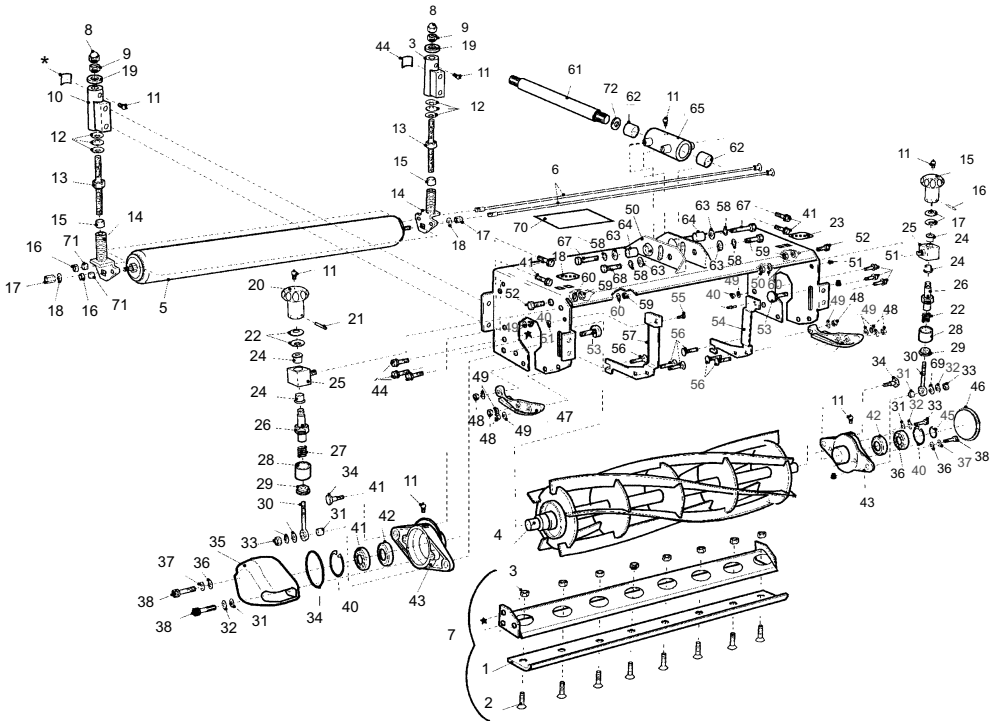


MK 3 CUTTERHEAD  
 SUITABLE FOR 8" & 10" Ø CUTTING CYLINDERS DIRECT DRIVE



**MK 3 CUTTERHEAD**  
**SUITABLE FOR 8" & 10" ø CUTTING CYLINDERS DIRECT DRIVE**

Key No	OEM Part No	Description	Our Part No	Price £
1	876008	Bottom Blade 8 Hole Standard Cut	G00111	17.25
1	SPECIAL	Bottom Blade 8 Hole Low Cut	G00111L	18.25
2	09740	Bottom Blade Screw M10 X 25	G60044	0.30
3	ZNB5F000U	Bottom Blade Nut M10 Binx	G60044A	0.36
4	876100	Cylinder 4 Blade 8" Diameter	G00143	126.95
4	877020	Cylinder 6 Blade 8" Diameter	G00144	129.95
4	878020	Cylinder 8 Blade 8" Diameter	G00117	134.95
4	883025	Cylinder 4 Blade 10" Diameter	G00142	128.95
4	884031	Cylinder 6 Blade 10" Diameter	G00140	133.85
4	111-0556	Cylinder 8 Blade 10" Diameter	G00152	162.95
5	876006	Smooth Roller Assy 3" Diameter	G71027	79.95
6	63-07-072	Roller Scraper Wire	G00134	6.95
7	876060W	Bottom Blade Assembly	G876060W	113.95
8	ZNK1L000U	Nut M12 Dome	GZNK1L000U	0.79
9	ZNL1L000U	Nut M12 Lock	GZNL1L000U	0.61
10	876064W	Roller Mounting	G876064W	40.30
11	10-11-017	Grease Nipple BSP 1/8" Straight	G10-11-017	0.61
12	876099	Disc Spring 25 x 12.2 x 1.5mm	G 876099	0.58
13	63-01-960	Stud rear Adjusting	G00153	11.95
14	876027	Screw Adjuster	G876027	29.50
15	63-02-123	Spacer 26 x 38 x 12.5	G63-02-123	4.50
16	ZNNIF000U	Nyloc Nut M6	GZNNIF000U	0.60
17	876062	Nut Roller	G876062	4.85
18	4200	Spring Washer M16	G4200	0.61
19	876098	Cap Pressure Control	G876098	3.57
20	876013W	Handwheel	G876013W	8.50
21	09730	Pin Spirol 5 x 30	G 09730	0.61
22	876034	Disc Spring 35.5 x 18.3 x 1.25	G 876034	0.70
23	214053	Decal Cylinder on cut Adjuster	G214053	0.61
24	876082	Bearing 18 x 20 x 12 Flanged	G876082	2.46
25	876047	Trunnion	G 876047	11.95
26	876085	Adjuster Sleeve	G 876085	13.50
27	876003	Spring Compression	G876003	0.88
28	876053	Cage Backlash	G876053	8.80
29	876054	Nut Backlash	G 876054	5.60
30	876004	Bolt Swing	G00154	4.95
31	876035	Bearing 14 x 12 x 12	G876035	1.42
32	09599	Washer Spring M12	G09599	0.60
33	09454	Nut M12 Plain	G 09454	0.60
34	876022	Pin Pivot	G876022	3.60
35	876009W	Counterweight	G876009W	18.99
36	ZWQ1J000U	Washer Plain M10 HD	GZWQ1J000U	0.60
37	09480	Washer Spring M10	G09480	0.60
38	09718	Screw Soc Head Cap M10 X 40	G09718	0.60
39	876032	O Ring 2.987"	G876032	0.70
40	63-07-008	Circlip	G63-07-008	1.00
41	63-07-036	Bearing	G00118	3.25
42	63-07-038	Seal	G00120	2.45

**MK 3 CUTTERHEAD**  
SUITABLE FOR 8" & 10" ø CUTTING CYLINDERS DIRECT DRIVE

Key No	OEM Part No	Description	Our Part No	Price £
43	876007W	Bearing,Casting	G 876007W	54.50
44	63-13-039	Decal,Height of cut Adjustment	G63-13-039	0.60
45	40-07-017	Circlip	G40-07-017	0.60
46	861808	Plug Motor Housing	G861808	0.58
47	876019W	Skid 200mm (To fit 8" Diameter Cylinder)	G876019W	16.50
47	884024W	Skid 254mm (To fit 10" Diameter Cylinder)	G 884024W	15.50
48	ZNN1J000U	Nut Nyloc M10	G ZNN1J000U	0.60
49	09479	Washer M10	G09479	0.50
50	876033V	Mainframe 200mm (To fit 8" Diameter Unit)	G 876033V	246.95
50	884007V	Mainframe 254mm (To fit 10" Diameter Unit)	G884007V	256.95
51	ZNN1F000U	Nut Nyloc 6mm	GZNN1F000U	0.60
52	ZDH1L016U	Setcrew M12 X 16	GZDH1L016U	0.60
53	876069	Pin Bearing Adjuster	G876069	10.69
54	876052W	Bracket Guard LH (To fit 8" Diameter Unit)	G876052W	13.33
54	884015W	Bracket Guard LH (To fit 10" Diameter Unit)	G 884015W	13.46
55	09362	Screw M6 X 16 Hex	G09362	0.60
56	09738	Bolt Carriage M10 X 35	G 09738	0.60
57	876057W	Bracket Guard RH (To fit 8" Diameter Unit)	G876057W	13.33
57	884016W	Bracket Guard RH (To fit 10" Diameter Unit)	G884016W	13.46
58	4200	Washer M16 Spring	G 4200	0.60
59	ZNB1L000U	Nut M12 Binx	GZNB1L000U	0.65
60	ZWP1L000U	Washer Plain M12	GZWP1L000U	0.60
61	65-05-120	Head Pivot Pin ( To fit 8" Diameter Units)	G00138	11.95
61	65-05-127	Head Pivot Pin ( To fit 10" Diameter Units)	G00139	11.95
62	876065	Bush 30 x 34 x 20	G00141	2.95
63	09491	Washer M16 Plain	G09491	0.60
64	922500	Bush 25 x 16 x 25	G922500	3.32
66	922115W	Fixed Pivot Csating	G922115W	51.58
67	ZDH1F050U	Setcrew M16 X 50	GZDH1F050U	0.58
68	09598	Setcrew M16 X 30 Hex Hd	G09598	0.63
69	09485	Washer M12 Plain	G09485	0.60
70	40-13-010	Decal Warning Hand & Feet	G40-13-010	0.60
71	340154	Bush 6.3 x 9.7 x 7	G340154	1.75
71	953900W	Spacer	G953900W	13.57

FOR T44 1030A CUTTERHEAD SEE PAGE 112 - 113