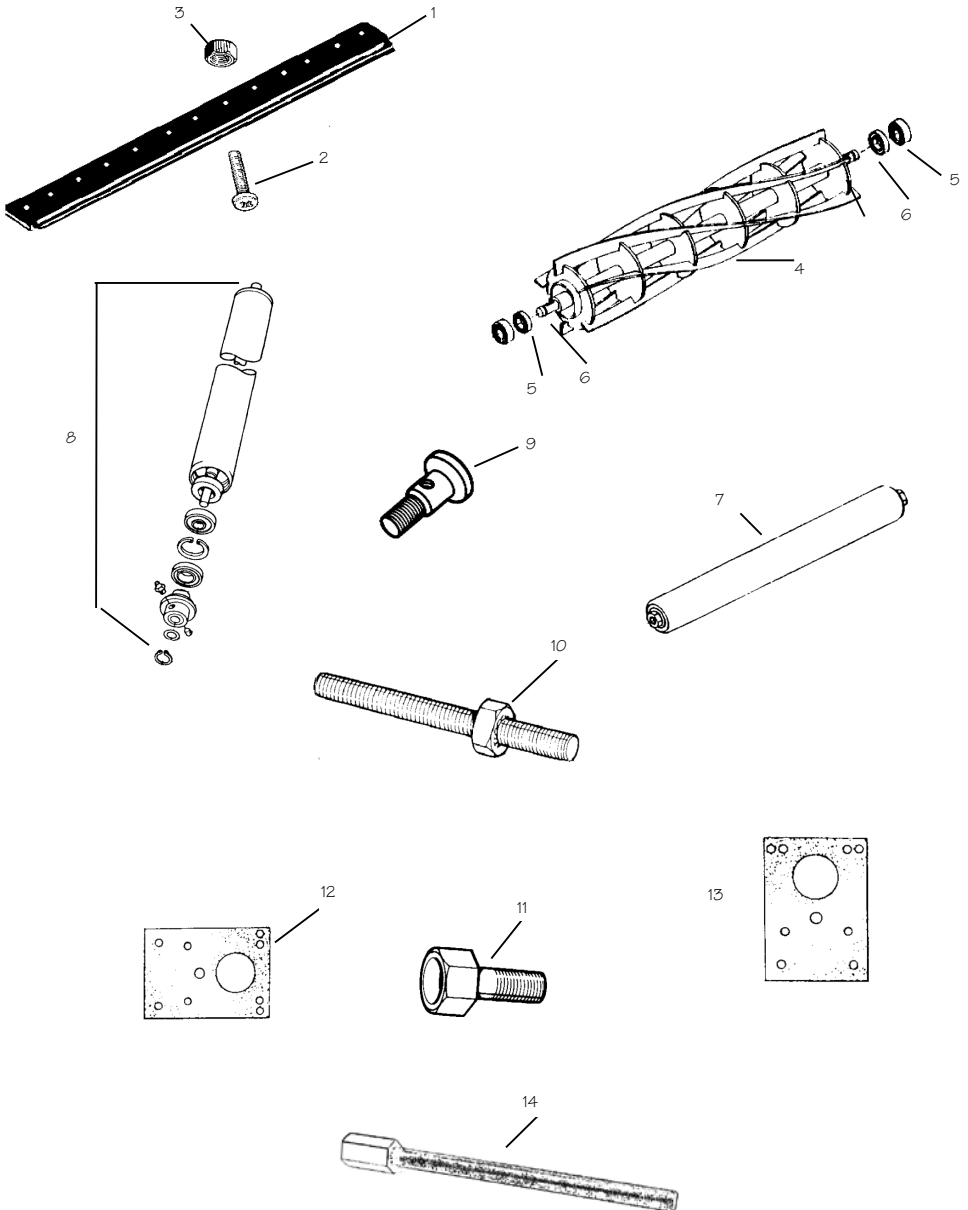


MODEL T44 1030A CUTTERHEAD
10" DIAMETER

**MODEL T44 1030A CUTTERHEAD
10" DIAMETER**

Key No	OEM Part No	Description	Our Part No	Price £
-	-	Bottom Blade 8 Hole Standard Cut	G00111	17.25
1	63-07-066	Bottom Blade 13 Hole Standard Cut	G00107	17.95
1	63-07-067	Bottom Blade 13 Hole Low Cut	G00108	18.95
2	63-07-061	Screw, Bottom Blade (Allen Type)	G60042	0.31
3	ZNB5F000U	Stiffnut	G60042A	0.32
4	63-07-069	4 Bladed Cutting Cylinder (10"Ø)	G00109	113.30
4	63-07-070	6 Bladed Cutting Cylinder (10"Ø)	G00110	119.95
7	63-07-079	Rear roller 3" diameter	G71013	83.15
8	SPECIAL	Heavy Duty Roller Assy with Replacable Bearings & Shaft	G71013HD	108.10
-		Roller Repair Kit (for G71013HD only)	G710135K	22.50
-	63-07-072	Wire scraper (Roller)	G00134	8.75
5	63-07-036	Bearings - Cutting Cylinder	G00118	3.75
6	63-07-037	Lip Seal Motor Side	G00119	2.35
6	63-07-038	Lip Seal	G00120	2.45
14	63-01-964	Adjusting bolt (cylinder)	G00133	7.95
9	63-01-966	Adjusting clamp stud	G00135	11.95
10	63-01-960	Adjusted Rear Roller	G00136	5.95
-	63-07-072	Roller Wire Scraper	G00134	6.95
11	63-01-148	Roller Grease Bolt	G00127	6.82
12	63-07-024	Gear Box Gasket	G00130	0.84
13	63-07-025	Hyd. Motor gasket	G00129	0.84
-	63-07-038	Circlip	GA170052	0.54

T44 FILTER SET (KUBOTA)

Key No	OEM Part No	Description	Our Part No	Price £
-	KUBOTA	Oil filter	G9071	5.95
-	KUBOTA	Fuel filter	G9070	4.85
-	KUBOTA	Air filter	GK9060	17.95
-	65-06-305	Suction filter	H65-06-305	18.41
-	74-06-018	Pressure filter	H74-06-018	16.16
-	65-06-314	Return filter	H65-06-314	29.54

HAYTER FM 514/524

Key No	OEM Part No	Description	Our Part No	Price £
1	861802	Bottom Blade 6mm	G07047	21.95
1	861803	Bottom Blade 10 mm (Standard)	G07048	21.95
2		Nut M8 Binx	G60046A	0.28
2		Screw Blade Fixing	G60046	0.26
3	860810	7B Cylinder	G00112	146.95
3	861810	11B Cylinder	G00113	169.95
4	63-07-036	Cylinder Bearing	G00118	3.75

Parts are not original. OEM part numbers are for reference purposes only.