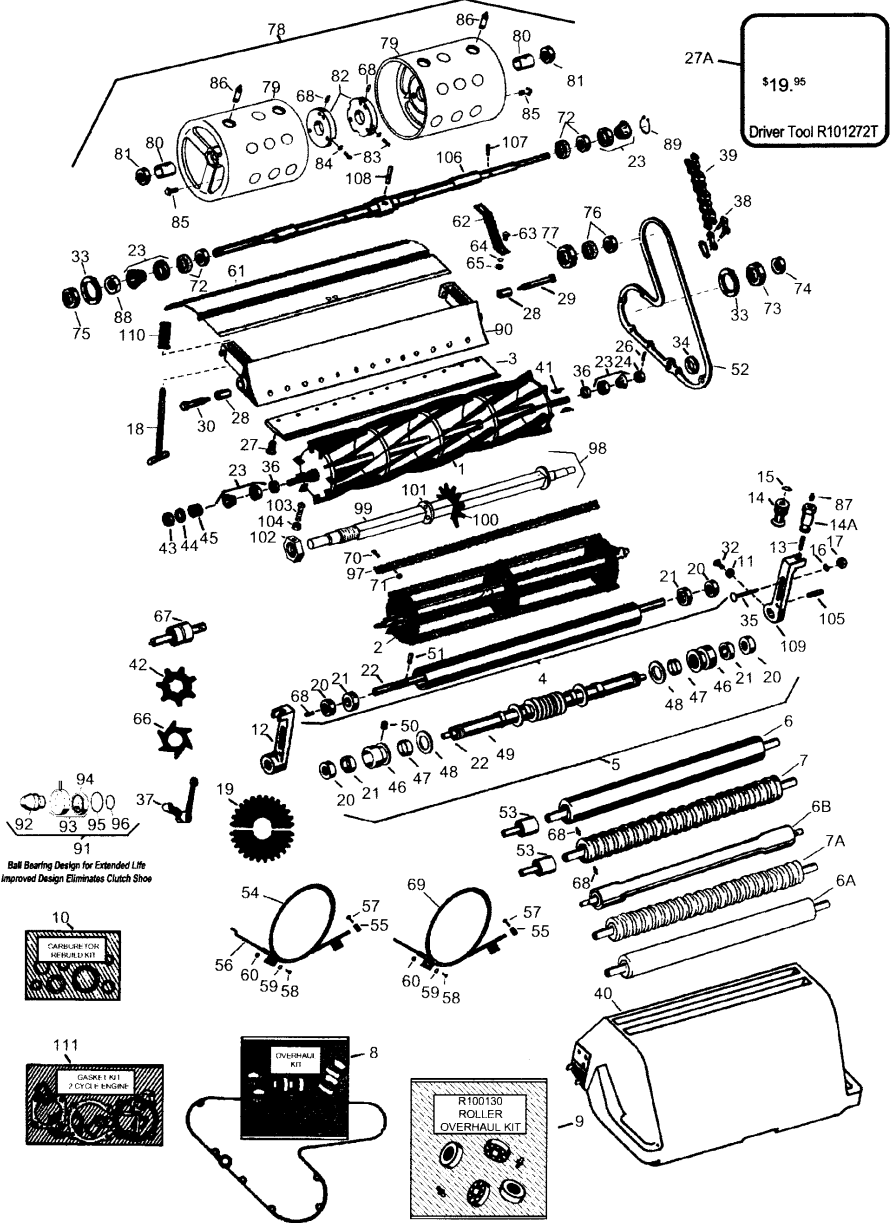


19" & 22" GREENSMOWER PARTS



**19" & 22" GREENSMOWER PARTS**

Key No	O.E.M Part No	Description	Our PartNo	Price £
Reels Available, Lifetime Guaranteed				
1	120427	Use R502768	G120427	
1	502768	22" Reel Assy., 9 Blade	G502768	129.95
1	5002605	22" Reel Assy., 11 Blade	G101355	141.95
1	503206	19" Reel Assy., 9 Blade	G503206	129.95
1	Only	19" Reel Assy., 11 Blade	G101350	134.95
2	Only	Brush Reel	G101489	110.95
Bedknives Available, Lifetime Guaranteed				
3		22" Bedknife (13 Hole) Tournament 1/16"	G101258	25.95
3		22" Bedknife (13 Hole) SuperThin 3/32"	G101259	21.95
3		22" Bedknife (13 Hole) SuperThin 3/32" Tungsten Tip	G101259TP	55.85
3	549504	22" Bedknife (13 Hole) Thin 1/8"	G101260	20.95
3		22" Bedknife (13 Hole) Standard 1/8" Tungsten Tip	G101260TP	53.30
3	549397	22" Bedknife (13 Hole) Thick 3/16"	G101261	19.95
3		19" Bedknife (11 Hole) Tournament 1/16"	G101273	24.95
3	503204	19" Bedknife (11 Hole) Super Thin 3/32"	G101264	19.95
3	503205	19" Bedknife (11 Hole) Thin 1/8"	G101263	19.45
Rollers Available				
4	158776	Front Roller Assembly 2" Dia 6 lbs weight	G158776	84.50
5	68527	Repairable Grooved Roller Assy. 2" Dia 9 lbs weight	G68527R	111.25
6	Only	Solid Front Roller, 2" Dia 19 lbs weight	G101126	103.95
6A	Only	Front UHMW Plastic Solid Roller 2" Dia 7 lbs weight	G101336	85.25
6B	Only	Front Swagged Roller 2" Dia 4 lbs weight	G101122	84.95
7	68577	Machined Grooved Roller, Greasable 2" Dia 15 lbs weight	G68577	118.95
7		Aluminum Machined Grooved Roller, Greasable 2" Dia 5 lbs weight	G101123	109.95
7A	Only	UHMW Plastic Grooved Roller 2" Dia 7 lbs weight	G101330	91.95
Minuteman Rollers Available				
	MJ2001	Minuteman Front Grooved Roller Assy., with brackets	GMJ2001	189.00
	M511	Minuteman 22" Grooved Front Roller Only	GM511	145.00
	J121	Minuteman Front LH & RH Bracket	GJ121	30.00
	MMB157	Minuteman Bearing & Locking Collar	GMMB157	11.95
R&R Overhaul Kits Available				
8	Only	Cutting Unit Overhaul Kit Includes gaskets, seals, bearings, and cups to rebuild one cutting unit 1 ea.: G329037, G304757; 2 ea.: G304736, G500534; & 3 ea.: G304747	G506557	19.85
8	Only	Cutting Unit Overhaul Kit, 1984 & Up Includes gaskets, seals, bearings, and cups to rebuild one cutting unit 1 ea.: G329037, G304757, G343667, G303566, G313777, G303490, G337678 2 ea.: G337677, G304736; 3 ea.: G304747; 4 ea.: G500534	G506558	53.95
8	Only	Overhaul Kit, 1983 & Prior Includes gaskets, seals, bearings, and cups to rebuild one cutting unit 1 ea.: G329037, G304757, G343667, G303566, G313777, G303490, G304751 ea.: G304736, G325652; 3 ea.: G304747; 4 ea.: G500534	G506559	48.85
9	Only	Roller Overhaul Kit Includes seals, bearings, and grease zerks to rebuild one roller 2 ea.: G302-5, G303558, & G305115	G100130	22.85
10	112695	Gasket Kit (Carburetor), 2 Cycle Eng., J501	G112695	2.45

Continues Next Page >>>>>

## 19" &amp; 22" GREENSMOWER PARTS

Key No	O.E.M Part No	Description	Our PartNo	Price £
11	443102	HexNut, 1/4"-20	G443102	0.10
12	153980	Bracket Assy., R.H., Front	G153980	21.95
13	343616	Stud	G343616	3.75
14	343617	Adjusting Knob	G343617	8.55
14A	365009	Adjusting Knob, New Style	G365009	9.80
15	472518	Plug, Adjusting Knob	G472518	0.28
16	446136	Lockwasher 5/16	G446136	0.10
17	443106	Nut 5/16-18	G443106	0.10
18	332516	Adj. Rod	G332516	6.10
19	314184	Disc, Clutch Friction (Set of 2)	G364880	18.95
19	364880	Use G314184	G364880	
20	305115	Seal Roller	G305115	3.05
21	303558	Bearing, Roller	G303558	7.98
22	102030	Front Roller Shaft	G102030	23.05
23	500534	Bearing Assy., Cup & Cone, Reel, Timken	G500534	7.05
24	325654	Collar, Reel Shaft	G325654	5.95
26	461173	Grooved Pin, 5/32 x 1	G461173	0.30
27	402578	Screw, Bedknife(11Rea for19"B.K.)"	G101272	0.18
27A	Only	Bedknife Screw Driver Tool	G101272T	20.95
28	545940	Bushing, B.K. Shoe Mounting	G545940	3.95
29	347168	Backing Bar Stud, L.H. (3 1/2 in.)	G347168	21.99
30	347169	Backing Bar Stud, R.H. (2 5/16 in.)	G347169	19.95
32	352737	Screw, Sq. Hd. Set, 1/4 x 7/8	G352737	0.34
33	304747	Gasket, Transport Wheel Brg. Hsg.	G304747	0.36
34	304757	Gasket, Reel ShaftCover	G304757	0.56
35	441674	Carriage Screw, 5/16" x 1 3/4"	G441674	0.44
36	304736	Seal, Reel	G304736	2.75
37	239043	Lever Clutch	G239043	20.55
38	470503	Link, Chain #41	G470503	0.65
38		Offset Link, Chain :741	G4100*	0.96
39	500325	Chainwith Link (Reel toTraction Shaft)	G500325	5.45
39	500326	Chainwith Link (PTO to Reel)	G500326	5.45
40	68110	Use R101540	G68110	
40	Only	Heavy Duty Grass Basket	G101540	99.95
41	463113	Key, Reel Hi-Pro	G463113	0.40
42	363014	Verti-Cut Blade 2 3/8" Dia.	G363014	0.66
43	444713	Nut, Hex Center Lock	G444713	0.85
44	453020	Flat Washer, 5/8"	G453020	0.18
45	363047	Spring, Reel	G363047	2.20
46	Only	2" Threaded Roller End	G150650	26.45
47	Only	Spacer, Repairable Grooved Roller	G150651	0.42
48	Only	Washer, Repairable Grooved Roller	G150652	0.38
49	Only	Threaded Tube	G150654	16.45
50	Only	Nyloc Set Screw, 1/4"-20 x 1/4"	G150690	0.40
51	461359	Roll Pin, 1/8" x 3/4"	G012419	0.13
52	329037	Cover Gasket	G329037	3.83
53		Bearing, Machined Grooved Roller & Solid (19lb.) Roller	G101481	15.25
54	154034	Throttle Wire Housing**, B4 & Prior	G154034	6.25
55	303962	Stud, Throme Wire~, B4 & Prior, Incl #57	G303962	2.95

Continues Next Page &gt;&gt;&gt;&gt;&gt;

**19" & 22" GREENSMOWER PARTS**

Key No	O.E.M Part No	Description	Our Part No	Price £
56	342686	Wire, Throttle**, 84 & Prior ** Fits 2 Cycle Engine Only	G342686	2.25
57	402056	Screw, 8-32 x 3/8, Throttle Wire Stud	G402056	0.12
58	403936	Screw, 10-32 x 3/8, Throttle Housing	G403936	0.15
59	446116	Lockwasher #10	G446116	0.08
60	444312	Nut, 10-32	G444312	0.07
61	331722	Use R500614	G331722	
61	500614	GrassShield	G500614	29.95
62	315183	Brace, Grass Shield, 1984 & Prior	G315183	2.95
62	363328	Brace, Grass Shield, 1985 & On	G363328	3.95
63	400102	Bolt, 1/4-20 x 3/8 Hex Hd.	G400102	0.24
64	446130	Lockwasher, 1/4"	G3253-3	0.09
65	443102	Nut, 1/4-20 Hex	G443102	0.10
66	363808	V-Cut Blade, Fits 2" Dia. Groomer (77Req for 19")	G363808	0.60
67	554571	Bearing, Fits Groomer Blade Shaft	G554571	26.45
68	471226	Grease Zerk	G302-5	0.52
69	163541	Throttle Cable Assy., 4 Cycle Engine	G163541	10.25
70	Only	Bolt, 8-32 x 5/8 Hex Hd.	G150425	0.10
71	Only	Locknut, 8-32	G3296-9	0.24
72	337677	Seal, Traction Shaft, 1984 & Up	G337677	2.65
72	325652	Seal, Cork, Traction Shaft, 1983 & Prior	G325652	0.68
73	303566	Bearing, L.H. Traction Shaft Support	G303566	4.95
74	313777	Oil Seal, L.H. Traction Shaft Support	G313777	2.65
75	343667	Bearing, R.H. Traction Shaft Support	G343667	5.55
76	337678	Seal, Clutch Shaft Bearing, 1984 & Up	G337678	3.05
76	304751	Seal, Cork, Clutch Shaft Bearing, 1983 & Prior	G304751	0.48
77	303490	Bearing, Clutch Shaft	G303490	4.95
78	50326	Traction Roller Assy, Ind 2 ea. #68, 79-82, 86, 6 ea. #83-84 & 8 ea. #85	G503268	374.95
79	163523	Shell, Aluminum Traction Roller, Incl. #80, 81 & 86	G163523	169.95
80	304569	Bushing, Traction Shell	G304569	4.65
81	364170	Seal, Traction Shell	G364170	2.55
82	338394	Hub, Traction Roller	G338394	30.95
83	400190	Bolt, 5/16-18 x 1 1/4 Hex	G400190	0.20
84	446136	Lockwasher, 5/16	G446136	0.08
85	364171	Bolt, 5/16-18 x 1 1/4 Hex Washer Hd. Nyloc	G364171	0.70
86	471222	Grease Zerk w/Extension	G471222	1.78
87	471219	Grease Zerk, 1/8" Pipe Thread	G471219	1.30
88	444742	Nut, Gripco Center Lock, 3/4-16	G444742	0.78
89	458013	Retaining Ring, 3/4"	G458013	0.40
90	121855	Use R220289	G121855	
90	220289	Bed Bar	G220289	93.45
91	Only	Clutch Shifter Assy	G101150	39.95
92	Only	Throw out Sleeve, Hardened	G101151	16.95
93	Only	Shifter w/Bearing	G101152	23.95
94	Only	Ball Bearing, Shifter	G101153	7.95
95	Only	Retaining Ring, Shifter	G101154	0.95
96	Only	Retaining Ring, Throw out Sleeve	G101155	0.65
97	Only	Brush with Frame, Brush Reel	G150481	19.45
98	Only	Vertical Mower Conversion Kit, Inc. #99-102	G101162	249.95
99	Only	Shaft, Vertical Mower	G101161	109.95
100	Only	Blade, Vertical Mower	G101160	3.70
101	352221	Spacer, Nylon	G352221	0.68

Continues Next Page >>>>>

## 19" &amp; 22" GREENSMOWER PARTS

Key No	O.E.M Part No	Description	Our PartNo	Price £
102	352437	Nut, Incl #103 & 104	G352437	5.95
103	412017	Screw, Sq. Hd. Set	G412017	0.60
104	443106	Nut, Jam	G443106	0.10
105	461256	"Pin, 1/4" x 1"	G461256	0.35
106	502382	Use G117036	G502382	
106	117036	Shaft, Traction Roller with Pin	G117036	169.50
107	344982	Pin, Traction Shaft Wheel	G344982	0.79
108	308028	Pin, Hardened	G308028	5.50
109	153979	Bracket Assy., L.H. (Front)	G153979	22.52
110	307360	Spring, Bed Bar	G307360	4.35
2 CYCLE ENGINE PARTS:				
	312437	Bearing	G312437	7.15
	325472	Seal, Engine	G325472	2.40
	325473	Bearing, Engine	G325473	4.95
	325485	Seal, Engine	G325485	4.05
	308594	Mumer Mounting Gasket	G308594	0.78
	309749	Gasket, Cyl. Head	G309749	0.96
	309761	Gasket, Exhaust Pipe	G309761	0.44
	313336	Gasket, Reed Plate	G313336	0.29
	325488	Gasket, Carburetor Mtg.	G325488	0.30
	326728	Gasket, Mumer	G326728	0.88
	341792	Gasket, Crankcase Head	G341792	0.75
	341793	Gasket	G341793	0.85
	341794	Gasket, Backplate	G341794	0.77
2 CYCLE ENGINE GASKET KIT				
111	500035	Gasket Kit, Engine	G500035	5.45
Incl. 1ea.		Muffler Mounting Gasket	G308594	
		Gasket, Cyl. Head	G309749	
		Gasket, Exhaust Pipe	G309761	
		Gasket, Reed Plate	G313336	
		Gasket, Carburetor Mtg.	G325488	
		Gasket, Backplate	G341794	
		Gasket	G341793	
		Gasket, Crankcase Head	G341792	
		Gasket, Muffler	G326728	

ALL ORIGINAL EQUIPMENT MANUFACTURERS NAMES AND PART NUMBERS  
ARE USED FOR IDENTIFICATION PURPOSES ONLY.

WE ARE NOT IMPLYING THAT THE PARTS ARE ORIGINAL EQUIPMENT PARTS

(UNLESS REFERED TO AS GENUINE)