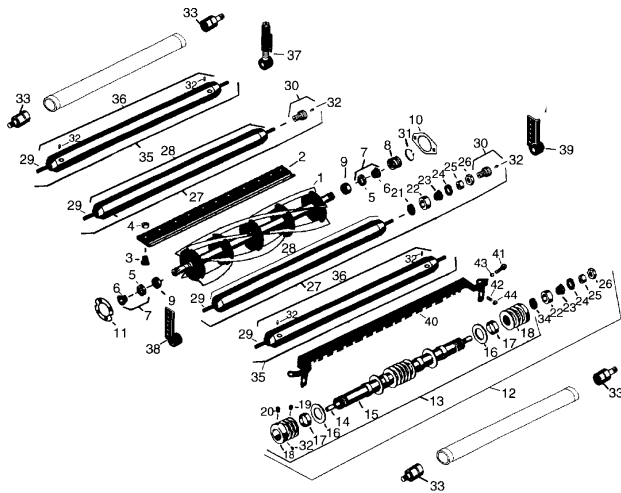


TRIKING 1671D & 1684D WITH 26" & 30" Hydraulic Cutting Units



Key No	Description	Our Part No	Price £
5	OVERHAUL KIT Seals, Bearings & Gasket for one Cutting Unit 1 x G338362 Outer Oil Seal 1 x G364147 Cover Gasket 2 x G500596 Bearing Cup & Cone 2 x G337593 Inner Oil Seal	G100131	23.95
6	GROOVED ROLLER OVERHAUL KIT Bearings, Seals, Wear Sleeves & Nuts to rebuild one Grooved Front Roller 1 x G3296-15 Jam Locknut 2 x G302-5 Grease Nipple 2 x G253-122 Inner Seal 2 x G253-117 Outer Seal 2 x G5-4038 Wear Sleeve, Hardened 2 x G254-78 Bearing Cone 2 x G254-79 Bearing Cup	G100137	38.75
7	SOLID ROLLER OVERHAUL KIT Bearings, Seals, Wear Sleeves & Nuts to rebuild one Solid Front Roller 2 x G3296-15 Jam Locknut 2 x G253-152 Inner Seal 2 x G253-117 Outer Seal 2 x G5-4038 Wear Sleeve, Hardened 2 x G254-78 Bearing Cone 2 x G254-79 Bearing Cup 2 x G302-5 Grease nipple	G100138	35.75

Parts are not original. OEM part numbers are for reference purposes only.