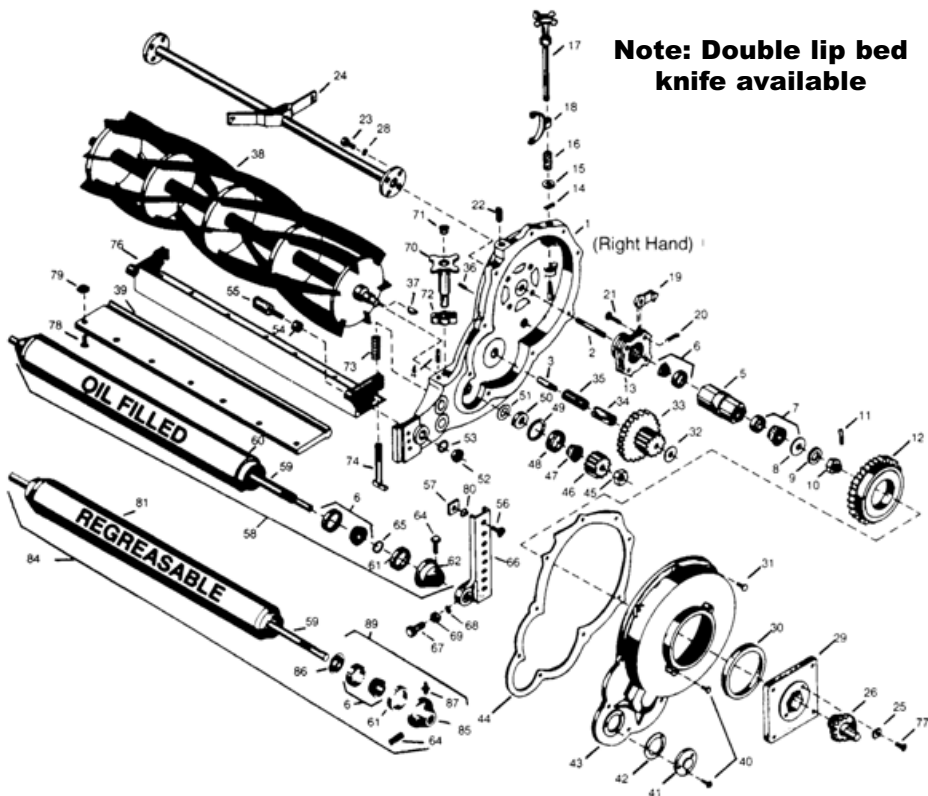


FAIRWAY
MOWING UNIT

Note: Double lip bed knife available



e-mail
sales@garfitts.com

**FAIRWAY
MOWING UNIT**

Key No	OEM Part No	Description	Our Part No	Price £
1	154499	Gear Housing LH, including nos. 2-4 & 48	G154499	161.65
1	154500	Gear Housing RH, including nos. 2-4 & 48	G154500	155.95
2	545515	Stud, Ground Wheel	G545515	8.35
3	315851	Internal Stud	G315851	6.55
4	461406	Roll Pin	G461406	0.55
5	500236	Cylinder, Wheel with 1 G500533 & G500534	G500236	42.95
6	500534	Bearing & Cup, Roller	G500534	7.95
7	500533	Bearing, Cup & Ring	G500533	7.35
8	311957	Nilos Ring	G311957	1.55
9	453022	Washer, 3/4 SAE	G453022	0.20
10	445686	Axle Nut, 3/4-16 Castle	G445686	1.60
11	460028	Cotter Pin 1/8 x 1	G460028	0.13
12	203976	Main Gear, Ductile Iron	G203976	66.75
13	203975	Wheel, Pawl Carrier	G203975	55.95
14	460026	Cotter Pin, 1/8 x 3/4	G460026	0.10
15	315861	Washer	G315861	0.40
16	316765	Spring, RH	G316765	1.95
16	316766	Spring, LH	G316766	1.95
17	153215	Release Handle	G153215	14.85
18	203968	Fork, Release	G203968	15.95
19	204871	Pawl, Main Gear, Ductile Iron	G204871	3.18
20	460012	Cotter Pin, 3/32 x 3/4	G460012	0.10
21	315867	Hardened Pin, Pawl	G315867	0.29
22	472205	3/8" Plug	G472205	0.68
23	400406	Bolt, Hex Head 1/2-13 x 1 1/4	G400406	0.68
24	108096	Axle, Main Fairway	G108096	78.95
25	327676	Tab, Locking	G327676	0.51
26	204119	Cap, Hub	G204119	12.92
28	446152	Lockwasher, 1/2"	G446152	0.10
29	203984	Hub, Ground Wheel	G203984	59.95
30	315967	Seal, Cover	G315967	4.83
31	407706	Screw, Housing Cover	G407706	0.18
32	302295	Washer, Fwy	G302295	0.24
33	331834	Internal Gear, Ductile Iron	G331834	49.82
34	315978	Sleeve, Roller Bearing	G315978	0.90
35	315977	Roller Bearing, Internal Gear	G315977	3.05
36	472203	1/4" Plug	G472203	0.58
37	315877	Key, Pinion	G315877	0.88
38	502671 108127	Cylinder, 6 Blade 8"Ø	G502671	135.15
38	-	Cylinder, 8 Blade 8"Ø	G502672	145.55
38	502675 101800	Cylinder, 10 Blade 8"Ø	G502675	151.75
38	502676 108125	Cylinder, 5 Blade 8"Ø	G502676	123.50
39	325163	DL Bed Knife 1/2" H.O.C. Single Lip	G101250	21.55
39	315834	DL Bed Knife 1/2" H.O.C. Double Lip	G101251	28.95
40	408052	Screw, 12-24 x 1/2 Binding Head	G101270	0.26
41	352635	Cap, Cover	G352635	1.45

**e-mail
sales@garfitts.com**

Continues Next Page >>>>>

**FAIRWAY
MOWING UNIT**

Key No	OEM Part No	Description	Our Part No	Price £
42	315876	Gasket, Inspection Plate	G315876	0.27
43	203986	Cover, Housing	G203986	33.95
44	315928	Cover Gasket	G315928	1.96
45	444742	Nut, Gripco Center Lock 3/4-16	G444742	0.78
46	315843	Pinion Gear	G315843	13.35
47 & 48	500711	Bearing & Cup, Cylinder	G500711	10.75
47	315914	Cone, Cylinder	G315914	6.67
48	302755	Cup, Cylinder	G302755	3.41
49	315910	Spacer	G315910	0.53
50	315872	Seal, Cylinder	G315872	2.05
51	315873	Washer, Seal	G315873	0.23
52	443828	Nut, 5/8-16	G443828	0.36
53	447224	Internal Star, Lockwasher, 5/8"	G447224	0.21
54 & 55	500264	Stud & Bushing, Bed Knife Backing	G500264	11.55
54	545723	Bolt, Hex Head 3/8-16 x 1 1/2	G545723	3.10
55	315909	Stud, Bed Knife Backing	G315909	8.25
56	400266	Bolt, Hex Head 3/8-16 x 1 1/2	G400266	0.34
57	444510	Nut, 3/8-16 Sq.	G444510	0.21
58	113897	Roller Complete	G113897	113.95
59	328058	Shaft, Roller	G328058	22.95
60	113898	Tube, Roller with Races, fits G113897	G113898	60.50
61	328062	Seal, Roller	G328062	2.80
62	500574	Roller Collar, Hardened	G500574	22.75
64	412063	Screw, Square Head Set	G412063	0.59
65	459007	O-Ring, Roller	G459007	0.40
66	500763	Bracket, Roller LH, including nos. 67, 68 & 69	G500763	22.80
66	500764	Bracket, Roller RH (shown), including nos. 67, 68 & 69	G500764	22.80
67	412003	Screw, 1/2-13 x 1 1/2 Square Head	G412003	0.60
68	446154	Lockwasher, 1/2 Heavy	G446154	0.13
69	443818	Nut, 1/2-13 Hex Jam	G443818	0.21
70	500548	Adjusting Handle	G500548	15.59
71	312794	Plug, Adjusting Handle	G312794	0.12
72	315964	Spring Friction	G315964	1.15
73	315966	Adjusting Spring	G315966	1.85
73	315844	Adjusting Spring (Special Worn Cylinder)	G315844	2.95
74	315965	Adjusting Screw, Fwy	G315965	3.98
76	130304	Backing, Bed Knife, including no.54	G130304	125.00
77	400106	Bolt, Hex Head 1/4-20 x 5/8	G400106	0.15
78	402698	Screw, Bed Knife	G101270	0.26
79	445684	Nut, Bed Knife	G101271	0.26
80	446142	Lockwasher, 3/8"	G446142	0.12
81	-	Regreasable Tube Assembly, fits G700500	G700503	62.95
84	-	Regreasable Roller Assembly, Complete	G700500	124.75
85	-	Regreasable Roller End, Hardened	G700501	25.46
86	-	Grease Retainer	G700502	0.95
87	-	Grease Fitting 1/4-28	G302-5	0.52
88	-	Overhaul Kit, Bearings, Gaskets Seals etc. for 1 Cutting Unit	G500600	76.85
89	-	Oil Filled Regreasable Roller Conversion Kit	G700505	65.95
90	-	Oil Filled Roller Overhaul Kit, Bearings, Seals, Roller Collars & O-Rings to rebuild one Oil Filled Roller	G100140	59.45

Parts are not original. OEM part numbers are for reference purposes only.