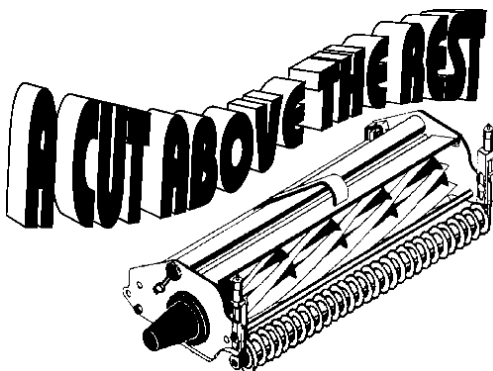


**CUTTING UNIT
LF100 & LF128**



£815.00

G101235R (RIGHT HAND)
G101235L (LEFT HAND)

THIS UNIT CAN BE SUPPLIED WITH 5 OR
7 BLADED CYLINDER, MACHINED OR
REPAIRABLE FRONT, GROOVED OR
SOLID ROLLERS.

**COMPLETE WITH 7 BLADE HEAVY DUTY CYLINDER, HEAVY DUTY BED
KNIFE, 3"Ø GROOVED FRONT ROLLER AND SOLID REAR ROLLER**

**VERTI-CUT UNIT
GREENSKING (MK II/IV) TF60 & LF100**



£755.00

G101206L (LEFT HAND)
REPLACES JACOBSEN 68549

G101206R (RIGHT HAND)
REPLACES JACOBSEN 68550

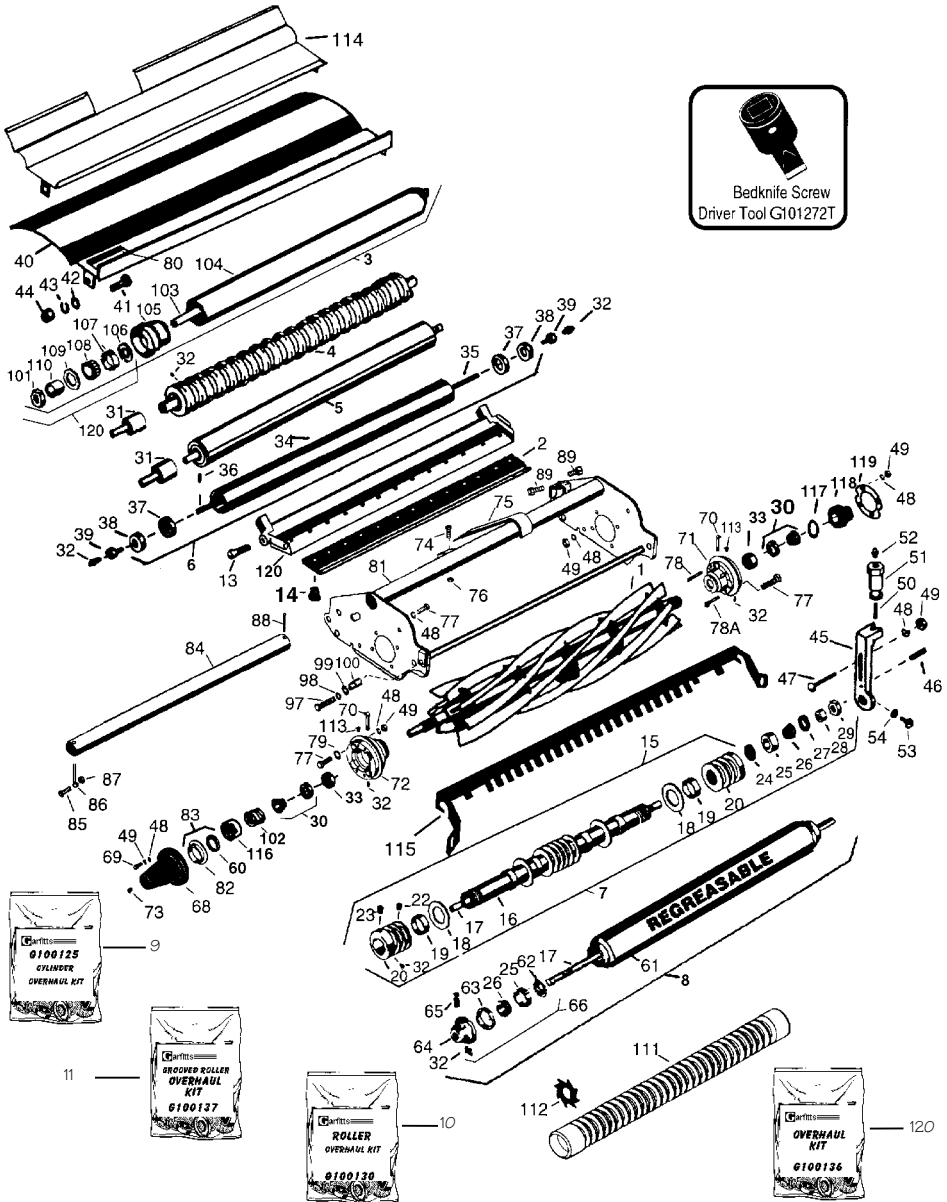
**COMPLETE WITH VERTI-CUT CYLINDER
SOLID REAR & FRONT ROLLERS**

Verti-Cut Units easily replace regular cutting units for removal of thatch buildup. Verti-Cut Units come completely assembled, ready for operation with Verti-Cut blades made of tempered spring steel





SEE JACOBSEN GREENSKING SECTION FOR FULL PARTS LIST

TEL: (0114) 251 3344
FAX: (0114) 251 3000

LF100, LF123 & LF128



LF100, LF123 & LF128

Key No	OEM Part No	Description	Our Part No	Price £
Cylinders Available				
1	503319	Cylinder Assembly, 7 Blade LH	G503319	127.95
1	503320	Cylinder Assembly, 7 Blade RH	G503320	127.95
1	503321	Cylinder Assembly, 5 Blade LH	G503321	119.95
1	503322	Cylinder Assembly, 5 Blade RH	G503322	119.95
Bed Knives Available				
2	503257	Bed Knife, 7/16" H.O.C.	G503257	20.95
2	503257	Bed Knife, 7/16" H.O.C. (Tungsten Tip)	G503257TP	58.20
Rollers Available				
3	-	Heavy Duty Rear Roller with Tapered Roller Bearings complete	G100105	119.95
4	-	Rear Machined Grooved Roller, Greasable, Including No. 31	G101120	113.30
5	-	Solid rear assembly, 2" dia. (19lbs.)	G68597	101.95
6	162916 162916	Rear Roller Assembly	G158777	84.50
7	116904	Grooved Roller, 3" Front	G100100	166.95
8	-	3" Solid Front Roller Assembly, Regreasable	G700530	109.20
Overhaul Kits Available				
9		CUTTING UNIT OVERHAUL KIT	G100125	24.90
		Gaskets, Seals, etc. for One Cutting Unit 1 x G337677 Oil Seal Cylinder, 1 x G337370 Coupling, Splined, 2 x G336962 Oil Seal Cylinder, 1 x G458013 Retaining Ring, 1 x G364901 Gasket, Cylinder Motor 2 x G500534 Bearing & Cup, Cylinders		
10		GROOVED ROLLER OVERHAUL KIT	G100137	39.95
		Bearings, Seals, Wear Sleeves & Nuts to Rebuild One Grooved Front Roller 2 x G3296-15 Jam Locknut, 2 x G302-5 Grease Nipple, 2 x G253-122 Inner Seal, 2 x G253-117 Outer Seal 2 x G254-78 Bearing Cone, 2 x G254-79 Bearing Cup 2 x G5-4038 Wear sleeve, roller assy.		
11		ROLLER OVERHAUL KIT	G100130	22.85
		Bearings & Seals to Rebuild One Rear Roller 2 x G302-5 Grease Nipple, 2 x G303558 Bearing 2 x G305115 Seal		
12		HEAVY DUTY ROLLER OVERHAUL KIT	G100138	36.15
		Bearings, Seals, Wear Sleeves & Nuts to Rebuild One Solid Front Roller 2 x G3296-15 Jam Locknut, 2 x G302-5 Grease Nipple 2 x G253-152 Inner Seal, 2 x G253-117 Outer Seal 2 x G254-78 Bearing Cone, 2 x G254-79 Bearing Cup 2 x 150674 Wear Sleeve Hardened		
Other Parts Available				
13	315298	Bolt, Bed Bar	G315298	1.48
14	402578	Plated Screw, Bed Knife	G101272	0.20
14	-	Bed knife Screw driver tool	G101272T	20.95
15	-	Tube Assembly, Repairable Grooved Roller	G100101	111.95
16	-	Tube Only, Repairable Grooved Roller	G100104	28.45
17	-	Shaft, Front Roller	G100102	22.95
18	-	3" Washer, Repairable Grooved Roller	G150673	0.60
19	-	Spacer, Repairable Grooved Roller	G150671	0.62
20	-	3" Repairable Groover Roller End	G100103	41.95
21	415521	Set Screw	G415521	0.22
22	-	Nyloc Set Screw, 3/8"-16 x 3/8"	G150691	0.55
23	-	Relief Fitting, Pressure	G170714	4.19
24	-	Inner Seal, Roller Assembly	G253-122	2.38
25	-	Bearing Cup	G254-79	2.85
26	-	Bearing Cone	G254-78	4.15
27	-	Outer Seal, Roller Assembly	G253-117	3.34

LF100,LF123 & LF128

Key No	OEM Part No	Description	Our Part No	Price £
28	-	Wear Sleeve, Roller Assembly	G150674	6.65
29	-	Locknut, Jam	G3296-15	1.31
30	500534	Bearing Set, Cylinder	G500534	7.95
31	-	Bearing, Rear Machined Grooved Roller Only	G101482	15.95
32	-	Grease Nipple	G302-5	0.52
33	336962	Oil Seal, Cylinder	G336962	2.95
34	129594/131426	Tube, Rear Roller	G129594	40.95
35	154909/345469	Rear Roller Shaft	G154909	23.05
36	461359	Roll Pin, 1/8" x 3/4"	G012419	0.15
37	303558	Bearing, Roller	G303558	7.98
38	305115	Seal, Roller	G305115	3.05
39	345470	Bolt, Rear Roller	G345470	3.18
40	126724	Grass Shield	G390950	30.75
41	400106	Bolt, Shield	G400106	0.15
42	453023	Flat Washer, Shield, 1/4"	G453023	0.10
43	446130	Lockwasher, 1/4"	G446130	0.10
44	443102	"Nut, 1/4"'''	G443102	0.10
45	153979	Front Roller Bracket LH (shown)	G153979	22.55
45	153980	Front Roller Bracket RH	G153980	22.55
46	461256	Pin, 1/4" x 1"	G461256	0.35
47	441674	Carriage Screw, 5/16" x 1 3/4"	G441674	0.42
48	446136	Lockwasher, 5/16"	G446136	0.10
49	443106	Nut, 5/16-18	G443106	0.10
50	343616	Stud, Roller Adjusting	G343616	3.75
51	365009	Adjusting Knob, Front Roller	G365009	9.80
52	471219	Grease Nipple, Adjusting Knob	G471219	1.30
53	352737	Screw, Square Head Set, 1/4 x 7/8	G352737	0.34
54	443102	Hex Nut, 1/4-20	G443102	0.10
55	239066	Housing, Swivel	G239066	41.95
56	461338	Grooved Pin	G461338	0.52
57	361163	Pin	G361163	0.60
58	345331	Cap, Swivel Housing	G345331	0.65
59	353935	Torsion Spring, LH	G353935	11.65
59	353938	Torsion Spring, RH	G353938	11.65
60	337677	Oil Seal, Cylinder	G337677	2.65
61	-	Tube Assembly, 3" Front Roller	G700531	61.95
62	-	Grease Retainer	G700502	0.95
63	-	Seal, Roller	G328062	2.35
64	-	Roller End, Reasreable	G700501	25.46
65	-	Screw, Square Head Set	G412063	0.58
66	-	Roller Overhaul Kit	G700505	66.10
67	67772	Grass Grass Catcher, Including Items 90-95	G101530	109.95
68	338675	Cover, Shaft	G338675	6.85
69	400104	Bolt, Hex Head, 1/4-20 x 1/2	G400104	0.12
70	363896	Grease Fitting, 1/8"	G363896	3.95
71	-	Housing, Cylinder Bearing Motor End, Inc Items 5 & Cup Portion of 4	G163679	50.95
72	164144	Housing, Cylinder Bearing, Incl. Items 5 & Cup Portion of 4	G163397	46.95
73	352132	Caplva, Cylinder Shaft End	G352132	0.10
74	403751	Bolt, Serrated Washer Head	G403751	0.63
75	354928	Mower Stop	G354928	6.95
76	445722	Nut, Serrated Washer	G445722	0.36
77	400192	Bolt, 5/16-18 x 1 1/2"	G400192	0.21
78	361097	Threaded Stud, Cylinder Bearing Housing	G361097	3.10

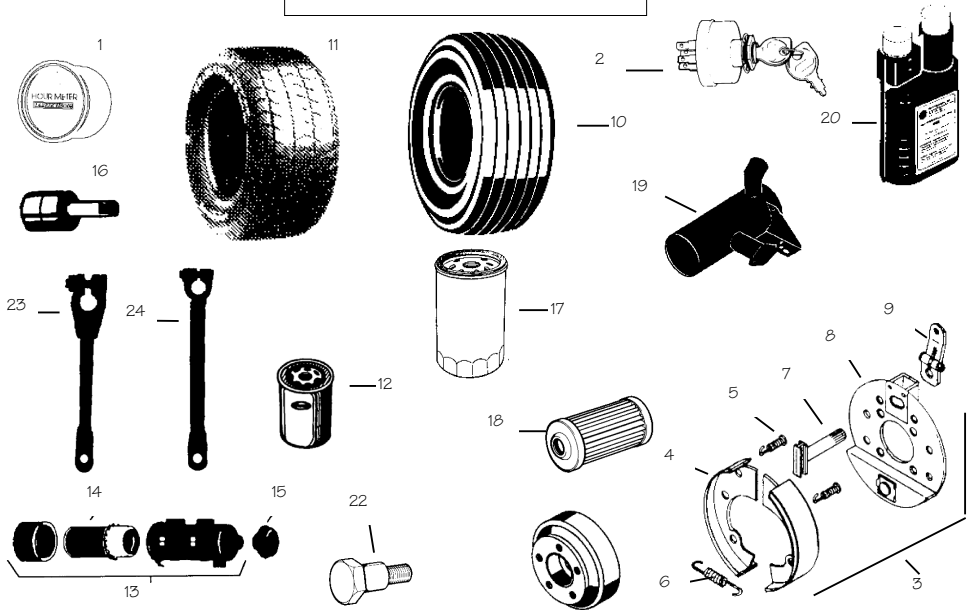
Continues Next Page >>>>

LF100,LF123 & LF128

Key No	OEM Part No	Description	Our Part No	Price £
78A	441812	Screw, 3/8-16 x 1 1/2" Square Head	G441812	0.45
79	453009	Washer, 5/16" Flat	G453009	0.11
80	354083	Decal, Warning	G354083	0.60
81	122685/119245	Frame, Including Nos. 81-83	G122685	195.00
82	363814	Spacer, Seal	G363814	4.60
83	163398	Spacer Seal Assembly	G163398	7.55
84	364898	Shaft, Weight Bar	G364898	24.50
85	400186	Bolt, Hex Head 5/16-18 x 7/8	G400186	0.22
86	460080	Cotter Pin 3/8 x 3	G460080	0.35
87	445781	Whiznut, 5/16-18	G445781	0.20
88	460068	Cotter Pin, 1/4 x 2	G460068	0.16
89	412506	Screw, Bed Knife Adjuster	G412506	1.05
90	-	Mounting Bracket LH	G101531	13.95
91	-	Mounting Bracket, RH	G101532	13.95
92	-	Bolt, 1/4-20 x 3/4 Hex Head	G321-4	0.20
93	-	Flat Washer, 1/4	G453023	0.10
94	-	Lockwasher, 1/4	G3253-3	0.09
95	-	Nut, 1/4-20	G443102	0.10
96	338654	Bracket, RH (shown) fits Jacobsen 67772 Grass Catcher Only	G338654	4.15
96	338655	Bracket LH fits Jacobsen 67772 Grass Catcher Only	G338655	4.15
97	-	Bolt 3/8-16 x 2 1/2"	G101526	0.55
98	446142	Lockwasher, 3/8	G446142	0.12
99	453011	Flat Washer, 3/8	G453011	0.10
100	-	Spacer, Hardened	G101525	3.05
101	-	Locknut, Nylon, Heavy Duty Rear Roller	G3296-15	1.31
102	363047	Spring, Cylinder, Tension	G363047	2.20
103	-	Shaft, Heavy Duty Rear Roller	G100106	23.95
104	-	Tube Only, Heavy Duty Rear Roller	G100107	32.95
104	-	Tube Assembly, Heavy Duty Rear Roller	G100108	70.95
105	-	End Cap, Heavy Duty Rear Roller	G61-0380	22.45
106	-	Inner Seal, Heavy Duty Rear Roller	G253-152	2.42
107	-	Bearing Cup, Heavy Duty Rear Roller	G254-79	2.85
108	-	Bearing Cone, Heavy Duty Rear Roller	G254-78	4.15
109	-	Outer Seal, Heavy Duty Rear Roller	G253-117	3.34
110	-	Wear Sleeve, Heavy Duty Rear Roller	G5-4038	6.65
111	390900	Groomer Roller, 2 1/2"Ø with 1/2" Spacing	G390900	89.50
112	365230	V-Cut Blade, Fits Groomer, 2 1/2" Ø	G365230	0.69
113	170714	Pressure relief fitting	G170714	4.19
114	390940/67780	Deflector, rear discharge	G390940	21.95
115	100110	Scraper, fits G100100 3" grooved roller 1 1/4" spacing	G100110	19.95
115	100111	Scraper, fits 3" grooved roller 3/4" spacing	G100111	19.95
116	364900	Nut, Cylinder, Tension	G364900	4.75
117	458013	Retaining Ring, Cylinder	G458013	0.40
118	337370	Cylinder Coupling, Splined	G337370	3.35
119	364901	Gasket, Cylinder Motor	G364901	0.43
120	220278/121856	Shoe, Bed Knife	G220278	99.95

E MAIL
sales@garfitts.com

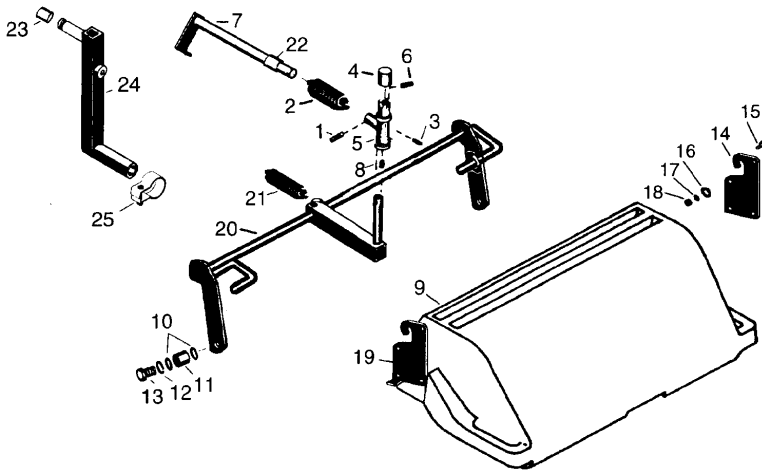
LF100, LF123 & LF128



Key No	OEM Part No	Description	Our Part No	Price £
1	162723	Hour Meter	G12-9990	35.95
2	131095	Ignition Switch, 6 Lead	G27-2360	12.95
3	501307	Brake Assembly	G501307	88.95
4	501150	Brake Shoes (set of 2)	G501150	23.42
5	353868	Shoe Hold Down Spring	G353868	1.20
6	353869	Shoe Return Spring	G353869	3.60
7	546516	Camshaft, Brake	G546516	28.75
8	130191	Support Plate, Brake	G130191	34.95
9	554526 501151	Brake Lever	G501151	21.75
10	551739	Tyre, Steering 18 - 8.50 x 8, 4 Ply Rib	G700140	46.95
11	390836	Tyre, 24 - 13 x 12 Chevron, 4 Ply	G390836	113.95
12	550556	Oil Filter, Engine	G42-9030	9.40
13	116276	Air Filter Assembly	G27-7100	79.95
14	549593	Element, Air Filter	G27-7110	15.25
15	129901	Cap, Air Filter	G27-7180	15.25
16	361850	Bearing, Fan	G361850	15.45
17	554630	Spin-On Filter Element, Hydraulic System	G554630	25.95
17	556416	Cartridge Element Filter, Transmission	G556416	11.95
18	550489	Filter, Fuel Cartridge	G550489	4.95
19	390487	Muffler	G390487	82.95
20	-	Hydraulic Oil Dye, Concentrate 16 fl. oz. Bottle	G525	50.35
21	207467	Brake Drum	G207467	85.00
22	315298	Wheel Bolt	G315298	1.48
23	360445	Battery Cable, Positive	G360445	13.95
24	153244	Battery Cable, Negative	G153244	4.75

Parts are not original. OEM part numbers are for reference purposes only.

LF100, LF123 & LF128



Key No	OEM Part No	Description	Our Part No	Price £
1	461338	5/16 X 2 Type E Grooved Pin	G461338	0.52
2	353935	Torsion Spring LH	G353935	11.65
2	353938	Torsion Spring RH	G353938	11.65
3	471226	Grease nipple	G302-5	0.52
4	345331	Cap, swivel housing	G345331	0.63
5	239066	Housing, swivel	G239066	41.95
6	361163	Pin	G361163	0.62
7	163697 163431	Pivot shaft, front & rear LH	G163431	20.95
7	163430 163696	Pivot shaft, front & rear RH & centre	G163430	20.95
8	415521	Set Screw	G415521	0.22
9	67774	Grass catcher	G101530	109.95
10	453011	Washer, 3/8" Flat	G453011	0.10
11	345510	Spacer, Hardened	G345510	1.68
12	446142	Lockwasher 3/8"	G446142	0.12
13	400264	Bolt, 3/8-16 X 1 1/4"	G400264	0.25
14	-	Mounting Bracket, LH Fits G101530	G101531	13.95
15	-	Bolt, 1/4-20 x 3/4" Hex Head	G321-4	0.20
16	-	Flat Washer, 1/4"	G453023	0.10
17	-	Lockwasher, 1/4"	G3253-3	0.09
18	-	Nut, 1/4-20	G443102	0.10
19	-	Mounting Bracket, RH Fits G101530	G101532	13.95
20	-	Yoke Assembly, RH and Centre, 25 " Inside	G122712	82.95
20	-	Yoke Assembly, LH, 25 " Inside	G122713	82.95
21	313513	Spring, Antiaway, Centre, use with G122712 only	G313513	2.95
22	342124	Bushing, lift arm	G3-0348	2.84
23	363539	Bushing, lift arm	G363539	3.55
24	122698 503566	Lift arm	G503566	89.95
24	122702 5000872	Lift arm, centre	G5000872	89.95
25	364902	Clamp, Torsion Spring	G364902	2.25

Parts are not original. OEM part numbers are for reference purposes only.

LF100LF123 & LF128**FILTERS**

QUICK REFERENCE

**MOTORGUARD
FILTERS**
THE PROTECTION
FOR YOUR MACHINE

**MOTORGUARD
FILTERS**
THE PROTECTION
FOR YOUR MACHINE

Filter type	Our Part Number	Price £
Air filter assembly	G27-7100	79.95
Air Filter element	G27-7110	15.25
Air filter cap	G27-7180	15.25
Hydraulic Spin On Filter Element	G554630	25.95
Engine Oil Filter	G42-9030	9.40
Cartridge element filter, Transmission	G556416	11.95
Fuel Filter Cartridge	G550489	4.95

The MOTORGUARD range of filters are designed specifically for the golf and turf industry and built to provide top performance under the toughest of conditions.

Their high strength spin on filters feature innovative design advantages built to handle the extra pressure of today's sophisticated hydraulic systems.

Check out the advantages for your maintenance programme

TODAY.

TEL: (0114) 251 3344

FAX: (0114) 251 3000