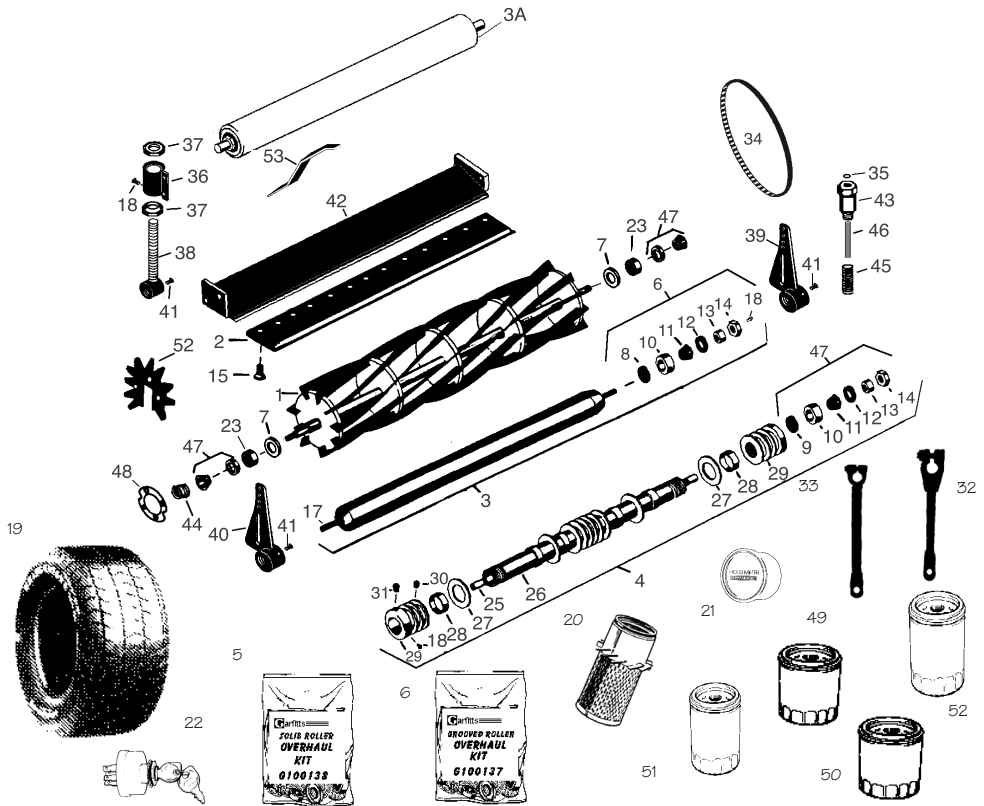



LF3810



Key No	OEM Part No	Description	Our Part No	Price £
Cylinders Available				
1		Cylinder, 5 Blade RH	G500004	134.15
1		Cylinder, 5 Blade LH	G5000041	134.15
1	503635	Cylinder, 10 Blade RH	G503635	145.55
1	503635	Cylinder, 10 Blade LH	G503635	145.55
Bed Knives Available				
2	503654	Bed Knife	G503654	20.75
Rollers Available				
3	131863	Solid Roller, 2 1/2"Ø with Tapered Bearings	G104120	123.95
4	-	Repairable Grooved Roller, 3"Ø	G104100	179.95
Overhaul Kits Available				
5	-	GROOVED ROLLER OVERHAUL KIT	G100137	39.95
		Bearings, Seals, Wear Sleeves & Nuts to Rebuild One Grooved Front Roller 2 x G3296-15 Jam Locknut 2 x G302-5 Grease Nipple 2 x G253-122 Inner Seal 2 x G253-117 Outer Seal 2 x G5-4038 Wear sleeve, roller assy. 2 x G254-78 Bearing Cone 2 x G254-79 Bearing Cup		

Parts are not original. OEM part numbers are for reference purposes only.

LF3810

Key No	OEM Part No	Description	Our Part No	Price £
6	-	HEAVY DUTY ROLLER OVERHAUL KIT	G100138	37.50
		Bearings, Seals, Wear Sleeves & Nuts to Rebuild One Solid Front Roller 2 x G500534 Bearing & Cup, roller 2 x G302-5 Grease Nipple 2 x G338646 Outer seal 2 x G338647 Inner seal 2 x G366168 Wear Sleeve Hardened 2 x G338645 Deflector cup 2 x G3296-15 Locknut		
Other Parts Available				
7	364275	Disc, Cylinder Shaft	G364275	1.05
8	-	Inner Seal, Solid Roller Assembly	G253-152	2.42
9	-	Inner Seal, Grooved Roller Assembly	G253-122	2.38
10	-	Cup, Bearing	G254-79	2.85
11	-	Cone, Bearing	G254-78	4.15
12	-	Outer Seal, Roller Assembly	G253-117	3.34
13	-	Wear Sleeve, Roller Assembly	G5-4038	6.65
14	-	Locknut, Jam	G3296-15	1.31
15	402578	Screw, Bed Knife	G101272	0.18
16	-	Tube Assembly with ends, 2 1/2"Ø Solid Roller	G104106	74.95
17	-	Shaft, Solid Roller	G104104	28.30
18	-	Grease Nipple	G302-5	0.50
19	366790	Tyre, 20 x 10.00-8, 4 Ply	G700196	59.75
19	366292 366988	Tyre, 26 x 12.00-12, 4 Ply	G700136	105.95
20	549593	Element, Air Filter	G27-7110	15.25
21	162723	Hourmeter	G12-9990	35.95
22	131095	Ignition Switch, 6 Lead	G27-2360	12.95
23	337593	Seal, Cylinder	G337593	3.67
24	-	Tube Assembly, Grooved Roller	G104101	110.95
25	-	Shaft, Grooved Roller	G104102	25.15
26	-	Tube only, 3" Grooved Roller	G104103	28.95
27	-	3" Washer, Repairable Grooved Roller	G150673	0.60
28	-	Spacer, Repairable Grooved Roller	G150671	0.60
29	-	3" Repairable Grooved Roller End	G101013	41.95
30	-	Nyloc Set Screw, 3/8"-16 x 3/8"	G150691	0.55
31	-	Relief Fitting, Pressure	G170714	4.19
32	-	Battery Cable, Positive	G340712	24.95
33	-	Battery Cable, Negative	G340711	20.35
34	366861 5001122	Belt, mower drive	G5001122	20.95
35	472519	Plug, adjusting handle	G472519	0.40
36	164076	Rear roller bracket	G164076	19.95
37	366833 3000313	Nut, roller adjusting	G3000313	1.85
38	132680	Rear roller adjusting assembly	G132680	26.25
39	164074	Front roller bracket, L.H.	G164074	17.95
40	164075	Front roller bracket, R.H.	G164075	17.95
41	412015	Set screw, 5/16-18 x 5/8 Sq. Hd.	G412015	0.45
42	503653	Backing bar, bed knife	G503653	115.95
43	365994	Adjusting handle, reel to bed knife	G365994	33.78
44	366841	Spring, reel	G366841	1.45
45	366973	Spring, reel adjusting	G366973	1.65
46	364265	Adjusting screw, reel	G364265	4.08
47	500596	Bearing & Cup Assembly	G500596	6.75
48	364147	Gasket, Bearing Housing	G364147	0.51
49	557759	Engine Oil Filter	G557759	9.75
50	9070	Fuel Filter	G9070	4.85
51	557772	Hydraulic Oil Filter	G557772	15.50
52	556418	Transmission Filter	G556418	29.95

Parts are not original. OEM part numbers are for reference purposes only.