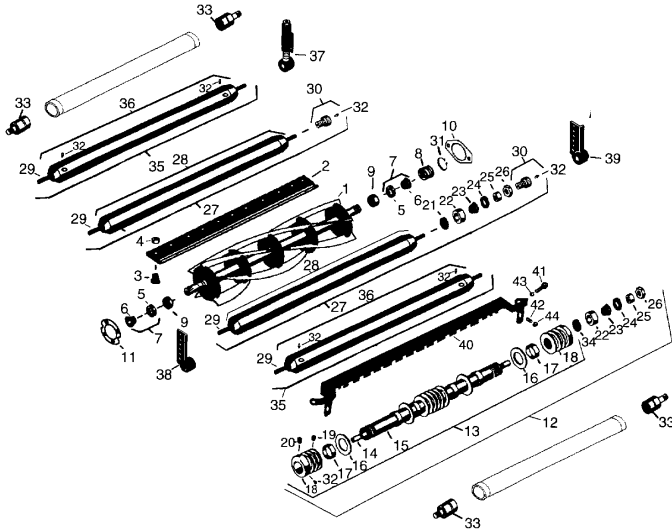


TRIKING 1471 & 1671  
WITH 26" Belt Drive Cutting Units



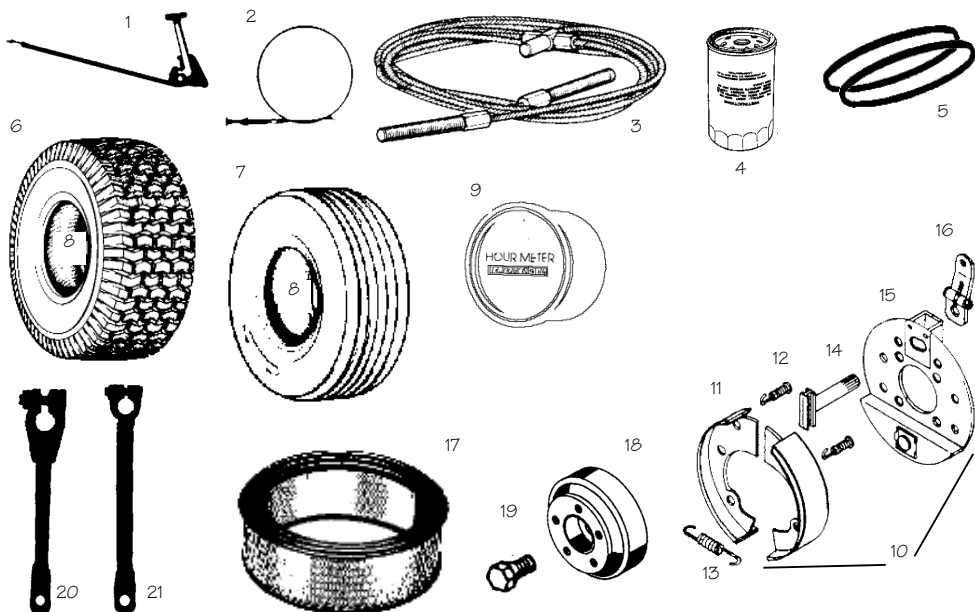
Key No	Description	Our Part No	Price £
5	OVERHAUL KIT	G100131	23.95
	Seals, Bearings & Gasket for one Cutting Unit 1 x G338362 Outer Oil Seal 1 x G364147 Cover Gasket 2 x G500596 Bearing Cup & Cone 2 x G337593 Inner Oil Seal		
6	GROOVED ROLLER OVERHAUL KIT	G100137	38.75
	Bearings, Seals, Wear Sleeves & Nuts to rebuild one Grooved Front Roller 1 x G3296-15 Jam Locknut 2 x G302-5 Grease Nipple 2 x G253-122 Inner Seal 2 x G253-117 Outer Seal 2 x G5-4038 Wear Sleeve, Hardened 2 x G254-78 Bearing Cone 2 x G254-79 Bearing Cup		
7	SOLID ROLLER OVERHAUL KIT	G100138	35.75
	Bearings, Seals, Wear Sleeves & Nuts to rebuild one Solid Front Roller 2 x G3296-15 Jam Locknut 2 x G253-152 Inner Seal 2 x G253-117 Outer Seal 2 x G5-4038 Wear Sleeve, Hardened 2 x G254-78 Bearing Cone 2 x G254-79 Bearing Cup 2 x G302-5 Grease nipple		

Parts are not original. OEM part numbers are for reference purposes only.

**TRIKING 1471 & 1671 WITH 26" Belt Drive Cutting Units**

Key	OEM Part No	Description	Our Part No	Price£
Cylinders Available				
1	503274/122547	26" Cylinder, 5 Blade LH & Centre	G503274	124.50
1	503275/122546	26" Cylinder, 5 Blade RH	G503275	124.50
1	5002088	26" Cylinder, 7 Blade LH & Centre	G5002088	145.50
1	5002087	26" Cylinder, 7 Blade RH	G5002087	145.50
1	203277/122548	26" Cylinder, 10 Blade LH & Centre	G503276	165.50
1	203277/122548	26" Cylinder, 10 Blade RH	G503277	165.50
Bedknives Available				
2	503373	Bed knife low cut	G503373	24.95
2	554284	Bed Knife, 7/16" H.O.C. Standard	G554284	23.95
Rollers Available				
3	131863	Solid Roller, 2 1/2" Ø with Tapered Bearings	G104125	122.10
4	116906	Grooved Roller, 3"Ø	G104100	179.95
4	N/A	Plastic UHMW Grooved Roller, 3"Ø	G101362	149.95
Other Parts Available				
8	313089	Bearing Cone	G254-94	4.80
9	337593	Inner Oil Seal, Cylinder	G337593	3.67
10	338362	Outer Oil Seal, Cylinder	G338362	3.82
11	364147	Cover Gasket	G364147	0.52
12	364148	Compression Spring, Cylinder	G364148	2.05
13	-	Tube Assembly, Grooved Roller	G104101	110.95
14	-	Shaft, Grooved Roller	G104102	25.15
15	-	Tube Only, 3" Grooved Roller	G104103	28.95
16	-	3" Washer, Repairable Grooved Roller	G150673	0.60
17	-	Spacer, Repairable Grooved Roller	G150671	0.62
18	-	3" Repairable Grooved Roller End	G100103	41.95
19	-	Nyloc Set Screw, 3/8"-16 x 3/8"	G150691	0.55
20	-	Relief Fitting, Pressure	G170714	4.19
21	-	Inner Seal, Solid Roller Assembly	G253-152	2.42
22	-	Bearing Cup	G254-79	2.85
23	-	Bearing Cone	G254-78	4.15
24	-	Outer Seal, Roller Assembly	G253-117	3.34
25	-	Wear Sleeve, Roller Assembly	G5-4038	6.65
26	-	Locknut, Jam	G3296-15	1.31
27	445684	Nut, Bed Knife	G101271	0.26
28	403757	Screw, Bed Knife	G101270	0.26
29	-	Shaft, Solid Roller	G104108	28.30
30	-	Bolt, Grease with Fitting, Fits our Solid Roller	G104107	6.25
31	390704	Belt, Mower	G390704	9.25
32	-	Grease Nipple	G302-5	0.52
33	75-1290	Bearing, Fits OEM Front & Rear Roller	G75-1290	16.94
34	253-122	Inner Seal, Repairable Grooved Roller	G253-122	2.38
35	131879	Rear roller Bracket, micro adjustment	G131879	69.95
36	132028	Front height of Cut bracket, R.H.	G132028	21.05
37	132029	Front height of Cut bracket, L.H.	G132029	21.05
38	500596	Cup & Cone, Cylinder	G500596	6.75
39	-	26" solid roller tube assembly	G104106	74.95
40	3001706	26" Grooved Roller Scraper (fits OEM roller only)	G3001706	26.95
40	-	26" Grooved Roller Scraper (fits Garfitts roller only)	G700508	26.95
41	400182	Bolt, Hex Hd. 5/16 - 18 X 5/8	G400182	0.40
42	415559	Set screw, 5/16 - 19 X 1	G415559	0.25
43	446136	Lockwasher, 5/16"	G446136	0.10
44	445781	Flanged locknut, 5/16-18	G445781	0.20
45	313546	Bearing Cup	G254-72	2.27
46	-	Tube Assembly, with ends, 2 1/2"Ø, Solid Roller	G104106	74.95
47	131863/116940/132639	26" solid roller, 2 1/2" Dia. with Timken bearings	G104125	115.35

Parts are not original. OEM part numbers are for reference purposes only.

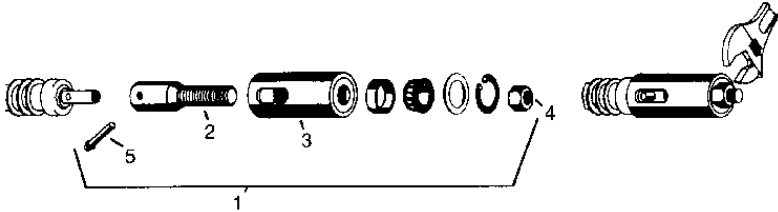
**TRIKING 1471 & 1671**  
**WITH 26" Belt Drive Cutting Units**


Key No	OEM Part No	Description	Our Part No	Price £
1	338381	Throttle Control	G338381	10.95
2	131851	Choke Control	G131851	14.55
3	364226	Steering Cable	G364226	21.37
4	549597	Oil Filter, Hydraulic	G28-1370	9.45
5	390707	Belt, Drive (set of 2)	G390707	12.15
6	594278	Tyre, Front 18-8.50 x 8 Tubeless, Softrac 4 ply Goodyear	G700160	49.75
7	551739	Tyre, Rear 18-8.50 x 8 Tubeless, Rib 4 ply Goodyear	G700140	46.95
8	121704	Wheel with Stem	G121704	39.45
9	162723	Hour Meter	G12-9990	35.95
10	501307	Brake Assembly	G501307	88.95
11	501150	Brake Shoes (set of 2)	G501150	23.42
12	353868	Shoe Hold Down Spring	G353868	1.20
13	353869	Shoe Return Spring	G353869	3.60
14	546516	Camshaft, Brake	G546516	28.75
15	130191	Support Plate, Brake	G130191	34.95
16	552526/501151	Brake Lever	G552526	21.75
17	4708301	Air Filter (Kohler)	G4708301	4.15
18	207461	Brake Drum	G207461	68.85
19	353914	Wheel Bolt	G353914	2.25
20	364162	Battery cable, positive	G364162	11.95
21	364006	Battery cable, negative	G364006	5.95

Parts are not original. OEM part numbers are for reference purposes only.

**WATER PUMP STYLE BEARING PULLER**

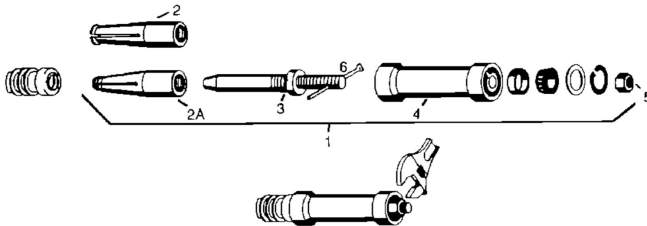
If Shaft has fallen out, use the Ball Bearing Outer Race Puller, G235, listed below.



Key No	OEM Part No	Description	Our Part No	Price £
1	-	Water Pump Style Bearing Puller - Fits Part No's - G101481, G101482, G21-6410, G21-8430, G52-3180, G52-3120, G311839, G361850, G75-1290, RAET10129	G245	55.22
2	-	Threaded Puller Stud	G246	22.95
3	-	Outer Tube Assembly Including Bearing Assembly Fits G245	G247	30.95
4	-	Nut Hardened	G233	2.85
5	-	Pin Hardened	G205	2.42

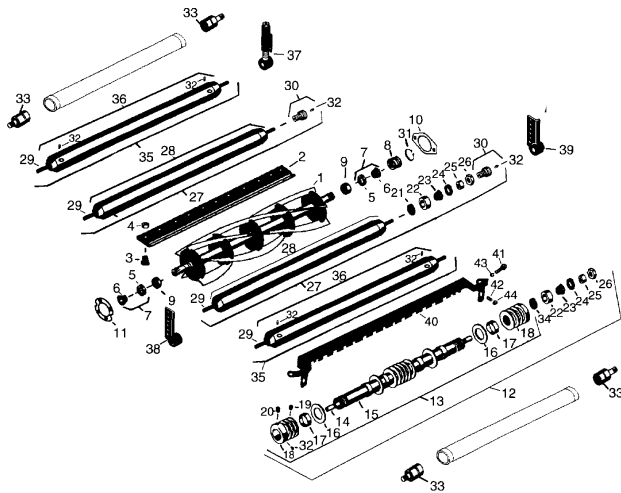
**TAPERED AND BALL BEARING RACE PULLERS**




If Shaft is still in place, use the Water Pump Style Bearing Puller, G245, listed above.



Key No	OEM Part No	Description	Our Part No	Price £
1	-	Tapered Bearing Race Puller Assy. Fits LM11910 Race and G251-141 Outer Bearing Race	G225	166.95
1	-	Tapered Bearing Race Puller Assy. Fits LM07097 & LM44610 Races	G230	166.95
1	-	Ball Bearing Outer Race Puller Assy. Fits G101481, G101482, G21-6410, G21-8430, G52-3180, G52-3120, G311839, G361850, G75-1290, GAET10129	G235	166.95
1	-	Outer Ball Bearing Race Puller Assy. Fits G30355B	G240	166.95
1	-	Complete Puller Set. Incl.1 ea.: G226, G227, G232, G233, G234, G236, G237, G241	G244	399.95
2	-	Expanding Puller Tube Only, Fits G225	G226	90.95
2	-	Expanding Puller Tube Only, Fits G230	G232	90.95
2A	-	Expanding Puller Tube Only, Fits G235	G236	90.95
2	-	Expanding Puller Tube Only, Fits G240	G241	90.95
3	-	Spreader Mandrel	G227	39.95
4	-	Outer Tube Assy., 9 1/4", Incl. Bearing Assy.	G237	35.95
5	-	Nut, Hardened	G233	2.85
6	-	Handle, Spreader mandrel	G234	2.15

**TRIKING 1671D & 1684D**  
**WITH 26" & 30" Hydraulic Cutting Units**



Key No		Description	Our Part No	Price £
5		<b>OVERHAUL KIT</b> Seals, Bearings & Gasket for one Cutting Unit 1 x G338362 Outer Oil Seal 1 x G364147 Cover Gasket 2 x G500596 Bearing Cup & Cone 2 x G337593 Inner Oil Seal	G100131	23.95
6		<b>GROOVED ROLLER OVERHAUL KIT</b> Bearings, Seals, Wear Sleeves & Nuts to rebuild one Grooved Front Roller 1 x G3296-15 Jam Locknut 2 x G302-5 Grease Nipple 2 x G253-122 Inner Seal 2 x G253-117 Outer Seal 2 x G5-4038 Wear Sleeve, Hardened 2 x G254-78 Bearing Cone 2 x G254-79 Bearing Cup	G100137	38.75
7		<b>SOLID ROLLER OVERHAUL KIT</b> Bearings, Seals, Wear Sleeves & Nuts to rebuild one Solid Front Roller 2 x G3296-15 Jam Locknut 2 x G253-152 Inner Seal 2 x G253-117 Outer Seal 2 x G5-4038 Wear Sleeve, Hardened 2 x G254-78 Bearing Cone 2 x G254-79 Bearing Cup 2 x G302-5 Grease nipple	G100138	35.75

**TRIKING 1671D &1684D &1900D  
WITH 26" & 30" HYDRAULIC CUTTING UNITS**

Key No	OEM Part No	Description	Our Part No	Price £
1	503274	26" Cylinder, 5 Blade LH & Centre	G503274	124.50
1	503275	26" Cylinder, 5 Blade RH	G503275	124.50
1	5002088	26" Cylinder, 7 Blade LH & Centre	G5002088	145.50
1	5002087	26" Cylinder, 7 Blade RH	G503275	145.50
1	503276	26" Cylinder, 10 Blade LH & Centre	G503276	165.50
1	503277	26" Cylinder, 10 Blade RH	G503277	165.50
1	503359	30" Cylinder, 5 Blade LH & Centre	G503359	129.95
1	503360	30" Cylinder, 5 Blade RH	G503360	129.95
1	503360	30" Cylinder, 7 Blade LH & Centre	G5002090	159.95
1	503360	30" Cylinder, 7 Blade RH	G5002089	159.95
1	503361	30" Cylinder, 10 Blade LH & Centre	G503361	175.95
1	503362	30" Cylinder, 10 Blade RH	G503362	175.95
2	503373	Bed knife low cut 26" units	G503373	24.95
2	554284	26" Bed Knife, 7/16" H.O.C. 11 Hole Standard	G554284	23.75
2	503363	30" Bed Knife, 7/16" H.O.C. 13 Hole	G101256L	25.95
3	403757	Screw, Bed Knife	G101270	0.26
4	445684	Nut, Bed Knife	G101271	0.26
5	313456	Bearing Cup, Cylinder	G254-72	2.27
6	313089	Bearing Cone, Cylinder	G254-94	4.80
7	500596	Bearing Cup & Cone, Cylinder	G500596	6.75
8	364148	Compression Spring, Cylinder	G364148	2.05
9	337593	Inner Oil Seal, Cylinder	G337593	3.67
10	364777	Gasket, Drive End	G364777	1.16
11	364147	Cover Gasket	G364147	0.51
12	116906	26" Steel Grooved Roller, 3" Ø	G104100	179.95
12	N/A	26" Plastic UHMW Grooved Roller, 3" Ø	G101362	149.95
12	67729	30" Steel Grooved Roller, 3" Ø	G104115	199.95
13	-	Tube Assembly, 26" Grooved Roller	G104101	110.95
13	-	Tube Assembly, 30" Grooved Roller	G104116	110.95
14	-	Shaft, 26" Grooved Roller	G104102	25.15
14	-	Shaft, 30" Grooved Roller	G104117	24.95
15	-	Tube Only, 26" Grooved Roller	G104103	28.95
15	-	Tube Only, 30" Grooved Roller	G104118	28.95
16	-	3" Washer, Repairable Grooved Roller	G150673	0.60
17	-	Spacer, Repairable Grooved Roller 13/16"	G150671	0.62
17	-	Spacer, Repairable Grooved Roller 1 1/4"	G150676	1.40
18	-	3" Repairable Grooved Roller End	G100103	41.95
19	-	Nyloc Set Screw, 3/8"-16 x 3/8"	G150691	0.55
20	-	Relief Fitting, Pressure	G170714	4.19
21	-	Inner Seal, Solid Roller Assembly	G253-152	2.42
22	-	Bearing Cup	G254-79	2.85
23	-	Bearing Cone	G254-78	4.15
24	-	Outer Seal, Roller Assembly	G253-117	3.34
25	-	Wear Sleeve, Roller Assembly	G5-4038	6.65
26	-	Locknut, Jam	G3296-15	1.31
27	131863	Solid Roller, 2 1/2" Ø, 26" Unit with Tapered Bearings	G104125	115.35
27	116933 132640	Solid Roller, 2 1/2" Ø, 30" Unit with Tapered Bearings	G104110	125.50
28	-	Tube Assembly with ends, 2 1/2" Ø, Solid Roller, 26" Unit	G104106	74.95
28	-	Tube Assembly with ends, 2 1/2" Ø, Solid Roller, 30" Unit	G104111	76.95
29	-	Shaft, Solid Roller, 26" Unit	G104108	28.30
29	-	Shaft, Solid Roller, 30" Unit	G104109	30.95
30	-	Bolt, Grease with fitting, Fits our Solid Roller	G104107	6.25
31	458039	Snap Ring, Cylinder	G458039	0.70
32	-	Grease Nipple	G302-5	0.52
33	75-1290	Bearing, Fits OEM Front & Rear Roller	G75-1290	16.54

Parts are not original. OEM part numbers are for reference purposes only.

## TRIKING 1671D & 1684D WITH 26" & 30" HYDRAULIC CUTTING UNITS

Key No	OEM Part No	Description	Our Part No	Price £
34	253-122	Inner Seal, Repairable Grooved Roller	G253-122	2.38
35	131863 116940 132639	26" solid roller assembly with bearings	G104125	115.35
35	116933 132640	30" solid roller assembly with bearings	G104130	122.95
36	-	26" solid roller tube assembly	G104126	73.95
36	-	30" solid roller tube assembly	G104131	74.95
37	131879	Rear roller bracket, micro adjustment	G131879	73.45
38	132028	Front height of Cut bracket, R.H.	G132028	21.05
39	132029	Front height of Cut bracket, L.H.	G132029	21.05
<b>REPLACES JACOBSEN OEM 30" 132640 SOLID ROLLERS &amp; 1000384 GROOVED ROLLER</b>				
		<b>ROLLER OVERHAUL KIT</b>	G100133	34.95
		Includes 2 each of G500534 Bearing & Cup, Timken G302-5 Grease nipple, G338646 Outer seal, G338647 Inner seal, G366168 Wear sleeve, hardened, G338645 Deflector cup G3296-15 Locknut		
40	3001706	26" Grooved Roller Scraper, fits OEM roller only	G3001706	26.95
40	3003811	30" Grooved Roller Scraper, fits OEM roller only	G3003811	29.95
40		26" Grooved Roller Scraper, fits Garfitts roller only	G700508	26.95
40		30" Grooved Roller Scraper, fits Garfitts roller only	G700509	29.95
41	400182	Bolt, Hex Hd. 5/16-18 X 5/8	G400182	0.40
42	415559	Set screw, 5/16-18 X 1	G415559	0.25
43	446136	Lockwasher, 5/16"	G446136	0.10
44	445781	Flanged Locknut, 5/16-18	G445781	0.20

### TRIKING FILTERS QUICK REFERENCE

TRIKING Filter	Our Part No.	Price £	1671D & 1684D Our Part No.	Price £
Air cleaner with pre cleaner	-		G8-2329	89.45
Air Filter	G4708301	4.15	G33-1300	13.60
Hydraulic Oil Filter	G28-1370	9.45	G28-1370	9.45
Engine Oil Filter	-		G888921	7.40
Fuel Filter Cartridge	-		G550489	4.95

**TEL: (0114) 251 3344  
FAX: (0114) 251 3000**

**TRIKING 1671D & 1684D  
WITH 26" & 30" HYDRAULIC CUTTING UNITS**



Key No	OEM Part No	Description	Our Part No	Price £
1	131966	Throttle Control	G131966	23.75
2	131095	Ignition switch	G27-2360	12.88
3	364226	Steering Cable	G364226	21.37
4	549597	Oil Filter, Hydraulic	G28-1370	9.45
5	390994	Belt, reel pump	G390994	11.55
6	594278	Tyre, Front 18-8.50x 8 Tubeless, Softrac 4 ply Goodyear	G700160	49.75
7	551739	Tyre, Rear 18-8.50 x 8 Tubeless, Rib 4 ply Goodyear	G700140	46.95
8	121704	Wheel with Stem, rear	G121704	39.45
9	162723	Hour Meter	G12-9990	35.95
10	501307	Brake Assembly	G501307	88.95
11	501150	Brake Shoes (set of 2)	G501150	23.42
12	353868	Shoe Hold Down Spring	G353868	1.20
13	353869	Shoe Return Spring	G353869	3.60
14	546516	Camshaft, Brake	G546516	28.75
15	130191	Support Plate, Brake	G130191	34.95
16	552526/ 501151	Brake Lever	G552526	21.75
17	502619	Air filter element	G33-1300	13.60
18	122089	Air cleaner with pre cleaner	G8-2329	89.45
19	107917	Ammeter	G33-0990	6.95
20	-	Fuel filter cartridge	G550489	4.95
21	207461	Brake Drum	G207461	68.85
22	353914	Wheel Bolt	G353914	2.25
23	163639	Battery cable, positive	G163639	13.65
24	153244	Battery cable, negative	G153244	4.75
25	395282/5000619	Electric clutch, heavy duty	G395282	179.95
26	-	Engine oil filter	G888921	7.40
27	-	Fuel filter cartridge	G550489	4.95