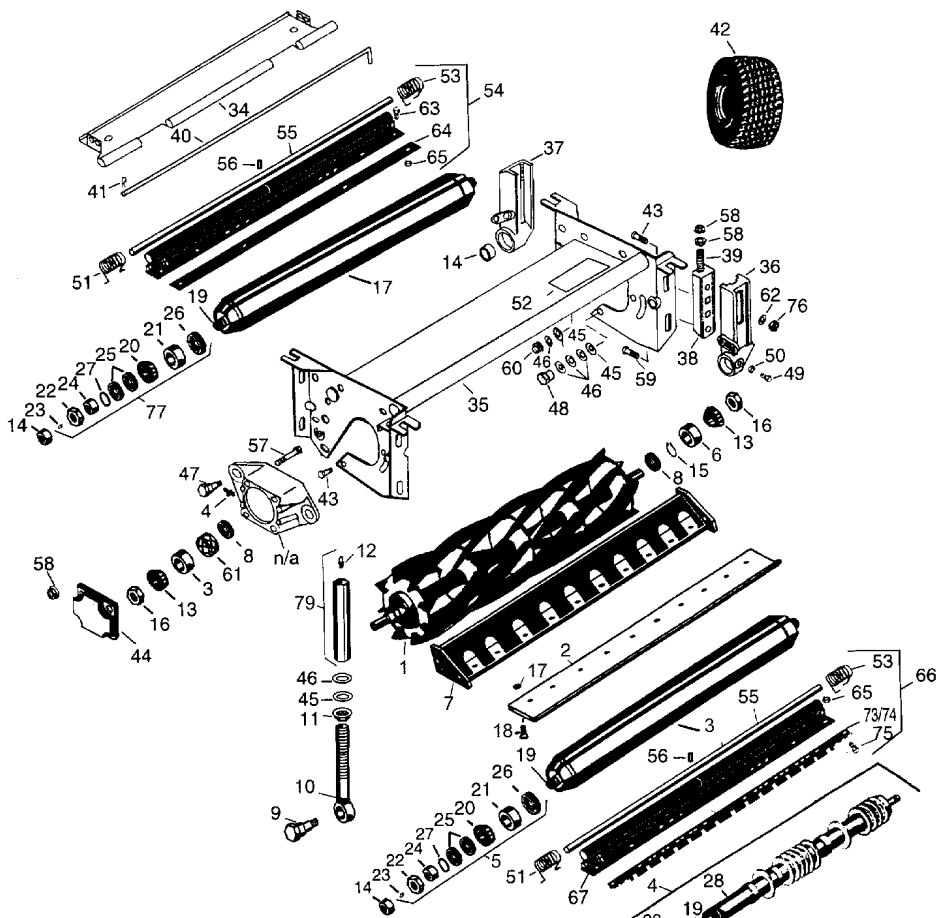


2653 & 2653A
WITH HEAVY DUTY 26" & 30" CUTTING UNITS



Grooved Roller Scrapers				
To Fit John Deere Grooved Rollers:				
68	72	70	69	71
30" Units				
26" Units				
To Fit Garfitts Grooved Rollers:				
74				
30" Units				
73				
26" Units				



TEL: (0114) 251 3344
FAX: (0114) 251 3000

2653 & 2653A

WITH HEAVY DUTY 26" & 30" CUTTING UNITS

Key No	OEM Part No	Description	Our Part No	Price £
Cylinders Available				
1	AMT2868	26" Cylinder, 5 Blade, fits 2653	GAMT2868	159.95
1	AMT2869	26" Cylinder, 8 Blade, fits 2653	GAMT2869	174.95
1	AMT2870	26" Cylinder, 5 Blade, fits 2653A	GAMT2870	159.95
1	AMT2871	26" Cylinder, 8 Blade, fits 2653A	GAMT2871	174.95
1	AMT1052	30" Cylinder, 5 Blade, fits 2653A	GAMT1052	169.95
1	AMT1053	30" Cylinder, 8 Blade, fits 2653A	GAMT1053	184.95
Bedknives Available				
2	ET17752	26" Bed Knife, 10 hole	GET17752	21.95
2	MT2396	26" Bed Knife, 10 hole, low cut	GMT2396	22.95
2	MT1973	30" Bed Knife, 12 hole	GMT1973	28.95
Rollers Available				
3	AET11265	26" Solid Roller, 3" Diameter	GAET11265	122.80
3	120352	26" UHMW Plastic Solid Roller, 3" Diameter	G120352	119.95
3	AMT1056	30" Solid Roller, 3" Diameter	GAMT1056	124.95
3	120353	30" UHMW Plastic Solid Roller, 3" Diameter	G120353	121.95
4	AET11264	26" Repairable Grooved Roller, 3" Dia	G500509	164.95
4	120350	26" UHMW Plastic Grooved Roller, 3" Dia	G120350	132.95
4	AMT1057	30" Repairable Grooved Roller, 3" Dia	G500514	169.95
4	120351	30" UHMW Plastic Grooved Roller, 3" Dia	G120351	139.95
Overhaul Kits Available				
5	AET10632	Roller Overhaul Kit - contains 2 x GET15756, 2 x G254-79, 2 x G254-78, 2 x G237-5, 2 x GET15726, 2 x G3296-15, 4 x ET15755.	GAET10632	38.95
Other Parts Available				
6	JD8239	Cup, Cylinder Bearing	GJD8239	2.95
7	AET11303	26" Backing Bar, Bed Knife	GAET11303	129.95
7	AMT1051	30" Backing Bar, Bed Knife	GAMT1051	139.95
8	AN50688	Cylinder Seal, fits 2653	GAN50688	2.49
8	MT1115	Cylinder Seal, fits 2653A	GMT1115	2.10
9	ET16896	Shoulder Bolt	GET16896	6.95
10	ET16897	Eyebolt, Cylinder	GET16897	14.95
11	ET17361	Flanged Nut, Eyebolt	GET17361	0.27
12	JD7844	Grease Nipple	GJD7844	0.48
13	JD8905	Cone, Cylinder Bearing, fits 2653	GJD8905	4.40
13	JD8960	Cone, Cylinder Bearing, fits 2653A	GJD8960	8.48
14	MT74	Bushing, Roller Bracket	GMT74	1.10
15	N51168	Snap Ring	GN51168	1.30
16	P48362	Locknut, cylinder, fits 2653	GP48362	1.20
16	MT1211	Locknut, cylinder, fits 2653A	GMT1211	2.05
17	14M7396	Locknut, Bed Knife	G14M7396	0.36
18	R19M7573	Screw, Bed Knife (10 required)	G19M7573	0.38
19	ET17514	Shaft, Roller 26" Long	GET17514	25.95
19	MT1986	Shaft, Roller 30" Long	GMT1986	27.95
20	JD8188	Cone, Bearing	G254-78	4.15
21	JD8226	Cup, Bearing	G254-79	2.85
22	N101345	Locknut	GN101345	1.25
23	JD7759	Grease Nipple	GJD7759	1.30
24	ET15726	Wear Sleeve, Hardened	GET15726	6.95
25	ET15755	Seal, Outer	GET15755	2.45
26	ET15756	Seal, Inner	GET15756	2.65
27	U46731	O-Ring	GU46731	0.30
28	-	Threaded Tube, 26" Grooved roller	G150661	26.95
28	-	Threaded Tube, 30" Grooved roller	G150662	26.95
29	-	Threaded Roller End, 3"	G500511	41.95
30	-	Washer, Repairable Grooved Roller	G150673	0.60
31	-	1 1/4" H.D. Spacer, Rep. Grooved Roller	G150676	1.40

Continues Next Page >>>>>

2653 & 2653A

WITH HEAVY DUTY 26" & 30" CUTTING UNITS

Key No	OEM Part No	Description	Our Part No	Price £
32	-	Nyloc Set Screw, 3/8"-16 x 3/8"	G150691	0.55
33	-	Pressure Relief Fitting	G170714	4.19
34	ET17754	26" Grass deflector	GET17754	16.95
34	MT1979	30" Grass deflector	GMT1979	18.25
35	AET11300	26" frame	GAET11300	124.95
35	AMT1054	30" frame	GAMT1054	129.95
36	ET17633	Adjuster, left front & right rear	GET17633	45.65
37	AMT100/ET17632	Adjuster, right front & left rear	GAMT100	46.45
38	AET11311	Clamp, Roller Bracket, incl. GET17646	GAET11311	18.95
39	ET17646	Stud, clamp	GET17646	3.25
40	ET17760	"Pin, 26"" Deflector"	GET17760	4.95
40	MT1980	"Pin, 30"" Deflector"	GMT1980	6.95
41	R50647	Hairpin Cotter, deflector	R50647	0.40
42	MT1966	Tyre, front 20-10 x 10 Soft Trac, 4 ply dico Titan	G700167	61.75
42	MT743	Tyre, rear 20-10 x 8 Soft Trac, 4 ply dicoTitan	G366790	53.95
43	19M7783	Bolt, M10 X 6	G19M7783	0.40
44	ET17645	Cap, cylinder bearing housing	GET17645	19.95
45	ET16424	Washer	GET16424	1.75
46	ET16678	Washer	GET16678	0.49
47	ET16425	Bolt	GET16425	7.15
48	ET16572	Nut	GET16572	3.35
49	H138435	Set Screw	GH138435	1.35
50	14M7152	Nut	G14M7152	0.10
51	ET17630	Torsion Spring, RH	GET17630	3.40
52	MT1520	Label	GMT1520	4.95
53	ET17629	Torsion Spring, LH	GET17629	3.40
54	MT2368	Solid Roller scraper assembly, 26" unit; includes GET17630, GET17629, G34M7010, GMT2594, G14M7303 & G21M7246	GMT2368	38.45
54	AMT1379	Solid Roller scraper assembly, 30" unit	GAMT1379	42.45
55	ET17758	Pin, 26" Scraper, Solid & Grooved Rollers	GET17758	4.95
55	MT1982	Pin, 30" Scraper, Solid & Grooved Rollers	GMT1982	6.45
56	34M7010	Spring, pin	G34M7010	0.14
57	19M8197	Cap Screw	G19M8197	0.39
58	14M7296	Flange Nut	G14M7296	0.30
59	03M7194	Bolt	G03M7194	0.29
60	A31867	Locknut	GA31867	0.60
61	ET17510	Spring	GET17510	11.45
62	24H1308	Washer	G24H1308	0.38
63	21M7246	Screw	G21M7246	0.14
64	MT2594	Blade, 26" scraper	GMT2594	8.95
64	MT2593	Blade, 30" scraper	GMT2593	9.35
65	14M7303	Flange nut	G14M7303	0.18
66	BM18554	Scraper kit, 30" units (set of 3) Fits JD 30" grooved rollers	GBM18554	124.95
66	BM18555	Scraper kit, 26" units (set of 3) Fits JD 26" grooved rollers"	GBM18555	104.95
67	MT2368	Scraper bar, 26" grooved roller	GMT2368	16.95
68	MT5159	Scraper bar, JD grooved roller, LH end	GMT5159	3.95
69	MT2342	Scraper bar, JD grooved roller, LH	GMT2342	2.75
70	MT2340	Scraper bar, JD grooved roller, centre	GMT2340	4.75
71	MT5158	Scraper bar, JD grooved roller, RH end	GMT5158	3.95
72	MT2341	Scraper bar, JD grooved roller, 30"	GMT2341	2.65
73	-	Scraper, fits Garffits 26" grooved roller	G500560	18.35
74	-	Scraper, fits Garffits 30" grooved roller	G500561	19.95
75	03M7251	Bolt, grooved roller scraper	G03M7251	0.40
76	14M7400	Locknut, 10mm	G14M7400	0.50
77	AET10701	Hydraulic filter	GAET10701	16.29
78	AM101378	Engine Oil filter (diesel)	GM806418	4.10
-	AM107423	Engine Oil filter (Kawasaki)	G40-304	5.98
-	M801101	Fuel filter (diesel)	GM801101	3.95
79	AET10880	Adjuster	GAET10880	8.75