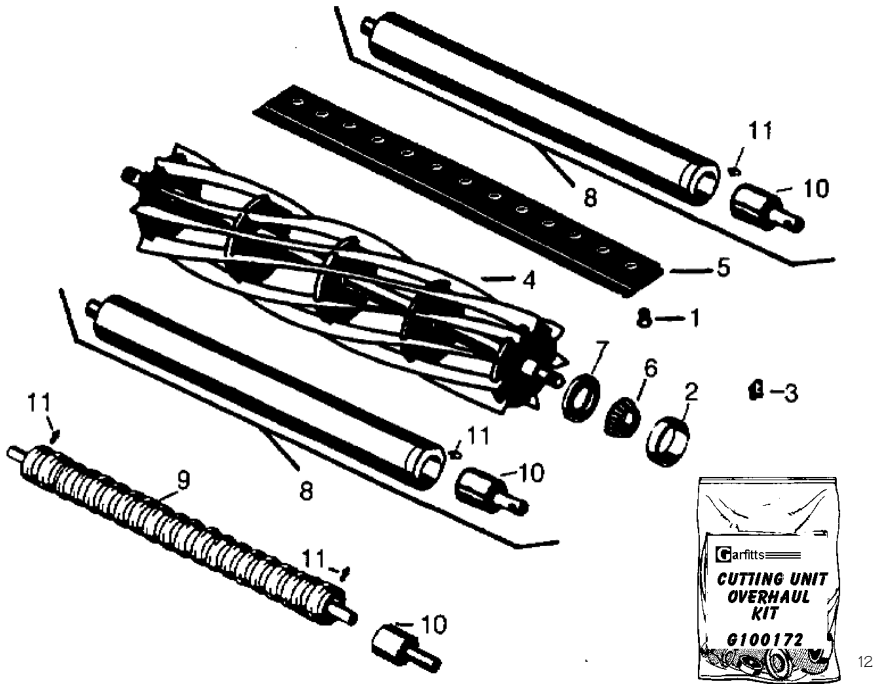


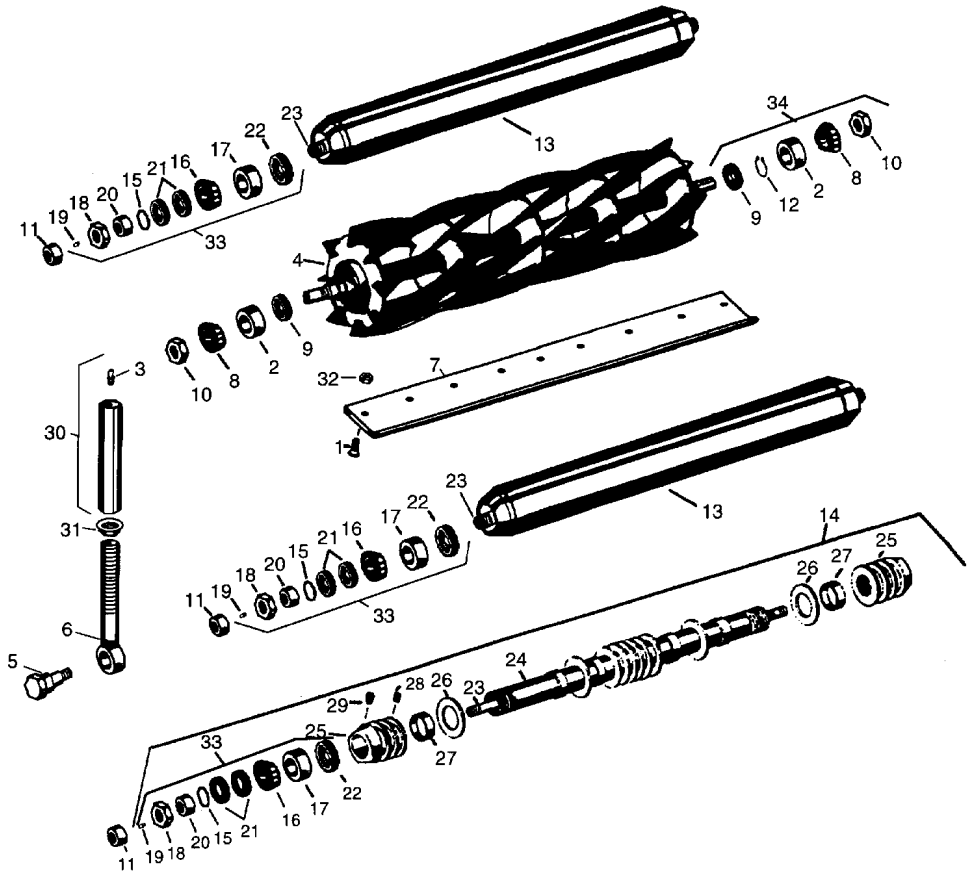
**3215 & 3235
MEDIUM CUTTING UNITS**



Key No	OEM Part No	Description	Our Part No	Price £
1	21M7194	Screw, Bed Knife M6 x 12	G101278	0.21
2	JD8226	Cup, Cylinder Bearing	G254-79	2.85
3	JD7759	Grease Nipple 1/8" Pipe	G471219	1.30
4	AET11237	Cylinder Assy, 7 Blade	GAET11237	132.00
5	ET17767	Bed Knife	GET17767	21.80
6	JD8188	Cone, Cylinder Bearing	G254-78	4.15
7	ET14566	Seal, Cylinder	GET14566	3.20
8	AET1011	Solid Roller, 2" Diameter.	GAET1011	72.95
9	AET10954	Machined Grooved Roller, 2" Diameter	GAET10954	109.95
10	AET10129	Bearing, Roller	GAET10129	15.95
11	JD7842	Grease Nipple	G302-5	0.52
12	-	Cutting Unit Overhaul Kit	G100172	19.95

TEL: (0114) 251 3344
FAX: (0114) 251 3000

3215 & 3235
HEAVY CUTTING UNITS



33



34



TEL: (0114) 251 3344
FAX: (0114) 251 3000

Parts are not original. OEM part numbers are for reference purposes only.

**3215 & 3235
HEAVY CUTTING UNITS**

Key No	OEM Part No	Description	Our Part No	Price £
1	19M7573	Screw, Bed Knife	G19M7573	0.38
2	JD8239	Cup, Cylinder Bearing	G254-90	2.95
3	JD7844	Grease Nipple	G302-5	0.52
4	AET11159	Cylinder Assy., & Blade	GAET11159	135.15
5	ET16896	Shoulder Bolt	GET16896	6.95
6	ET16897	Eye Bolt	GET16897	14.95
7	ET17751	Bed Knife	GET17751	21.95
8	JD8960	Cone, Cylinder Bearing	GJD8960	8.48
9	MT1115	Seal, Cylinder	GMT1115	2.10
10	MT1211	Locknut, Cylinder	GMT1211	2.05
11	MT74	Bushing, roller bracket	GMT74	1.10
12	N51168	Snap ring, cylinder housing	G32120-65	1.35
13	AET11263	Solid Roller, 3" H.D. x 23" Long	GAET11263	111.95
14	AET11262	Repairable Grooved Roller, 3" H.D. x 23" Long	G500512	152.95
15	U46731	O - ring	G237-54	0.30
16	JD8188	Bearing cone	G254-78	4.15
17	JD8226	Bearing cup	G254-79	2.85
18	N101345	Locknut	G3296-15	1.31
19	JD7759	Grease nipple	G471219	1.30
20	ET15726	Wear sleeve, hardened	GET15726	6.95
21	ET15755	Outer seal	GET15755	2.45
22	MT739	Inner seal	GET15756	2.65
23	ET17515	Shaft	GET17515	23.95
24	-	Threaded tube, grooved roller	G500513	27.95
25	-	Threaded roller end, 3"	G500511	41.95
26	-	3" washer, repairable grooved roller	G150673	0.60
27	-	1 1/4" H.D. Spacer, Repairable grooved roller	G150676	1.40
28	-	Nyloc set screw, 3/8"-16 x 3/8"	G150691	0.55
29	-	Pressure relief fitting	G170714	4.19
30	AET10880	Adjuster, Cylinder	GAET10880	8.75
31	ET17361	Flanged Nut, Eyebolt	GET17631	0.27
32	14M7396	Locknut, Flanged Nylon	G14M7396	0.36
33	AET10632	Roller Overhaul Kit, Fits 3" Solid and Grooved Rollers, contains 2 x GE115756, 2 x G254-79, 2 x G254-78, 2 x G237-54, 2 x GE115726, 2 x G3296-15, 4 x GE115755	GAET10632	38.95
34	-	Cutting unit overhaul kit, contains 1 x G32120-65, 2 x GMT1115, 2 x GMT1211, 2 x G254-90, 2 x GJD8960	G100174	33.55

E MAIL
sales@garfitts.com