

## AERCORE 800/1000/1500

OEM PART NO	DESCRIPTION	OUR PART NO	PRICE £
MT2971 	" Hollow Tine Side Ejector 3.5" (90mm) Long	G800650	£3.00
	" Hollow Tine Side Ejector Tungsten Tip 3.5" (90mm) Long	G800650-TP	£8.55
	" Hollow Tine Side Ejector 5.25" (133mm) Long	G800650-L	£3.49
	" Hollow Tine Side Ejector Tungsten Tip 4.625" (117mm) Long	G800650-LTP	£8.95
	3/8" Hole, Solid Tine 3.5" (90mm) Long	G201420	£1.20
	3/8" Hole, Solid Tine 4.25" (108mm) Long	G201420-L	£1.30
	3/8" Hole, Solid Tine 6" (152mm) Long	G201420-XL	£1.55
	3/8" Solid Tine Drilled through centre resulting in parallel wear pattern. 5.25" (133mm) Long	G201420-LH	£2.05
	" Solid Tine (3/8" Mounting) 3.75" (95mm) Long	G201421	£2.78
	3/8" (Quad) Mounting Cross Tine 2 X 500101 Quad Tine Holder 4.5" (114mm) Long	G201527	£7.98

**AERCORE 800/1000/1500**

OEM PART NO	DESCRIPTION	OUR PART NO	PRICE £
fl" Mounting dia 	1" Solid Tine 4.75" (120mm) Long	G201400	£3.80
fl" Mounting dia 	8mm Solid Tine 5.5" (140mm) Long	G201414	£3.88
fl" Mounting dia 	3/8" Solid Tine 5.5" (140mm) Long	G201415	£3.80
fl" Mounting dia 	fl" Solid Tine 5.75" (145mm) Long	G201416	£3.55
MT2969 fl" Mounting dia 	5/8" Solid Tine 6" (150mm) Long	G201417	£3.68
	8mm Needle Tine 7" long (178mm) Long	G201422	£1.85
	5mm Needle tine 4 3/8" long " (110mm) Long	G201423	£1.05
MT2964 fl" Mounting dia 	3/8" Hole, Hollow Tube Tine 4.75" (120mm) Long	G59-3690	£1.65

[www.tines.co.uk](http://www.tines.co.uk)

PARTS ARE NOT ORIGINAL  
OEM PART NUMBERS ARE FOR REFERENCE PURPOSES ONLY

WE GUARANTEE TO MEET OR EXCEED ORIGINAL MANUFACTURERS' STANDARDS

## AERCORE 800/1000/1500

OEM PART NO		DESCRIPTION	OUR PART NO	PRICE £
MT2965	1 1/2" Mounting dia	1 1/2" Hole, Hollow Tube Tine 5.5" (140mm) Long	G523472	£1.58
				
Special	1 1/2" Mounting dia	1 1/2" Hole, Heavy Duty Hollow Tube Tine (Thicker Wall) 5.5" (140mm) Long	G523472-HD	£3.35
				
	1 1/2" Mounting dia	1 1/2" Hollow Heavy Duty Tine Extra Long Fits Model 1500 only. 6" (152mm) Long	G100808-HD	£3.95
				
MT2966	1 1/2" Mounting dia	5/8" Hole, Hollow Tube Tine 5.5" (140mm) Long	G201410	£1.70
				
	1 1/2" Mounting dia	5/8" Hole, Heavy Duty Hollow Tube Tine (Thicker Wall) 5.5" (140mm) Long	G201410-HD	£3.95
				
	1 1/2" Mounting dia	5/8" Hollow Heavy Duty Tine Extra Long Fits Model 1500 only. 6" (152mm) Long	G100813-HD	£4.20
				
	1 1/2" Mounting dia	JRM™ 5/8" Hole, Hollow (Dillennium Tipped Tube Tine) 5.75" (146mm) Long	G201441-TP	£8.95
				
	1 1/2" Mounting dia	1 1/2" Hollow Core (Side eject) 4.25" (108mm) Long	G201521	£5.25
				

(HD) Denotes Heavy Duty which Out Lasts Standard Tines by over 2 to 1 with even depth over 18 Green's

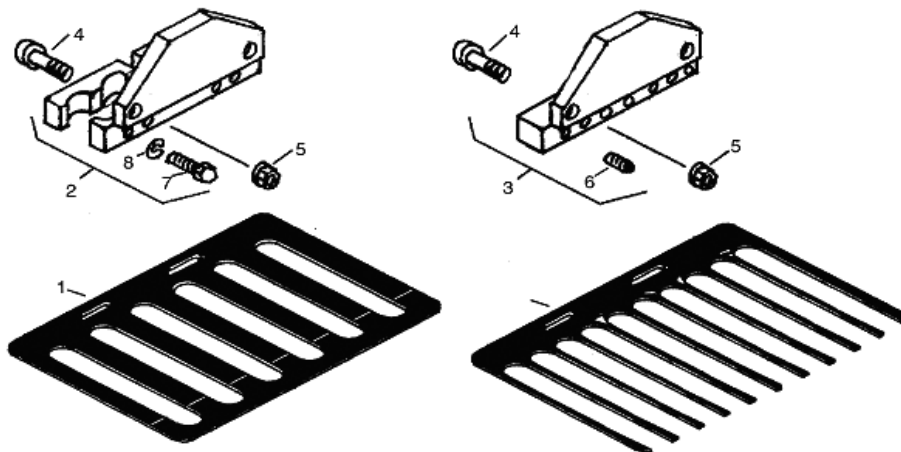
**AERCORE 800/1000/1500**

OEM PART NO	DESCRIPTION	OUR PART NO	PRICE £
fl" Mounting dia 	3/8" Hollow Core (Side eject) 6" (152mm) Long	G201522	£7.30
MT2967 fl" Mounting dia 	fl" Hollow Core (Side eject) 6.5" (165mm) Long	G201523	£7.30
fl" Mounting dia 	5/8" Hole, Hollow (Side Eject) 6" (152mm) Long	G201615	£7.60
fl" Mounting dia 	5/8" Side Eject Tine, Tungsten Tip 5.75" (146mm) Long	G201615-TP	£11.95
Special fl" Mounting dia 	Chisel Tine 4.75" (120mm) Long	G201255	£6.05
Special fl" Mounting dia 	JRM™ Cross Tine 5.5" (140mm) Long	G201260	£8.95
Special fl" Mounting dia 	JRM™ Cross Tine Dillennium Tip 5.5" (140mm) Long	G201263	£16.25

[www.tines.co.uk](http://www.tines.co.uk)

(HD) Denotes Heavy Duty which Out Lasts  
Standard Tines by over 2 to 1 with even depth  
over 18 Green's

## AERCORE 800/1000/1500



Item No	Description	OEM Part No	Part No	Price £
1	15" Steel Turf Hold Down, 4 Tine Holder	MT-3000	GMT 3000	£29.95
1	10- " Steel Turf Hold Down, 4 Tine Holder	MT-3001	GMT 3001	£26.95
1	17-1/2" Steel Turf Hold Down, 4 Tine Holder	MT-3743	GMT 3743	£29.95
1	13-1/2" Steel Turf Hold Down, 3 Tine Holder	MT-2998	GMT 2998	£27.95
1	10-5/8" Steel Turf Hold Down, 3 Tine Holder	MT-2999	GMT 2999	£24.95
2	Tine Holder, 3 x 1"	AMT 1595	GAMT 1595	£65.95
2	Tine Holder, 3 x 7/8"	RAMT 1611	GAMT 1611	£66.95
2	Tine Holder, 4 x 1"	AMT 1612	GAMT 1612	£68.95
2	Tine Holder, 4 x 7/8"	AMT 1613	GAMT 1613	£69.95
3	Tine Holder, 7 x 3/8"	AMT 1614	GAMT 1614	£44.95
4	Stud, 1/2"-20 x 1- "	MT 2952	GMT 2952	£1.26
5	1/2"-20 Flanged Top Locknut	MT 3395	GMT 3395	£2.95
6	Set Screw, 3/8"-16 x 1 Nyloc	R 34582	G34582	£2.95
7	Bolt, Hex Head 3/8"-16 x 1 1/2"	19H3124	G323-50	£0.50
8	Lockwasher, 3/8"	MT3949	G3253-21	£0.14

PARTS ARE NOT ORIGINAL  
OEM PART NUMBERS ARE FOR REFERENCE PURPOSES ONLY

WE GUARANTEE TO MEET OR EXCEED ORIGINAL MANUFACTURERS' STANDARDS