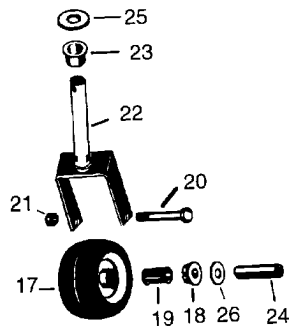
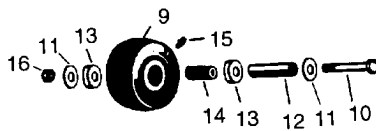
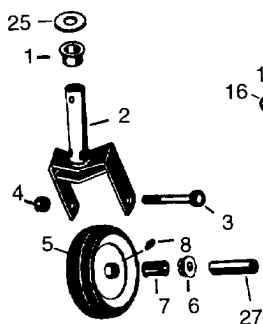


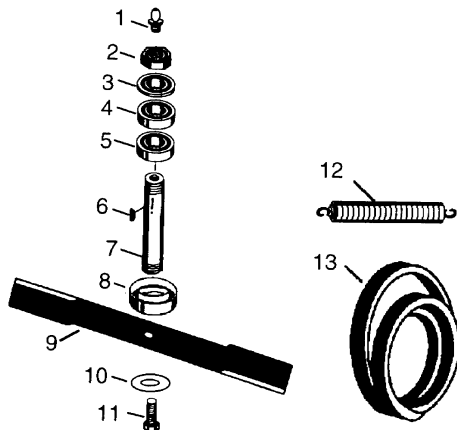
ROTARY MOWER



Key No	OEM Part No	Description	Our Part No	Price £
FRONT WHEEL ASSEMBLY - FITS 60", 72" & 76" DECKS				
1	M83541	Flanged bushing, Caster fork	GM83541	1.80
2	AM101016	"Caster Fork, fits 60", 72" & 76" decks"	GAM101016	49.95
3	19M7841	Bolt, caster wheel M12 X 170	G19M7841	2.75
4	14M7401	Locknut, M12 X 1.75	G14M7401	0.65
5	M90985	Tyre, 11-4.00 x 5 2ply Rib, Goodyear	G548545	21.95
5	M90989	Tyre, 11-4.00 x 5 4ply Smooth, Carlisle	GM90989	25.95
5	M90984	Tube, 4.10-5	GM90984	6.45
5	AM101589	Tyre & Wheel Assembly	G500550	54.95
6	-	Flanged bushing, use with Garfitts wheel only	G500551	2.25
7	-	Bearing, 3/4"ID X 1 3/8"OD X 1" Long, use with Garfitts wheel only	G500552	3.95
7	JD7495	Bearing, 3/4"ID X 1 1/8"OD X 1" Long, use with JD wheel only	GJD7495	2.60
8	-	Grease nipple	G302-5	0.50
27	M84516	Spacer	GM84516	4.25
-	M90983	Felt seal, use with JD wheel only	GM90983	0.85
REAR WHEEL ASSEMBLY - FITS 60" & 72" DECKS				
9	AM101029	Rear wheel assembly, includes items 11-15	GAM101029	13.65
10	19M7819	Bolt, caster wheel M12 X 90	G19M7819	1.75
11	M88385	Thrust washer, caster wheel	GM88385	0.35
12	M87636	Spacer, caster wheel	GM87636	2.95
13	M88384	Seal, caster wheel	GM88384	0.58
14	AM100638	Bearing w/sleeve	GAM100638	3.05
15	M87570	Grease fitting	GM87570	0.78
16	14M7401	Locknut	G14M7401	0.65
REAR WHEEL ASSEMBLY - FITS 76" DECKS				
17	M74566	Wheel & Tyre Assembly, includes G500551 & G500553	GM74566	44.95
18	-	Flanged bushing	G500551	2.25
19	-	Bearing	G500553	4.25
20	M74567	Bolt, hex hd, Caster wheel	GM74567	1.65
21	M74568	Locknut, caster wheel	G32146-13	0.75
22	M74564	Caster fork	GM74564	39.95
23	M83541	Flanged bushing, Caster fork	GM83541	1.80
24	M74565	Bushing, caster wheel	GM74565	6.95
25	PT8902	Washer, Caster fork	G24H1275	0.18
26	PT8900	Washer, rear caster wheel	GPT8900	0.25

Parts are not original. OEM part numbers are for reference purposes only.

ROTARY MOWER



Key No	OEM Part No	Description	Our Part No	Price £
1	JD7759	Grease nipple	GJD7759	1.30
2	M83539	Locknut	GM83539	1.75
3	M88669	Seal	G253-133	3.95
4	M88251	Spindle bearing, upper	GM88251	6.80
5	M88252	Spindle bearing, lower	GM88252	7.00
6	26H82	Key, spindle shaft	G26H82	0.35
7	AM100919	Use 1 each of GM88139 & GM88148		
7	M88149	Spindle shaft, 60" & 72" decks	GM88149	34.95
7	M70581	Spindle shaft, 76" decks	GM70581	39.95
8	M70582	Hub, spindle shaft, 76" decks	GM70582	10.05
8	M88148	Hub, spindle shaft, 60" & 72" decks	GM88148	8.40
9	AM100538	Rotary blade, 60" deck	G22-040	8.95
9	AM102401	Rotary blade, 72" deck	GAM102401	13.05
9	AM102688	Rotary blade, 76" deck	GAM102688	15.95
10	M83665	Thrust washer, blade 72" & 76" decks	GM83665	4.95
11	19M7343	Bolt, blade M16 X 60, 72" & 76" decks	G19M7343	1.25
12	M88294	Extension spring, idler arm, fits 50", 60" & 72" decks	GM88294	5.35
13	M87233	Deck belt, 60" deck	GM87233	38.75
13	M87373	Deck belt, 72" deck	GM87373	60.95
13	AM102190	Deck belt, 76" deck	GAM102190	44.95
13	M91365	Belt, blade to blade, 76" deck	GM91365	29.95



Our Guarantee

We guarantee products supplied will be of an equivalent or superior standard to that of the original

Parts are not original. OEM part numbers are for reference purposes only.