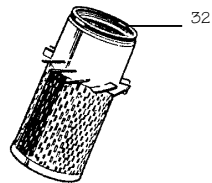
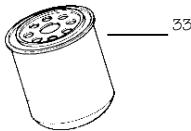
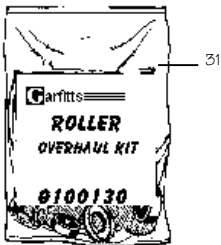
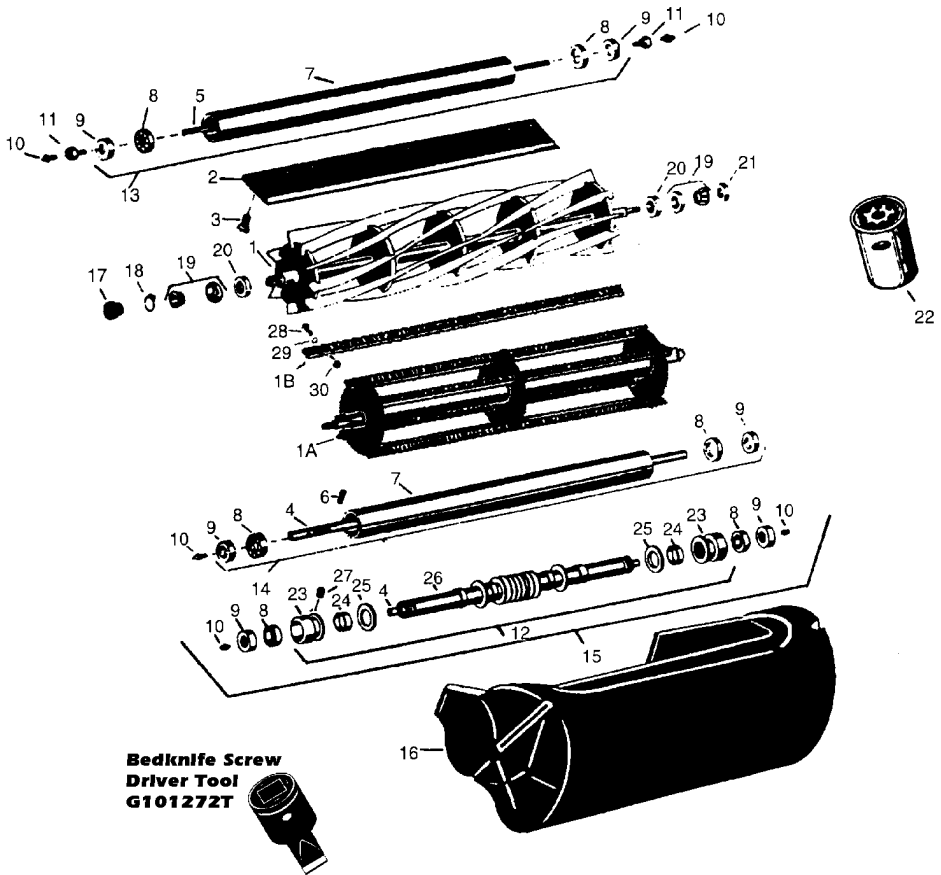


300 & 500
GREENS TRIPLE MOWER



TEL: (0114) 251 3344
FAX: (0114) 251 3000

300 & 500 GREENS TRIPLE MOWER

Key No	OEM Part No	Description	Our Part No	Price £
1	020800	Cutting Cylinder 9 Blade, fits 300	G020800	122.75
1	-	Cutting Cylinder 9 Blade heavy duty, fits 300	G020800H	122.75
1	-	Cutting Cylinder 5 Blade heavy duty, fits 300	G506517	112.00
1	012543	Cutting Cylinder 6 Blade, fits 300	G012543	112.00
1	18594	Cutting Cylinder 8 Blade heavy duty, fits 500	G018594	142.00
1A	-	Heavy Duty Brush Reel	G101488	105.95
1B	-	Brush with Frame	G150481	18.95
2	025531	Bed Knife Thin 3/32"	G101259	21.95
2	025517	Bed Knife Standard 1/8"	G101260	20.95
2	025504	Bed Knife Thick 3/16"	G101261	19.95
2	-	Bed Knife Super thick 5/16" Cut	G101262	19.55
3	003094	Bed Knife Screw (13 required)	G101272	0.20
3A	-	Driver tool, bed knife	G101272T	20.95
4	008482	Shaft, Front Roller	G102030	23.05
5	008464	Shaft, Rear Roller	G154909	23.05
6	12419	Roll pin 1/8 X 3/4	G012419	0.15
7	8462	Tube, front & rear roller (NLA use G158777 roller)	G129594	40.95
8	008474	Bearing , fits Lesco roller only	G008474	8.66
8	-	Bearing , fits Garfitts roller only	G303558	7.98
9	008475	Seal, fits Lesco roller only	G008475	2.75
9	-	Seal, fits Garfitts roller only	G305115	2.75
10	60078	Grease fitting	G302-5	0.50
11	12494	Bolt, rear roller	G345470	2.95
12	-	Repairable Grooved Tube Assembly, less bearing, shaft & seals	G129806R	55.95
13	008466	Rear Roller Assembly	G158777	84.50
14	-	Front Roller Assembly	G158776	84.50
15	008485	Repairable Grooved Roller Assembly	G68527R	111.25
16	025491	Grass Box	G36-7250	55.23
17	12089	Splined coupling, cylinder	G337370	3.48
18	11896	Retaining ring, 3/4"	G458013	0.33
19	10710	Bearing & Cup	G500534	7.05
20	008476	Seal, cylinder	G336962	2.89
21	008477	Seal, cylinder housing	G335435	2.05
22	012628	Hydraulic Oil Filter (K23018)	G74-3570	23.95
23	-	2" Threaded Roller End	G150650	26.45
24	-	Spacer, repairable grooved roller	G150651	0.40
25	-	Washer, repairable grooved roller	G150652	0.35
26	-	Threaded tube	G150654	15.95
27	-	Nyloc set screw, 1/4"-20 X 1/4"	G150690	0.40
28	-	Bolt, 8-32 X 5/8 Hex Hd.	G150425	0.10
29	-	Washer, 8-32	G150426	0.10
30	-	Locknut, 8-32	G3296-9	0.20
31	-	Roller Overhaul Kit (to rebuild one roller):includes: 2 X G302-5, 2 X G303558, 2 X G305115	G100130	21.37
32	-	Diesel (Kubota) Engine Air Filter	G33-1300	13.60
33	-	Diesel (Kubota) Engine Oil Filter	GK9023	6.80