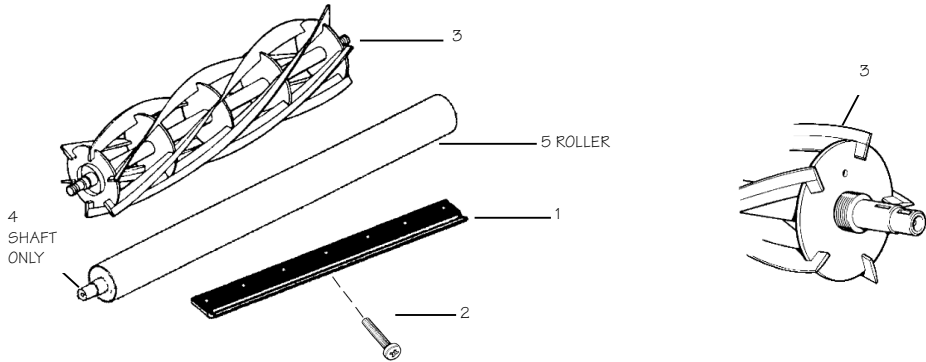
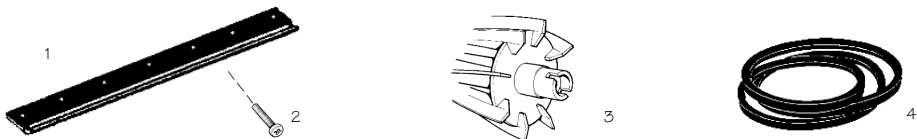


## GANG MOWER LEDA & GIANT 30" & 36" GROUND DRIVEN MACHINE



Key No	OEM Part No	Description	Our Part No	Price £
1	-	Bottom Blade 30"	G10002	19.25
1	-	Bottom Blade 36"	G10004	34.25
2	-	Bottom Blade Screw Plated	G60019	0.30
3	-	Cutting Cylinder 30" 4 Blade (7 3/4" Ø)	G70237	124.75
3	-	Cutting Cylinder 30" 5 Blade (7 3/4" Ø)	G70091	130.95
3	-	Cutting Cylinder 30" 6 Blade (7 3/4" Ø)	G70092	135.15
3	-	Cutting Cylinder 30" 5 Blade (10" Giant)	G70044	145.55
3	-	Cutting Cylinder 30" 6 Blade (10" Giant)	G70059	152.80
3	-	Cutting Cylinder 36"	G70093	185.00
4	-	Roller Shaft 30"	GEU732	30.31
4	-	Roller Shaft 36"	GEU732A	30.31
5	-	Heavy Duty 30" Roller Assembly, Repairable & Regreasable	G71017	139.95
-	-	Bearing Cone & Cup for Cutting Cylinder	GB119	19.75

## PALADIN CYLINDER MOWER



Key No	OEM Part No	Description	Our Part No	Price £
1	-	Bottom Blade 21" Machine - standard	G21008	13.95
1	-	Bottom Blade 21" Machine - shaver	G21008-S	14.50
1	-	Bottom Blade 18" Machine (Aerial)	G21006	15.60
2	-	Bottom Blade Screw (Plated) BSF	G60008	0.25
2	-	Blade Screw Whitworth (Late Type)	G60003	0.30
3	-	Cutting Cylinder 8 Bladed 21"	G70209	124.75
3	-	Cutting Cylinder 8 Bladed 18"	G70249	119.55
3	-	Cutting Cylinder 4 Bladed 18" (Aerial Mower)	G70210	106.00
4	B129F	Cylinder Drive Belt	GB129F	9.30

Parts are not original. OEM part numbers are for reference purposes only.