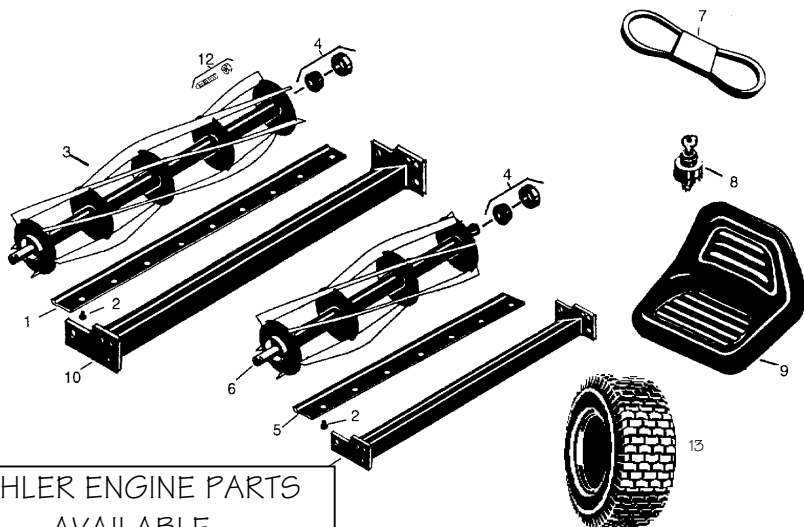


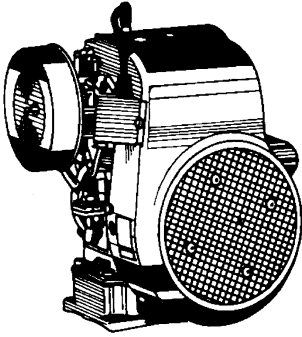
## MODEL 68



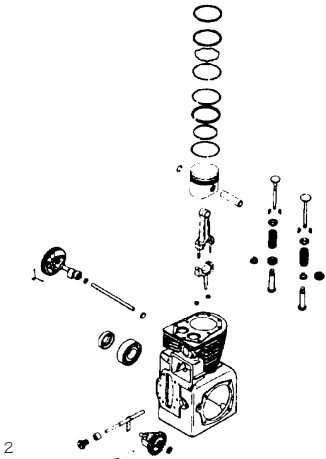
KOHLER ENGINE PARTS  
AVAILABLE

Key No	OEM Part No	Description	8.950ur Part/15.25 No	Price £
1	E317	Bed Knife, Rear with Rivets (30")	G17012	26.95
1	-	Bed Knife 30" c/s Screw Type (Countersunk)	G17012A	26.95
2	-	Rivet, 5/16 x 3/4	G17	0.26
2	-	Fixing Screw UNF	G60032	0.65
2	-	Fixing Nut	G60033	1.30
3	E318	Cylinder, 5 Blade Rear Unit, 6 3/4" Ø 30"	G70020	112.95
4	E323	Bearing, Cylinder	GB840	21.50
5	E358	Bed Knife, Wing Mower with Rivets (21")	G17011	23.95
5	-	Bed knife 21" long (later model) Screw Type	G17018	23.95
5	-	Bed Knife, 21" c/s Screw Type	G17011A	23.95
6	E360	Cylinder, 5 Blade Wing Unit, 5 fl" Ø	G70021	106.95
6	-	Cylinder, 5 Blade Wing Unit, 6 fl" Ø	G70021A	106.95
7	E310	Belt, Rear Mower, Drive	G310	8.60
7	A338	Belt, Engine	G338	9.30
7	A339	Belt, Main Drive	G339	15.85
7	E373B	Belt, Wing Mower, Drive	GE373B	9.30
8	A808B	Key Switch, 5 Lead	G12-8140	12.95
9	A306	Seat, Cushioned	GAAB03	82.95
10	E316 - 200231	Bed bar assembly, includes 30" bed knife	G200231	89.95
11	E356 - 200820	Bed bar assembly, includes 21" bed knife	G200820	79.95
12	E320A - E320B 200256	Screw & nut, cylinder bearing Adj.	G200256	2.95
13	-	Tyre 350/410 x 6	GL2485	17.95

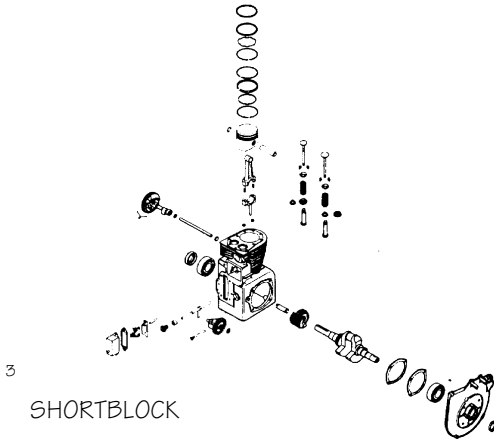
KOHLER ENGINE PARTS



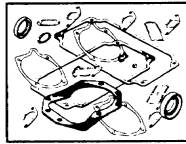
COMPLETE GENUINE KOHLER ENGINE  
PART NUMBER GKPA47827  
DISCONTINUED  
USE SHORTBLOCK  
OR MINIBLOCK



MINIBLOCK



SHORTBLOCK



4

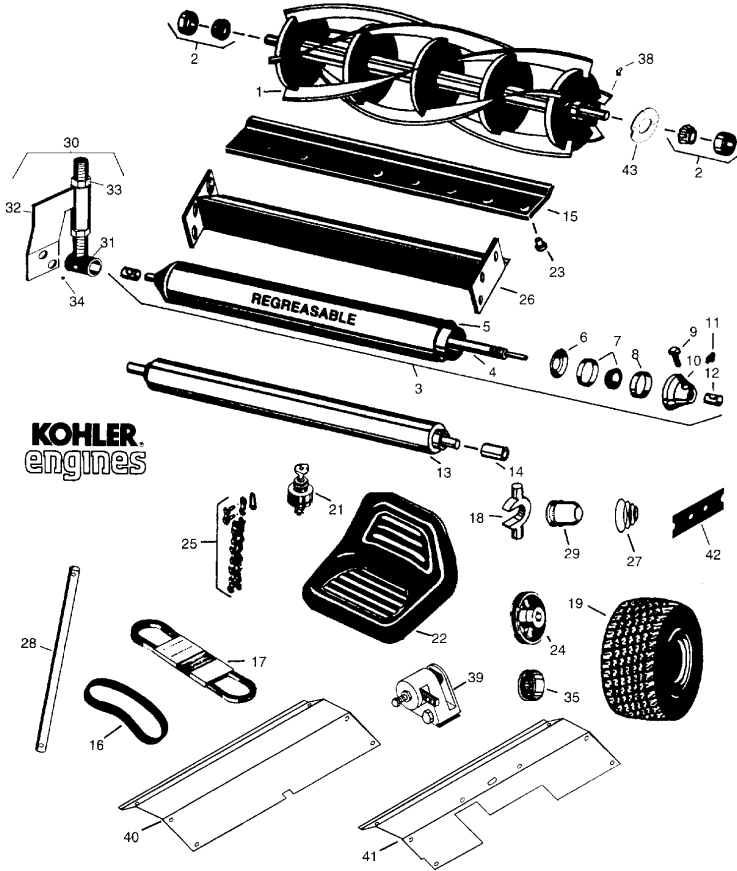


5

Key No	OEM Part No	Description	Our Part No	Price £
1	-	Complete Genuine Kohler Engine DISCONTINUED Use Shortblock or Miniblock	GKPA47827	N/A
2	-	Genuine Kohler Miniblock includes Gasket set with seals	GK4778252	543.55
3	-	Genuine Kohler Shortblock includes Gasket set with seals	GK7752233	637.61
4	-	Gasket set with seals	GK4775508	28.79
5	-	K Series - single cylinder engine service manual	GKTP2379	8.75

E MAIL  
sales@garfitts.com

MODEL 84



**KOHLER**  
engines

Key No	OEM Part No	Description	Our Part No	Price £
1	E838-5	Cylinder, 5 Blade	G70045	120.00
1	E838-6	Cylinder, 6 Blade	GE838-6	123.00
2	E840	Cylinder Bearing with Cup	GB840	21.50
3	E877	Regreasable Roller Assembly, 3' Ø	G700510	120.50
4	-	Shaft, Regreasable Roller	G700511	24.95
5	-	Tube, Roller with Races	G700515	60.45
6	-	Grease Retainer	G700502	0.95
7	-	Bearing & Cup, Roller	G500534	7.95
8	-	Seal, Roller	G328062	2.80
9	-	Screw, Square HD Set	G412063	0.59

Parts are not original. OEM part numbers are for reference purposes only.

MODEL 84

Key No	OEM Part No	Description	Our Part No	Price £
10	-	Regreasable Roller End, Hardened	G700501	25.46
11	-	Grease Nipple	G302-5	0.52
12	-	Spacer, Roller End	G700401	2.45
13	E835	Roller, 2 3/8"Ø	GE835	59.95
14	E850	Bushing, Roller	GE850	3.25
15	E831	Bed Knife with Rivets	G17012	26.95
15	-	Bed Knife, c/s Screw Type	G17012A	26.95
16	AA805	Belt, Fits Briggs & Kohler Engines, Torque Team	GAA805	19.10
16	A805	Belt, Fits Wisconsin Engine, Torque Team	G310	8.28
17	AA806	Belt, High Speed for Briggs & Kohler	GAA806	8.75
17	A806	Belt, High Speed, for Wisconsin Engine	GA806	8.15
17	A810	Belt, Main Drive	G810	19.32
17	E846A	Belt, Wing Mower	GE846A	12.50
17	E846B	Belt, Rear Mower	GE846B	13.10
18	D840B	Clutch Brass Yoke	GD840B	5.85
19	-	Tyre, 23-8.50 x 12, 4 Ply (Rear) (Goodyear)	G700180	69.75
19	-	Tube, 23-8.50-12	G700188	15.95
19	B830	Tyre, 4.80 x 8 Industrial Stud (Front)	G231-3	32.95
19	B830	Tyre, 16-6.50 x 8 TL Rib 4 Ply	G700190	42.75
19	-	Tube, 16-6.50 x 8	G700190T	11.55
20	D831	Clutch Disc	GD831	8.95
21	A808B	Key Switch, 5 Lead	G12-8140	12.95
22	AA803	Seat, Cushioned	GAA803	82.95
23	-	Rivet, Bed Knife, 5/16" x 3/4"	G17	0.26
23	-	Screw, Bed Knife, use with G700405	G150476	0.20
24	D815	Pulley, Countershaft	GD815	15.45
24	E826	Cylinder, Pulley, Low Speed	GE826	16.75
25	E847	Chain, Rear Mower	GE847	10.65
26	E866	Bed Bar, with Threaded Holes	G700405	101.95
27	D848	Spring, Clutch	GD848	1.95
28	E821	Pull Rod, Wing Mower	GE821	9.95
29	DD835	Clutch Throwout, Hardened	GDD835	12.33
30	EE876AL	Roller Bracket Assembly, LH Fits 3" Rollers Only	GEE876AL	18.75
30	EE876AR	Roller Bracket Assembly, RH Fits 3" Rollers Only	GEE876AR	18.75
31	-	Threaded Rod with Tube	G700410	8.35
32	-	Bracket LH	G700411	10.45
32	-	Bracket RH	G700412	10.45
33	-	Nut, 5/8-11	G700413	0.50
34	-	Set Screw, 5/16-18 x 1/4"	G415521	0.22
35	DD803A	Lower Countershaft Bearing	GDD803A	15.70
36	D845	Spacer, Clutch Shaft	GD845	0.89
37	D829	Bearing Clutch	GD829	3.55
38	-	Threaded Nipple 45°	G700414	1.05
39	07054	Disc brake	G07054*	42.95
40	EE823B	Shield, wing mower	GEE823B*	24.95
41	EE823A	Shield, rear mower	GEE823A*	25.95
42	501191	Vertical mower blade, 1/16"	G501191*	1.40
43	E839 201437	Bearing adjuster, cylinder	G201437*	1.50