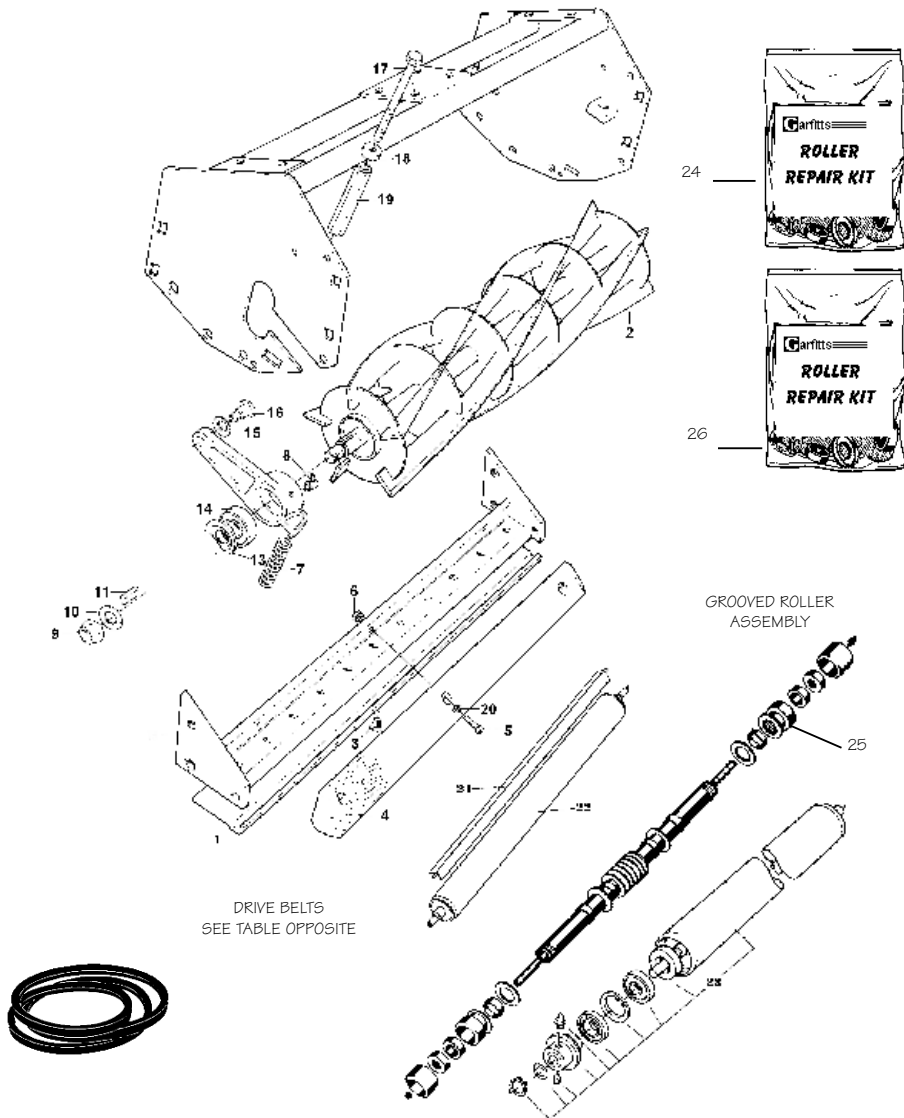


**MOTOR 180 / 180D**



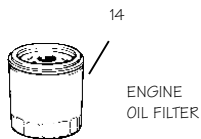
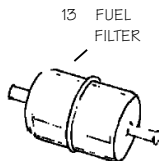
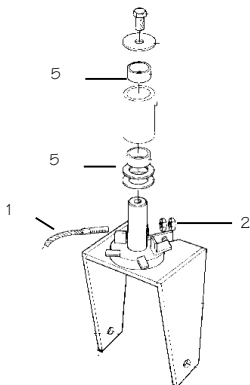
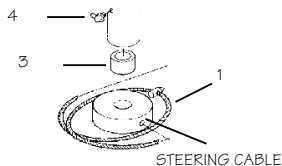
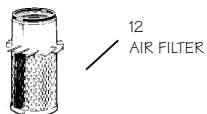
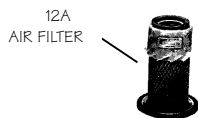
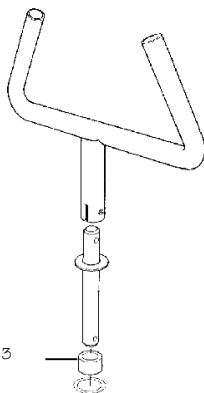
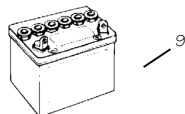
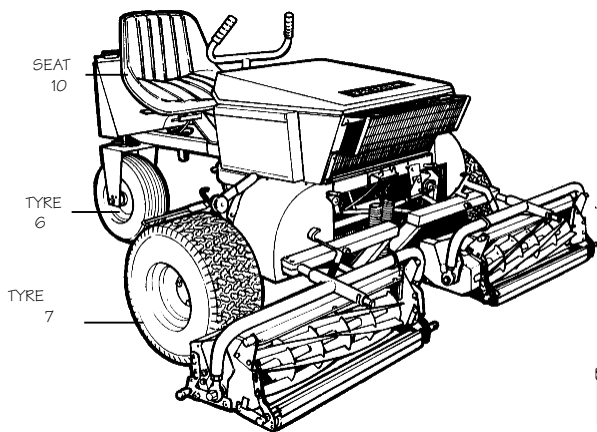
**TEL: (0114) 251 3344**  
**FAX: (0114) 251 3000**

**MOTOR 180 / 180D**

Key No	OEM Part No	Description	Our Part No	Price £
1	MBA7074	Bed Knife 6 Hole 10mm Cut	G07013	14.95
1	MBA7082	Bed Knife 6 Hole 8mm Cut	G07013L	15.25
1	MBA7087	Bed Knife 11 Hole 10mm Cut	G07013A	14.95
1	MBA7088	Bed Knife 11 Hole 8mm Cut (Floating Head)	G07013AL	15.25
2	MBB9690	Cutting Cylinder 5 Bld. L/H Drive 1 Fitted	G70238	107.00
2	MBB9691	Cutting Cylinder 5 Bld. R/H Drive 2 Fitted	G70239	107.00
2	MBC9370	Cutting Cylinder 7 Bld. L/H Drive 1 Fitted	G70240	116.50
2	MBC9371A	Cutting Cylinder 7 Bld. R/H Drive 2 Fitted	G70241	116.50
2	MBE1826A	Cutting Cylinder 11 Bld. L/H Drive 1 Fitted	G70242	141.50
2	MBE1827A	Cutting Cylinder 11 Bld. R/H Drive 2 Fitted	G70243	141.50
3	A119001	Screw (Plated)	G60012	0.21
4	MBB9797	Wood Fillet	GMBB9797	13.95
5	A112107	Screw	GA112107	0.13
6	A130005	Nut	GA130005	0.12
7	A291017	Spring	GA291006	1.98
8	A299306	Grease Nipple 45°	GA299306	0.45
9	A133212	Locknut	GA133212	0.42
10	A150012	Washer	GA150012	0.14
11	A160088	Key	GA160088	0.62
13	A228204	Nylos Ring	GA228204	2.45
14	A203604	Bearing, Cutting Cylinder	GA203604	5.15
15	H083023	Disc Spring	GH083023	0.40
16	MBB9832	Shoulder Pin	GMBB9832	6.95
17	A109073	Bolt Adjusting	GA109073	1.78
18	A229935	Seal	GA229935	0.85
19	MBC4728	Locknut	GMBBC4728	7.65
20	A150005	Washer	GA150005	0.03
21	MBC9147	Scraper	GMBBC9147	9.75
22	A896305	Roller Assembly Regreasable (as original)	GA896305	84.30
23	-	Superior Quality Roller Assembly Completely Repairable	G71025	111.25
24	-	Roller Repair Kit (For Above G71025 Only)	G71025SK	22.95
25	-	Grooved Roller (OEM)	G170700R	POA
26	-	Overhaul Kit (For Above)	G170700RSK	POA
<b>DRIVE BELTS</b>				
-	BAM8023	Poly Vee Belt Petrol Model	GBAM8023	19.40
-	A491038 A491028	Poly Vee Belt Diesel Model	GA491038	17.95
-	A491010	Vee Belt Fixed Head (1)	GA491010	16.95
-	A491033 A491020	Vee Belt Floating Head (2)	GA491033	9.95
-	A491009	Vee Belt Fixed Head (2)	GA491009	9.95
-	A491032 A491019	Vee Belt Floating Head (1)	GA491032	10.05
-	A430750 A491029	Belt Hydraulic Pump Drive (Diesel)	GA430750	10.05
-	A491023	Belt Hydraulic Pump Drive (Petrol)	GA491023	14.50

**E MAIL**  
**sales@garfitts.com**

**MOTOR 180 / 180D**



**TEL: (0114) 251 3344**  
**FAX: (0114) 251 3000**

**MOTOR 180 /180D**

Key No	OEM Part No	Description	Our Part No	Price £
1	BAM6011	Steering Cable	GBAM6011	20.75
2	G5F2072AB	Nut	GF2072AB	0.18
3	G5F30025G	Bush	GF30025G	2.08
4	G5F2540AT	Grease Nipple 45°	GF2540AT	0.48
5	G5F3003BH	Bush	GF3003BH	3.18
6	A817039	Tyre (Steering) 16x6.5x8.4 Ply	G700190	42.75
6	-	Tube 16.650.8	G700190T	11.55
7	A817053	Tyre 20-10-8 Soft Trac (Later Models)	G700196	59.75
7	-	Tube for 20-10-8	G700196T	11.95
7	A817053	Tyre 18x850x8 Turf Trac	G700160	49.75
7	-	Tube for 18x850x8	G700131	13.95
8	A819154	Hydraulic Oil Filter	GA819154	13.75
9	A823012	Battery Petrol Machine (Dry Charged) Acid required	G99213	31.95
9	A823015	Battery Diesel Machine (Dry Charged) Acid required	G99D51	29.95
10	-	Seat, Without Arm Rests (Black)	GAA803	79.95
11	-	Air Filter (Briggs Vanguard)	G63-336	6.13
11	-	Air Filter (Briggs 253417)	G63-335	3.75
12	H190135 A819022	Air Filter (Kubota D662)	G9031	9.95
13	-	Fuel Filter Diesel (Metal - In Line)	G18-1520	3.95
13	-	Fuel Filter Petrol	G50105	1.60
14	-	Engine Oil Filter (Briggs)	G614-072	5.28
14	-	Engine Oil Filter (Kubota)	GK9027	6.95

**ALL ORIGINAL EQUIPMENT MANUFACTURERS NAMES AND PART NUMBERS ARE USED FOR IDENTIFICATION PURPOSES ONLY.**

**WE ARE NOT IMPLYING THAT THE PARTS ARE ORIGINAL EQUIPMENT PARTS.**

(UNLESS REFERRED TO AS GENUINE)

**E-MAIL**  
**sales@garfitts.com**

Parts are not original. OEM part numbers are for reference purposes only.