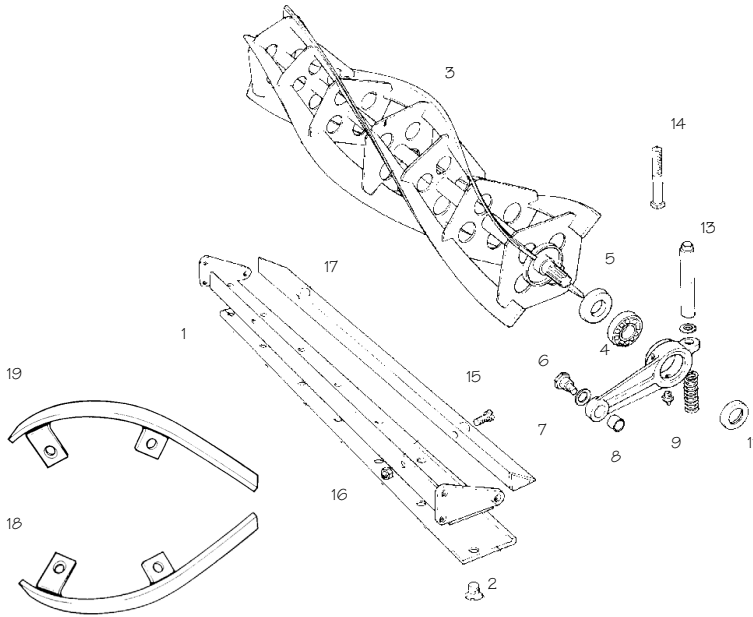


MOTOR TRIPLE



| Key No | OEM Part No | Description | Our Part No | Price £ |
|--------|-------------|-------------------------------------|-------------|---------|
| 1 | MBA7024 | Bed Knife | G07005 | 14.70 |
| 2 | A119000 | Screw, Bottom Blade Plated | G60018 | 0.26 |
| 3 | MBCB870A | Cutting Cylinder, 4 bladed metric | G70011 | 120.00 |
| 3 | - | Cutting Cylinder, 4 Bladed Imperial | G70010 | 111.55 |
| 4 | H001204 | Bearing, Cutting Cylinder | GH001204 | 9.30 |
| 5 | A220400 | Seal, Cutting Cylinder | GA220400 | 1.42 |
| 6 | LM9D358 | Pivot pin Assembly | GLM9D358 | 6.95 |
| 7 | H083023 | Disc Spring | GH083023 | 0.37 |
| 8 | G5F3010JD | Bush | GF3010JD | 3.05 |
| 9 | G5F2540AC | Lubricator | GF2540AC | 0.51 |
| 10 | A291006 | Adjusting Spring | GA291006 | 1.98 |
| 11 | A220250 | Oil Seal | GA220250 | 1.34 |
| 12 | G5F2150F | "Washer 7/16"**** | GF2150F | 0.03 |
| 13 | MBB2850A | Adjuster | GMBB2850A | 14.75 |
| 14 | MBB2559 | Adjuster Bolt | GMBB2559 | 3.09 |
| 15 | G5F2012CL | Screw, Pan head wood fillet fixing | GF2012CL | 0.15 |
| 16 | G5F2051AA | Nut for the above | GF2051AA | 0.18 |
| 17 | MBA1332 | Wood Fillet | GMBB1332 | 12.45 |
| 18 | MBB9983 | Skid, Right Hand | GMBB9983 | 10.95 |
| 19 | MBB9999 | Skid, Left Hand | GMBB9999 | 10.95 |

Parts are not original. OEM part numbers are for reference purposes only.