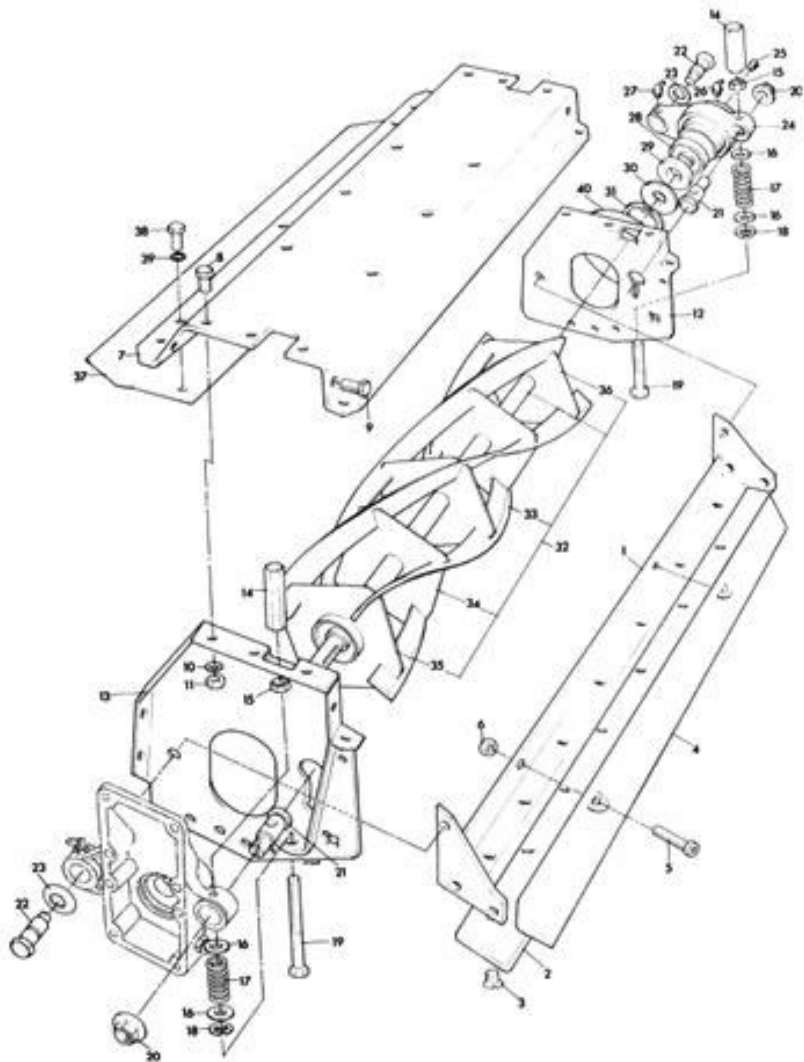


MOTOR 350D (Mk II/III)  
REPLACEMENT PARTS FOR CUTTING UNIT MAGNA



TEL: (0114) 251 3344  
FAX: (0114) 251 3300

E-MAIL  
[sales@garfitts.com](mailto:sales@garfitts.com)

**MOTOR 350D (Mk II/III)**  
**REPLACEMENT PARTS FOR CUTTING UNIT MAGNA**

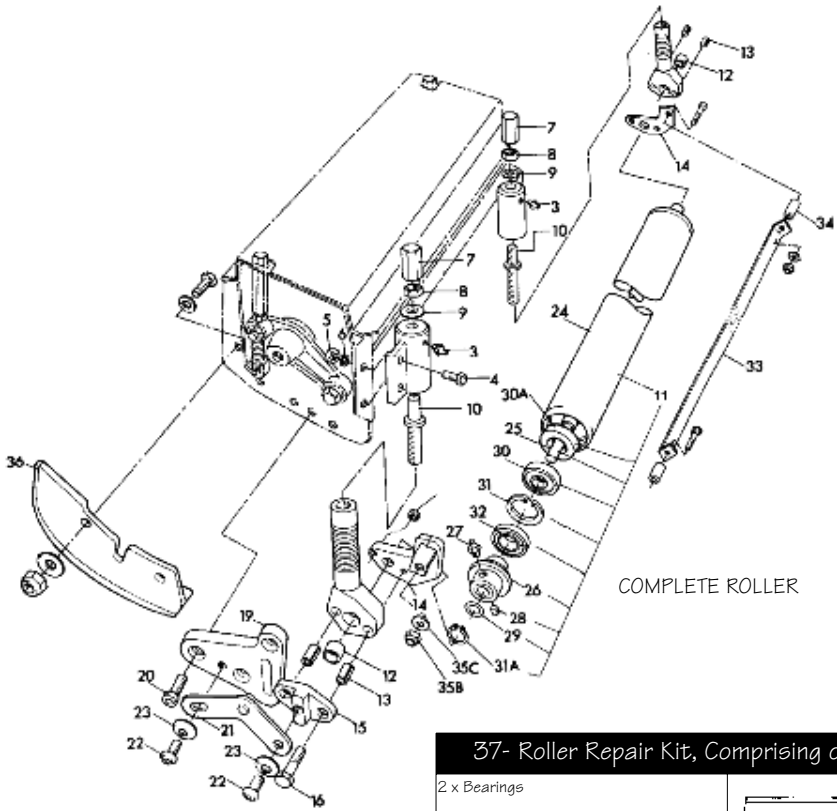
Key No	OEM Part No	Description	Our Part No	Price £
1	LMAA382C	Bottom Block Assembly (MBC9246A)	GMAA382	138.00
2	MBA7024A	Bottom Blade	G07005	14.70
-	MBA7037A	Bottom Blade Low Cut	G07005A	16.95
3	MBC8330B	Cutting Cylinder 4 Bld. 10"Ø	G7006B	111.25
3	MBC8329B	Cutting Cylinder 6 Bld. 10"Ø	G70066	115.95
3	-	Cutting Cylinder 5 Bld. 10"Ø	G70068B	116.95
3	MBC9793	Cutting Cylinder 8 Bld. 10"Ø	G70066A	149.95
4	MB2469	Wood Fillet	GA904332	11.95
5	A112206	Screw M6	GA112206	0.16
6	A130006	Nut M6	GA130006	0.14
8	A110405	Screw M10	GA110405	0.33
9	A110407	Screw M10	GA110407	0.34
10	A151010	S.L. Washer 10mm	GA151012	0.05
11	A130010	Nut M10	GA130010	0.15
14	MBC2563	Adjuster	GMBB2563	6.95
15	A130010	Nut M10	GA130010	0.15
16	A150010	Washer 10mm	GA150010	0.08
17	A291006	Spring	GA291006	1.98
18	G5F1057BH	Circlip	GF1057BH	0.25
19	MBB2559	Adjusting Screw	GMBB2559	3.95
20	A133312	Stiffnut M12	GA133312	0.49
21	MBC5941	Clamp Pivot	GMBC5941	13.50
22	GMBB2562A	Pivot Bolt	GMBB2562A	9.45
23	H083025	Disc Spring	GH083025	0.51
25	G5F2510C	Plug	GF2510C	0.40
26	A299306	Lubricator	GA299306	0.45
27	A299306	Lubricator	GA299306	0.45
28	A203605	Ball Bearing	GA203605	4.95
29	A229401	Felt Seal	GA229401	0.65
30	MBB2571	Seal Housing	GMBB2571	5.95
31	A170052	Circlip	GA170052	0.54
32	A912006	Guard	GA912006	0.98
33	A119000	Screw, Bottom Blade	G60018	0.25



*Our Guarantee*

*We guarantee products supplied will be of an equivalent or superior standard to that of the original*

**MOTOR 350D (Mk II/III)**  
**REPLACEMENT PARTS FOR FIXED HEAD MAGNA 10"ø**



**37- Roller Repair Kit, Comprising of:-**

2 x Bearings	
2 x O- Rings	
2 x Oil seals	
2 x Snap Ring	
2 x Grease Nipple	
2 x Set Screw	
To Rebuild 1 GLMAA356 Roller Assy	

**For Sportscutter Floating/Fixed Head Cutting Unit Roller**  
**Refer to Motor 213D**

Parts are not original. OEM part numbers are for reference purposes only.

**MOTOR 350D (Mk II/III)**  
**REPLACEMENT PARTS FOR FIXED HEAD MAGNA 10"ø**

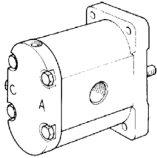
Key No	OEM Part No	Description	Our Part No	Price £
3	A29301	Lubricator	GA29301	0.26
4	A110406	Screw M10	GA110406	0.30
5	A130010	Nut M10	GA130010	0.15
6	A151012	S.L. Washer 10mm	GA151012	0.05
7	MBB2580	Adjuster	GMBB2580	7.35
8	A130010	Nut M10	GA130010	0.15
9	H083026 A292121	Disc Spring	GH083026	0.42
10	MBB2579	Adjusting Screw	GMBB2579	7.80
12	MBB2587	Rubber Bush	GMBB2587	2.45
13	A141547	Dowel	GA141547	0.45
14	MBC8873	Scraper Support	GMBC8873	8.95
15	MBB9663	Plate	GMBB9663	19.45
17	G5F2154CE	Washer	GF2154CE	0.12
18	A130006	Nut M6	GA130006	0.14
19	MBB9657	Plate LH	GMBB9657A	25.20
-	MBB9658	Plate RH	GMBB9658	25.20
20	G5F2015CF	Screw	GF2015CF	0.40
21	MBB9664	Lever LH	GMBB9664	14.15
-	MBB9667	Lever RH	GMBB9667	14.15
22	A129006	Screw M10	GA129006	0.64
23	A292080	Disc Spring	GA292080	0.75
11	LMAA356	Rear Roller Assembly	GLMAA356	106.35
-	-	Budget roller assembly (not illustrated)	G71091	69.95
24	MBB6764C	Roll Tube for GLMAA356	GMBC6764C	38.95
25	MBB6766A	Roller Shaft for GLMAA356	GMBB6766A	25.92
26	MBB6762B	Boss for GLMAA356	GMBB6762	14.05
27	A29301	Lubricator for GLMAA356	GA29301	0.26
28	A122293	Grubscrew for GLMAA356	GA122293	0.22
29	A221114	O Ring for GLMAA356	GA221114	0.20
30	A203203	Bearing for GLMAA356	GA203203	3.30
30A	A220200	Oil Seal (if fitted) for GLMAA356	GA220200	0.76
31	A170040	Circlip for GLMAA356	GA170040	0.43
31A	A171016	Circlip	GA171016	0.24
32	A220250	Oil Seal	GA220250	1.29
33	MBC8874	Scraper	GMBC8874	7.05
36	MBC8985	Skid	GMBC8985	11.32
37	-	Roller Repair Kit for GLMAA356	GLMA356RK	12.65

**E-MAIL**  
**sales@garfitts.com**

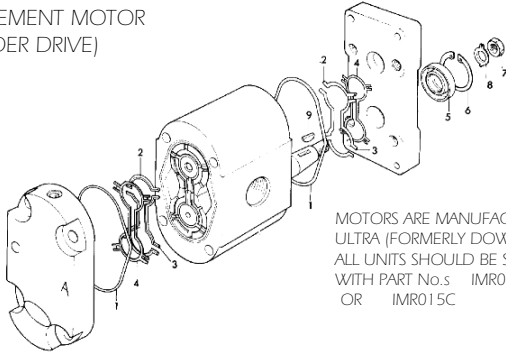
**TEL: (0114) 251 3344**  
**FAX: (0114) 251 3300**

## MOTOR 213D

### PARTS FOR FLOATING HEAD TWIN ROLLER UNITS SPORTSCUTTER 8" ø

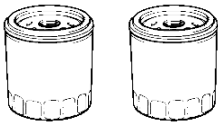


10 - REPLACEMENT MOTOR  
(CYLINDER DRIVE)



MOTORS ARE MANUFACTURED BY  
ULTRA (FORMERLY DOWTY)  
ALL UNITS SHOULD BE STAMPED  
WITH PART No.s IMR015A  
OR IMR015C

HYDRAULIC FILTERS



11

12

Key No	OEM Part No	Description	Our Part No	Price £
1-9		Seal Kit		
2		Items 1-9 Inclusive OEM Only		
3	A809615		GA809615	116.85
4				
5	A229945	Seal Drive Shaft (Triple)	GA229945	6.15
6	A222999	29mm Internal Circlip Seal Retainer	GA222999	0.50
7	G5F2015AD	Nut	GF2051AD	0.50
8	H200038	Tab Washer	GH200038	0.72
9	G5F2230AE	Key	GF2230AE	0.35
10	A809210	L/H Drive Unit Motor	GA809210	265.00
10	A809211	R/H Drive Unit Motor (Clockwise)	GA809211	265.00
11	A819142	Hydraulic Oil Filter (Transmission)	GA819142	10.95
12	H290733	Hydraulic Oil Filter (System Filter)	GH290733	8.95

[www.tines.co.uk](http://www.tines.co.uk)

[www.garfitts.com](http://www.garfitts.com)

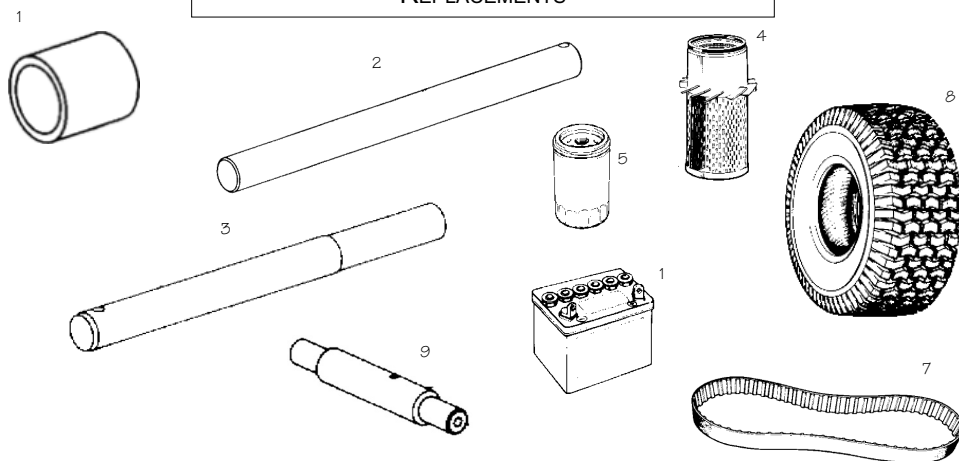
TEL: (0114) 251 3344

FAX: (0114) 251 3300

E-MAIL  
[sales@tines.co.uk](mailto:sales@tines.co.uk)

E-MAIL  
[sales@garfitts.com](mailto:sales@garfitts.com)

**MOTOR 350D (MkII & MkIII)**  
REPLACEMENTS



Key No	OEM Part No	Description	Our Part No	Price £
1	GSF3003BM	Pivot Mounting Bush (Floating Head)	GF3003BM	4.54
1	GSF3002TG	Pivot Mounting Bush (Floating Head)	GF3002TG	3.35
1	A210175	Pivot Bush (Fixed Head & Lift Unit)	GA210175	5.75
2	MBB7712A	Pivot Shaft - fixed head (Front & Centre Units)	GMBB7712A	9.95
2	MBC0092D	Pivot Shaft - fixed head (Wing Units)	GMB0092D	12.95
3	MBC6041	Pivot Shaft - floating head (Front Units)	GMBC6041	16.05
3	MBC0741	Pivot Shaft - floating head (Wing Units)	GMBC0741	8.95
3	MBC0643A	Pivot Shaft - floating head (Centre Units)	GMB0643A	16.05
-	-	Fuel Filter Element	G9070	4.85
4	A819168	Air Filter (Kubota 15471-1101-0) for MK I / II	GA819168	14.95
4	A819016	Air Filter for MK III / IV	GA819016	10.95
5	-	Engine Oil Filter	G9071	5.95
6	A823009	Battery (392)	G99093	42.25
7	A490600	Pump drive belt (triple) OEM Only	GA490600	122.01
8	A817048	Tyre 26 x 12 x 12 (Multitrac)	G366292	109.95
9	MBC0805	Pivot pin	GMBC0805	10.95

**All Tyres and Tubes available.  
Please enquire**

**E-Mail**  
**sales@garfitts.com**