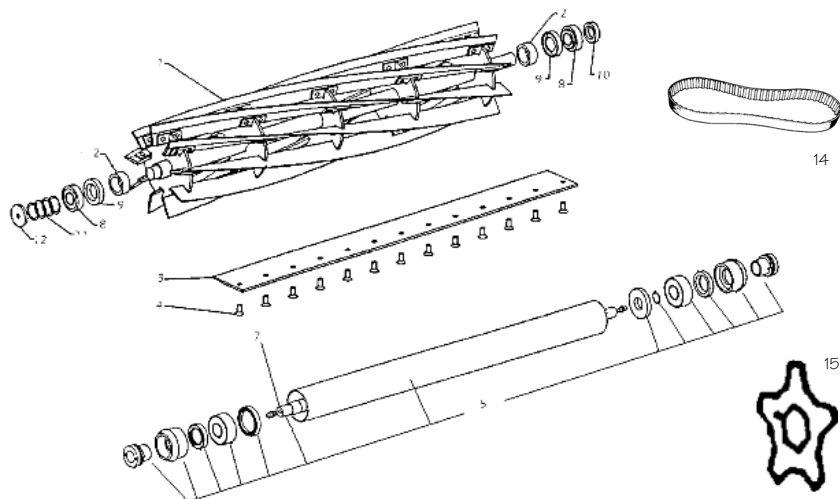


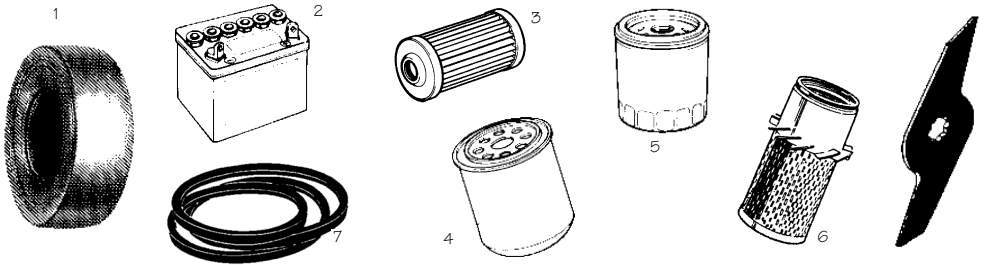
GREENS TRIPLE MOWER MODEL GT CHAMPION CLASSIC



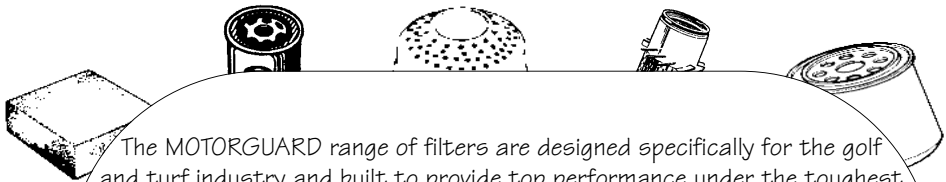
Key No	OEM Part No	Description	Our Part No	Price £
1	MBC1850-1	9 Bladed Cylinder (as illustrated)	G70273A	124.75
1	-	7 Bladed Cylinder (Heavy duty)	G70273	108.00
1	-	Model 171 9 Bladed Cylinder (also fits GT with Groomers)	G70274	128.95
Centre shaft is identical at each end of this model				
2	MBB4932	Sleeve	GMB4932	5.95
3	MBA7068	Bottom Blade (Grooved)	G20001	15.95
3	MBA7077	Bottom Blade (Shaver)	G06006	17.95
3	MBA7069	Bottom Blade (Lipped)	G18005	16.95
4	G5F2100EF	Screw (13)	G101272	0.20
5	MBC1187A	Roller Assembly Solid	G71029	105.95
6	-	Roller Repair Kit	G710295K	14.20
7	MBC8216	Roller Shaft (Solid Roller)	GMB8216	42.40
8	H002795	Cylinder Bearing	GH002795	6.15
9	A220300	Seal	GA220300	1.48
10	A229905	Seal	GA229905	1.55
12	MBC9259	Disc	GMB9259	3.35
13	A160068	Drive Key	GA160068	0.56
DRIVE BELTS				
14	A492104 A492109	Hydraulic Motor to Cylinder	GA492104	8.90
14	A492105 A492110	'O' Ring Drive	GA492105	8.95
14	A492106	Brush to Vertigroom	GA492106	9.85
15	A920286	Groomer Blade	GA920286	1.05

Parts are not original. OEM part numbers are for reference purposes only.

GREENS TRIPLE MOWER MODEL GT CHAMPION CLASSIC



Key No	OEM Part No	Description	Our Part No	Price £
1	-	Tyre - Smooth	G28-3680	47.95
-	-	Inner Tube	G700131	12.75
2	-	Battery	G99085	38.50
3	-	Fuel Filter Element (Diesel)	G550489	4.95
4	-	Engine Oil Filter Kubota	GK9027	6.95
4	-	Engine Oil Filter Briggs & Stratton	G614-072	4.95
5	H290733	Hydraulic Oil Filter Element	GH290733	8.95
6	A819022	Air Filter Kubota	G9031	9.95
7	A430750	Hydraulic Pump Drive Belt	GA430750	8.45
8	A901212 MBG0542	V Cut Blade (1mm)	G301430	2.16



The MOTORGUARD range of filters are designed specifically for the golf and turf industry and built to provide top performance under the toughest of conditions.

Their high strength spin on filters feature innovative design advantages built to handle the extra pressure of today's sophisticated hydraulic systems.

Check out the advantages for your maintenance programme

TODAY.

