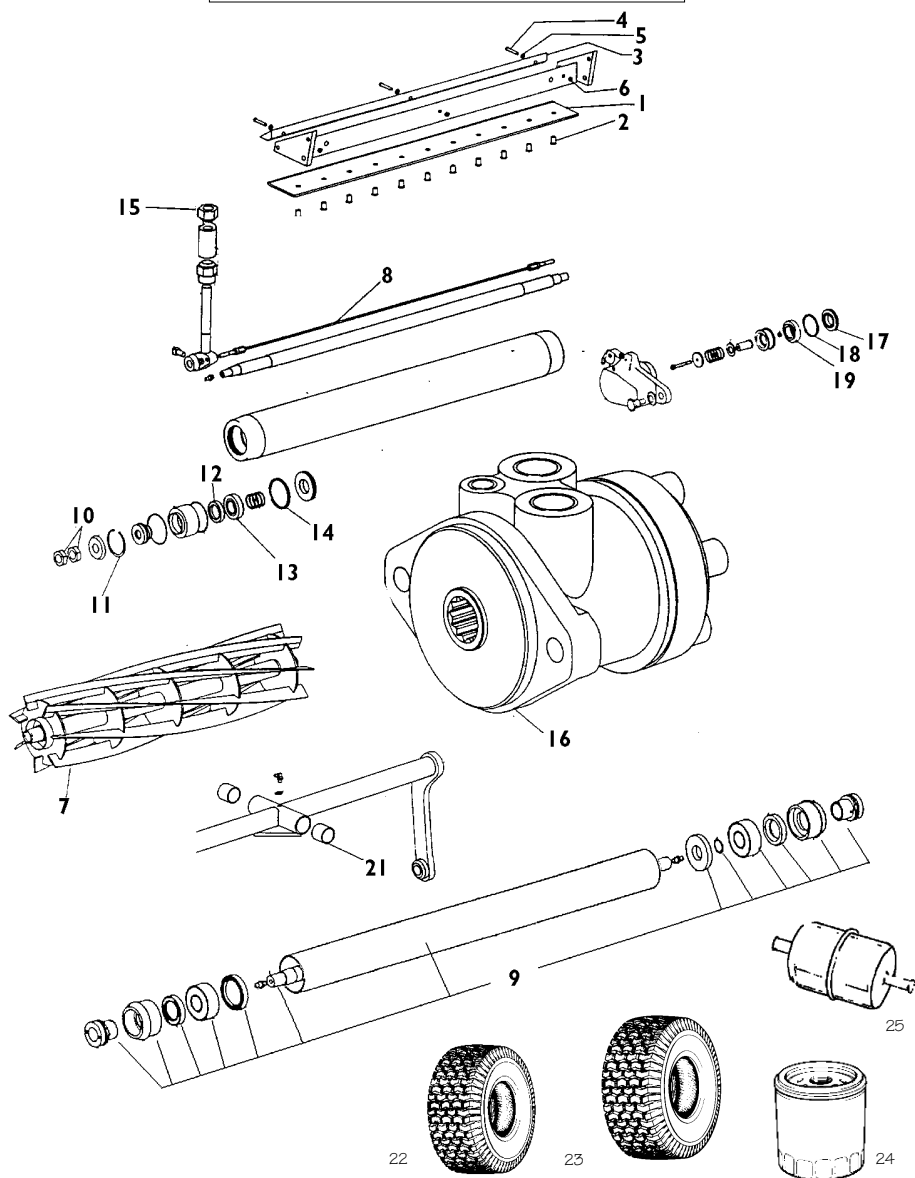


FAIRWAY 300



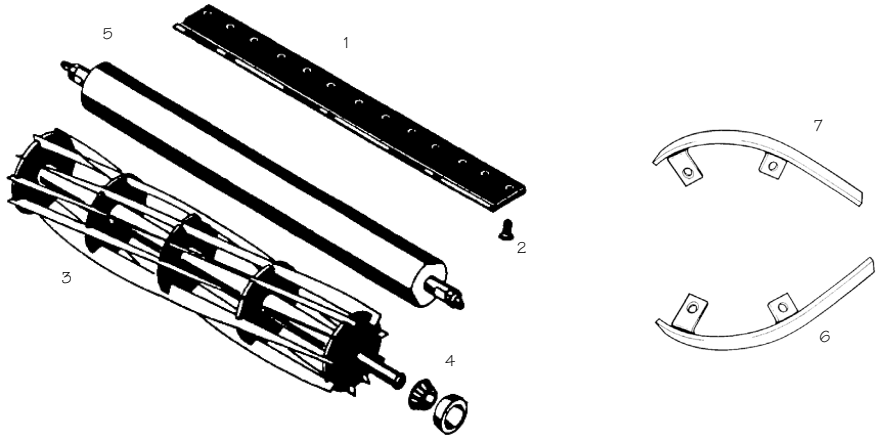
E-Mail: sales@garfitts.com
sales@tines.co.uk

Tel: (0114) 251 3344
 Fax: (0114) 251 3000

FAIRWAY 300

Key No	OEM Part No	Description	Our Part No	Price £
1	MBA7096A	Bottom blade (Thin)	G07010	21.80
1	MBA7103	Heavy Duty Bottom Blade (Thick)	G07010HD	21.80
1		Bottom Blade Tungsten Tip	G07010TP	69.95
2	A119001	Screws	G60012	0.21
3	A904521 A913440	Wood fillet	GA904521	10.55
4	A112107	Screw	GA112107	0.13
5	A150005	Washer	GA150005	0.03
6	A130005	Nut	GA130005	0.12
7	MBE2377	7 blade cylinder (Internal Spline)	G70124	139.30
7	MBE2378	11 blade cylinder (Internal Spline)	G70125	161.30
8	A906704	Wire scraper (Roller)	GA906704	11.55
9	LM5E079	Smooth Roller	G71019	132.95
	LM5E080	Grooved Roller Assy	G170300	173.20
THE FOLLOWING PARTS ARE FOR PLAIN & GROOVED ROLLER ASSEMBLY				
10	A130116 450334	Plain nut	G130116	0.19
11	A170052 451982	Circlip	GA170052	0.54
12	A220254	Lip seal	GA220254	1.41
13	A205929	Taper bearing	GA205929	4.65
14	A230013	Seal ring	GA230013	3.24
15	MBE4001	Carraige Nut	GMBE4001	2.42
16	A800018	Danfoss Cylinder Motor (OMN)	GA800018	238.75
17	MBE2231	Ring carrier	GMBE2231	17.46
18	A230013	Seal ring	GA230013	3.24
19	A209044	Cylinder taper bearing	GA209044	4.75
20	A230019	Shaft seal	GA230019	1.98
21	MBB4500	Mounting frame bush	GMBB4500	2.92
22	A816199	Tyre 20.10.8	G700196	59.75
22	A817328	Tube	G700131	13.95
23	A817048	Tyre 26.12.12	G700136	105.95
23	A817312	Tube	GL2150	17.95
MACHINE FILTERS (KUBOTA V1505)				
24	H290733	Hydraulic filter	GH290733	8.95
-	A800576	Transmission filter	GA800576	43.95
-	KUBOTA	Air filter	GK9042	20.45
-	-	Fuel filter	G9070	4.85
25	-	Fuel filter inline	G18-1520	3.95
-	-	Oil filter	GK9045	6.45

MULTIMOWER



Key No	OEM Part No	Description	Our Part No	Price £
1	MBA7024A	Bed Knife	G07005	14.70
2	A119000	Bottom Blade Screw	G60018	0.26
3	-	Cutting Cylinder 3 Bladed Imperial	G70006	99.95
3	-	Cutting Cylinder 4 Bladed Imperial	G70007	120.00
3	-	Cutting Cylinder 3 Bladed Metric	G70008	99.98
3	MBC8869A	Cutting Cylinder 4 Bladed Metric	G70009	125.00
4	-	Bearing, Cutting Cylinder Bladed Imperial	GB113	9.80
4	H001204	Bearing, Cutting Cylinder Bladed Metric	GH001204	9.30
5	-	Heavy Duty Repairable Regreasable Rear Roller Assembly	G710009	110.00
6	MBB9983	Skid Right Hand	GMBB9983	10.95
7	MBB9999	Skid Left Hand	GMBB9999	10.95

171 TRIPLEX MOWER

Key No	OEM Part No	Description	Our Part No	Price £
1	MBA7068	Bottom Blade (grooved)	G20001	15.95
1	MBA7077	Bottom Blade (shaver)	G06006	17.95
1	MBA7069	Bottom Blade (lipped)	G18005	16.95
2	G5F2100EF	Screw, Bottom Blade	G101272	0.20
3	MBC1851	Cutting Cylinder, 9 Blade	G70274	128.95
Cylinder Centre Shaft is identical at each end		Bearing (cone & cup)	-	16.00