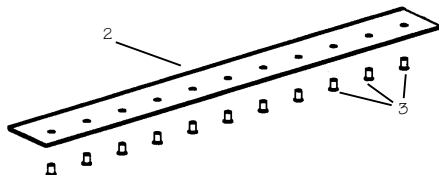
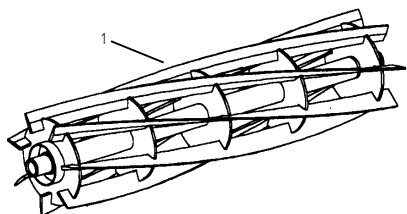
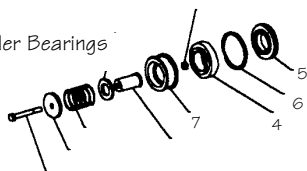


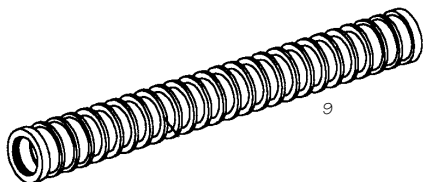
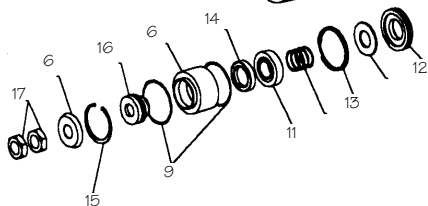
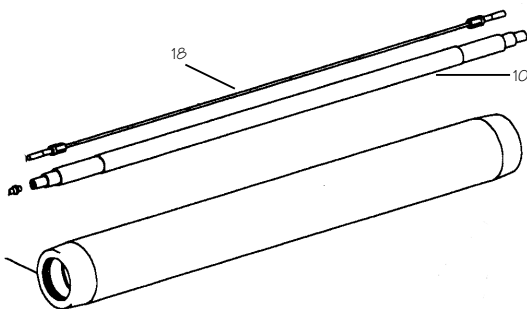
FAIRWAY 250



Cylinder Bearings



Complete Roller 8



**FAIRWAY 250**

Item No	O.E.M. Part No.	Description	Part No.	Price £
1	2206002	11 Blade cylinder (Tang Drive)	G70075	175.95
1	2206047	7 Blade cylinder (Tang Drive)	G70079	139.95
2	2202002	Bed Knife, Low Cut	G07017	28.65
2	2202167	Bed Knife, High Cut	G07017H	27.95
3	A119001	Blade Screws (11 needed)	G60012	0.21
4	A209044	Cylinder Bearing	GA209044	4.95
5	MBE2231	Ring Carrier	GMBE2231	17.46
6	A230013	Seal Ring	GA230013	3.24
7	A230019	Shaft Seal	GA230019	1.98
8		3" Solid Roller Assembly	G170505	129.95
9		3" Grooved Roller Assembly	G170500	162.95
Internal Roller Parts				
10	MBG2045	Roller Shaft	G71099	25.95
11	A205929	Bearings	GA205929	4.65
12	MBF0001	Ring Carrier	GMBF0001	7.98
13	A230013	Seal Ring	GA230013	3.24
14	A220254	Lip Seal	GA220254	1.41
15	451982	Circlip	GA170052	0.54
16	MBE2430	Seal Journal	GMBE2430	18.05
17	450334	Thin Nut	G13016	0.50
18	A906742	Scraper	GA906742	12.92

**FILTER LIST**

**FAIRWAY 250 (KUBOTA V1105)**

OEM Part No	Description	Our Part No	Price £
W2198147-01	Air Filter	GW2198147-01	12.55
W178025	Hydraulic Oil Filter	GW178025	19.25
W178078	Fuel Filter	GW178078	19.95
16271-32092	Oil Filter	GK9045	6.45
12581-43012	Fuel (in line)	G18-1520	3.95

**TEL: (0114) 251 3344**  
**FAX: (0114) 251 3300**