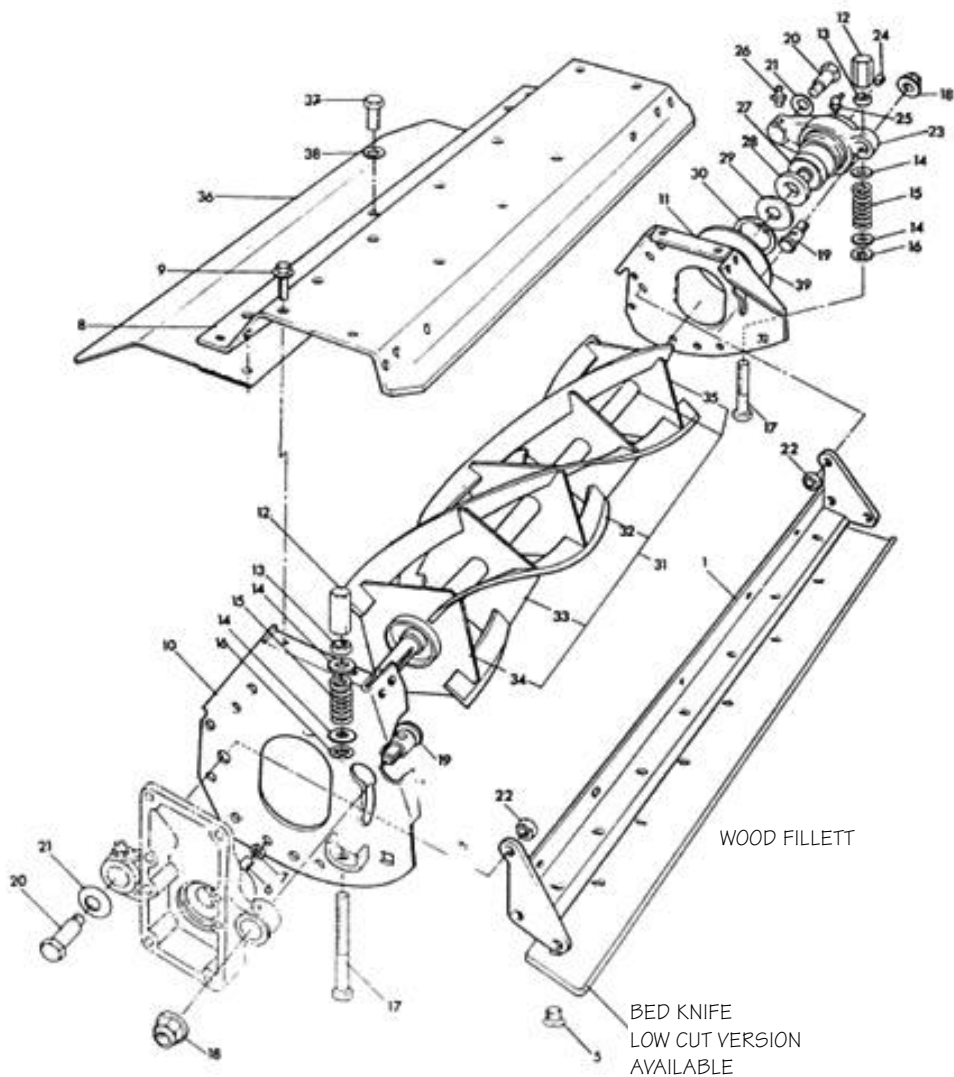


HYDRAULIC 5/7

REPLACEMENT PARTS FOR CUTTING FRAME AND CYLINDER



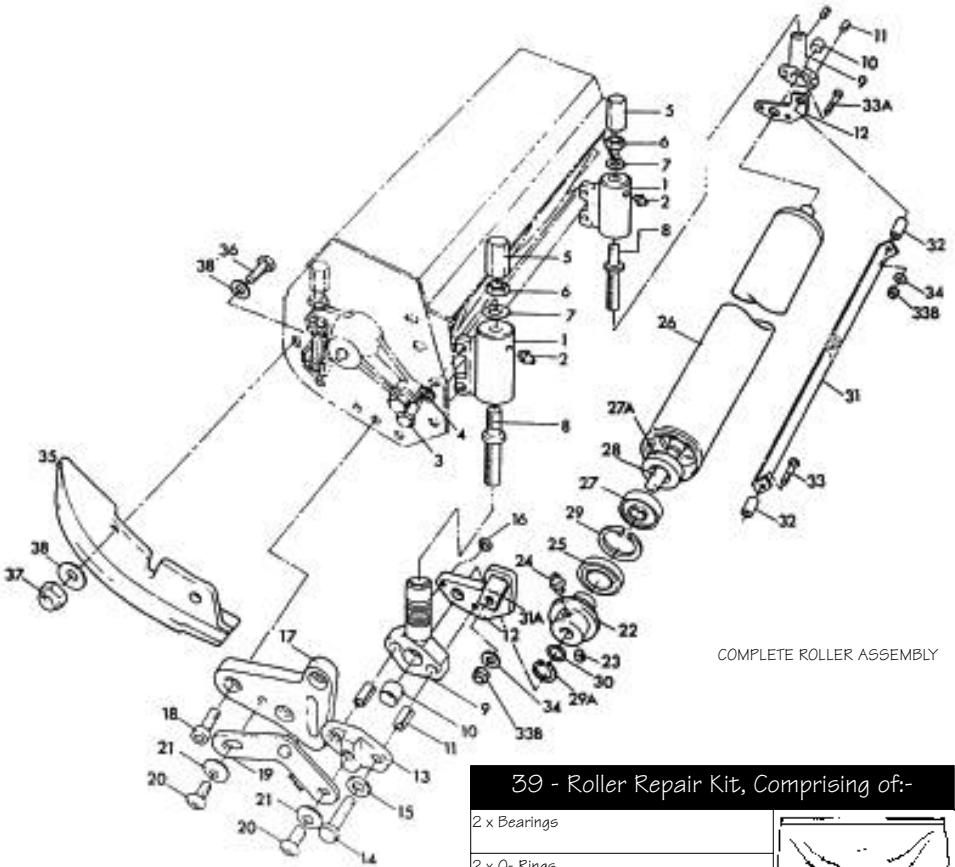
Continues Next Page >>>>>

HYDRAULIC 5/7
REPLACEMENT PARTS FOR CUTTING FRAME AND CYLINDER

Key No	OEM Part No	Description	Our Part No	Price £
1	MBA7024A	Bottom Blade	G07005	14.70
1	MBA7037	Bottom Blade Low Cut	G07005A	16.95
2	A119000	Screw, plated	G60018	0.26
3	MBB2469	Wood Fillet	GA904332	11.95
4	MBB2465D	Bed Bar, Bottom Block Assembly	GMBB2465	1119.95
5	MBC8859B	Cutting Cylinder 6 Bladed 8" Ø	G70017	115.95
5	-	Cutting Cylinder 5 Bladed 8" Ø	G70016	105.00
5	MBC8860B	Cutting Cylinder 4 Bladed 8" Ø	G70015	99.95
5	MBC9791	Cutting Cylinder 3 Bladed 8" Ø	G70017A	145.50
5	-	Cutting Cylinder 10 Bladed 8" Ø	G70017B	155.50
	MBC9792	Cutting Cylinder 11 Bladed 8" Ø	G70017C	162.50
6	A119206	Screw	GA119206	0.04
7	MBC9785	Top Deck	GMBB9785	69.50
8	A116404	Screw	GA116404	0.25
12	MBB2563	Adjuster	GMBC2563	6.95
13	A130010	Nut M10	GA130010	0.15
14	A150010	Washer 10mm	GA150010	0.08
15	A291006	Spring	GA291006	1.98
16	G5F1057BH	Circlip	GF1057BH	0.25
17	MBB2559	Adjusting Bolt M10	GMBB2559	3.95
18	A133312	Stiffnut M12	GA133312	0.49
19	MBC5941	Clamp Pivot	GMBC5941	13.50
20	MBB2562A	Pivot Bolt	GMBB2562A	9.45
21	H083025	Washer / Disc Spring	GH083025	0.51
22	G5F2052AE	Locknut	GF2052AE	0.27
24	G5F2510C	Plug	GF2510C	0.45
25	A299306	Lubricator	GA299306	0.45
26	A299301	Lubricator	GA299301	0.26
27	A203605	Ball Bearing	GA203605	4.95
28	A229401	Felt Seal	GA229401	0.65
29	MBB2571	Felt Seal Housing	GMBB2571	5.95
30	A170052	Circlip Int. Type	GA170052	0.54
36	MBB3567	Deflector (Front Units Only)	GMBB3567	35.37
37	G5F2002CD	Screw	GF2002CD	0.15
38	A51008	S.L. Washer 8mm	GA151008	0.02
39	A912006	Guard	GA912006	0.98
40	G5F2002ED	Screw	GF2002ED	0.27
41	G5F2164J	S.L. Washer	GF2164J	0.16

E-Mail sales@garfitts.com

HYDRAULIC 5/7 PARTS FOR FIXED HEAD SINGLE ROLLER UNITS SPORTSCUTTER 8" ò



COMPLETE ROLLER ASSEMBLY

39 - Roller Repair Kit, Comprising of:-

- 2 x Bearings
- 2 x O- Rings
- 2 x Oil seals
- 2 x Snap Ring
- 2 x Grease Nipple
- 2 x Set Screw



To Rebuild 1 GLMAA356 Roller Assy

Continues Next Page >>>>>

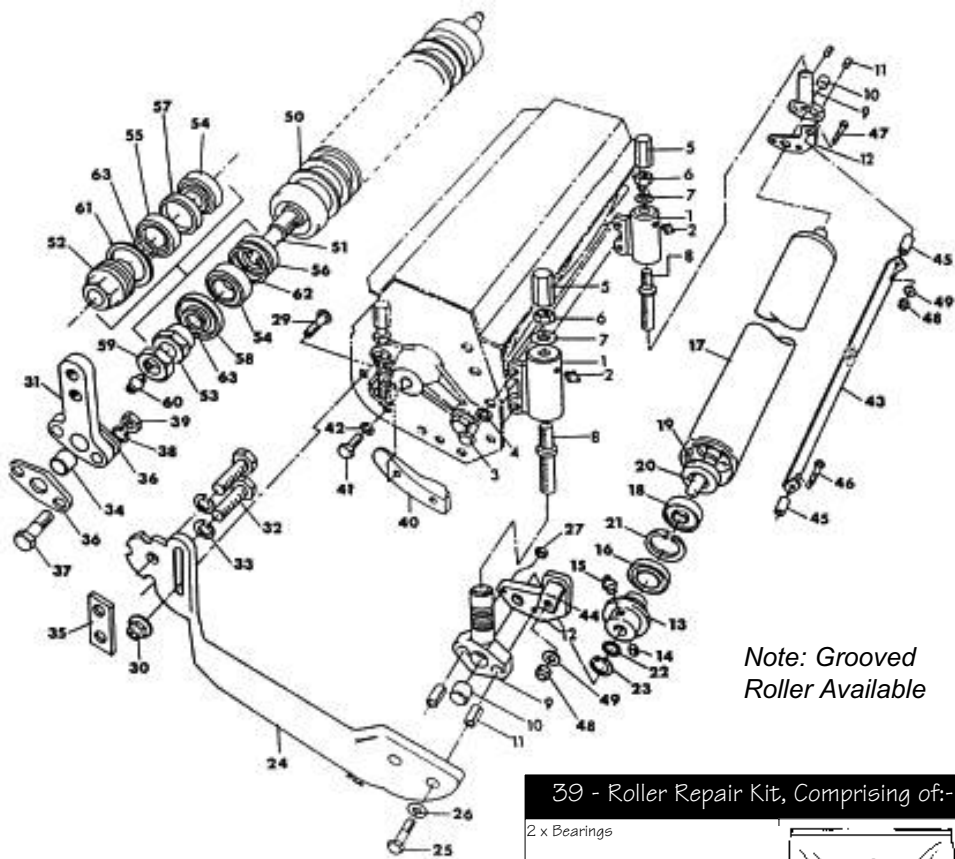
Parts are not original. OEM part numbers are for reference purposes only.

HYDRAULIC 5/7

PARTS FOR FIXED HEAD SINGLE ROLLER UNITS SPORTSCUTTER 8" Ø

Key No	OEM Part No	Description	Our Part No	Price £
1	LMSD668	Sleeve Assembly	GLMSD668	32.42
2	G5F2540AC	Lubricator	GF2540AC	0.51
3	G5F2002ED	Screw	GF2002ED	0.27
4	A151008	S.L. Washer 8mm	GA151008	0.02
5	MBB2580	Adjuster	GMBB2580	7.35
6	A130010	Nut M10	GA130010	0.15
7	HO83026 A292121	Disc Spring	GH083026	0.42
8	MBB2579	Adjusting Screw	GMBB2579	7.80
9	MBC8147	Skid Mounting	GMBB8147	47.41
10	MBB2587	Bush	GMBB2587	2.45
11	A141544	Dowel	GA141544	0.42
12	MBB2365K	Plate	GMBB2365K	3.55
13	MBB9663	Plate	GMBB9663	19.45
14	A100210	Bolt M6	GA100210	0.25
15	G5F2154CE	Washer	GF2154CE	0.14
16	A130006	Nut M6	GA130006	0.14
-	A151006	S.L. Washer 6mm	GA151006	0.05
17	MBB9657A	Plate LH	GMBB9657A	25.20
-	MBB9658	Plate RH	GMBB9658	25.20
18	G5F2015CF	Screw	GF2015CF	0.40
19	MBB9664	Lever LH	GMBB9664	14.15
-	MBB9667	Lever RH	GMBB9667	14.15
20	A129006	Screw M10	GA129006	0.64
21	A292080	Disc Spring	GA292080	0.75
22	MBB6782	Boss	GMBB6782	14.05
23	A122293	Grub Screw	GA122293	0.24
24	A299301	Lubricator	GA299301	0.26
25	A220250	Oil Seal	GA220250	1.29
26	LMAA356	Rear Roller Assembly Complete	GLMAA356	106.35
-	-	Budget roller assembly (not illustrated)	G71091	69.95
27	A203203	Bearing, for GLMAA356	GA203203	3.30
-	A220200	Oil Seal (Internal), for GLMAA356 (not shown)	GA220200	0.76
28	MBB6766	Spindle, for GLMAA356	GMBB6766A	25.92
29	A170040	Circlip, for GLMAA356	GA170040	0.43
30	A221114	O Ring, for GLMAA356	GA221114	0.20
31	MBC1823	Scraper	GMBB1823	10.35
32	A130008	Nut M8	GA130008	0.14
33	A150008	Washer 8mm	GA150008	0.08
34	A151008	S.L. Washer 8mm	GA151008	0.02
35	MBC8985	Skid	GMBB8985	11.32
36	A110306	Screw M8	GA110306	0.12
-	A110305	Screw M8	GA110305	0.22
37	A133208	Stiffnut M8	GA133208	0.17
38	AE22003	Clamping Collar	GAE22003T	0.18
39	-	Roller Repair Kit for GLMAA356	GLMA356RK	12.65

HYDRAULIC 5/7 PARTS FOR FLOATING HEAD TWIN ROLLER UNITS SPORTSCUTTER 8" ò



Note: Grooved Roller Available

39 - Roller Repair Kit, Comprising of:-

- 2 x Bearings
- 2 x O-Rings
- 2 x Oil seals
- 2 x Snap Ring
- 2 x Grease Nipple
- 2 x Set Screw



To Rebuild 1 GLMAA356 Roller Assy

Key No	OEM Part No	Description	Our Part No	Price £
1	LM5D668	Sleeve Assembly (MBB2578)	GLM5D668	32.42
2	GSF2540AC	Lubricator	GF2540AC	0.42
3	GSF2002EC	Screw	GF2002EC	0.14
4	GSF2164J	S.L. Washer 8mm	GF2164J	0.15
5	MBB2580	Adjuster	GMBB2580	6.45

Continues Next Page >>>>>

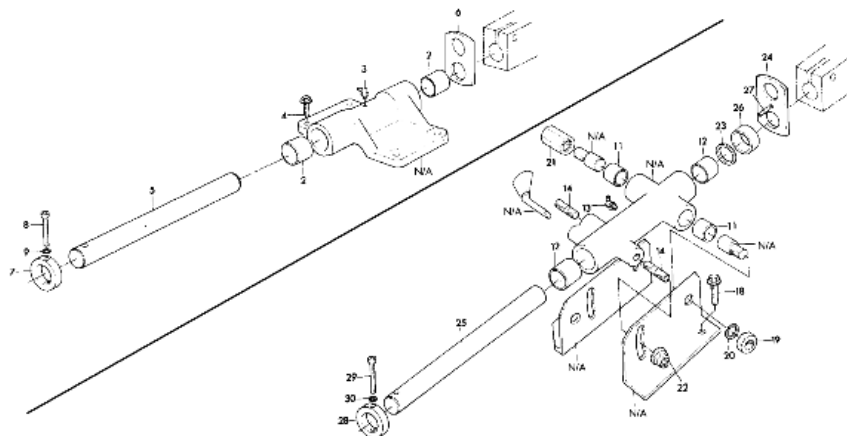
Parts are not original. OEM part numbers are for reference purposes only.

HYDRAULIC 5/7

PARTS FOR FLOATING HEAD TWIN ROLLER UNITS SPORTSCUTTER 8" ø

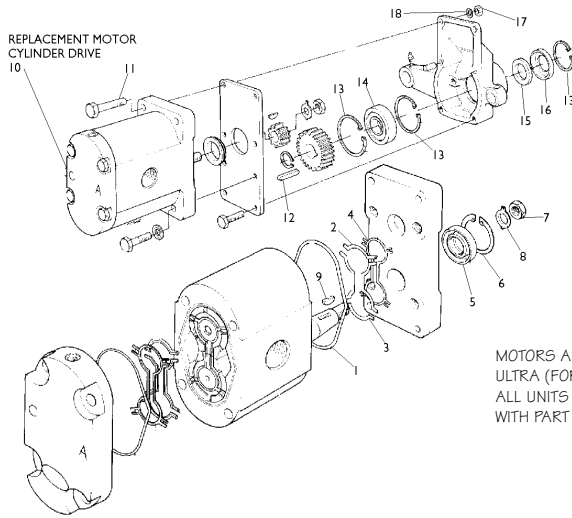
Key No	OEM Part No	Description	Our Part No	Price £
6	A130010	Nut M10	GA130010	0.15
7	H083026	Disc Spring	GH083026	0.42
8	MBB2579	Adjusting Screw	GMBB2579	7.80
9	MB5C8147	Skid Mounting	GM5C8147	47.41
10	MBB2587	Rubber Bush	GMBB2587	2.45
11	A141547	Dowel	GA141547	0.45
12	MBB2365K	Plate	GMBB2365K	3.55
13	MBB6762	Boss, for GLMAA356	GMBB6762	14.05
14	A122293	Grub Screw, for GLMAA356	GA122293	0.24
15	A299301	Lubricator, for GLMAA356	GA299301	0.26
16	A220250	Oil Seal, for GLMAA356	GA220250	1.29
17	LMAA356	Complete Roller Assembly	GLMAA356	106.35
-	-	Budget roller assembly (not illustrated)	G71091	69.95
18	A203203	Bearing, for GLMAA356	GA203203	3.30
-	A220200	Oil Seal, for GLMAA356	GA220200	0.76
19	MBB6766	Spindle, for GLMAA356	GMBB6766	23.85
20	A170040	Circlip, for GLMAA356	GA170040	0.43
21	A221114	O Ring, for GLMAA356	GA221114	0.20
22	MBB6401	Skid LH (Now Obsolete)	GMBB6401	NLA
-	MBB6400	Skid RH (Now Obsolete)	GMBB6400	NLA
23	A100209	Bolt M6	GA100209	0.20
24	G5F2154CE	Washer	GF2154CE	0.14
25	A130006	Nut M6	GA130006	0.14
26	A151006	S.L. Washer 6mm	GA151006	0.05
27	A102508	Bolt M12	GA102508	0.49
28	A133312	Stiffnut M12	GA133312	0.49
29	MBB6747	Bracket LH	GMBB6747	60.02
-	MBB6746	Bracket RH	GMBB6746	60.02
30	A110506	Screw M12	GA110506	0.46
31	A151012	S.L. Washer 12mm	GA151012	0.05
32	MBB2587	Bush	GMBB2587	2.45
33	MBB2366	Cover Plate	GMBB2366	5.75
34	MBB2365	Plate	GMBB2365	3.55
35	A100207	Bolt M6	GA100207	0.24
36	A151006	S.L. Washer 6mm	GA151006	0.05
37	A130006	Nut M6	GA130006	0.14
39	G5F2002ED	Screw	GF2002ED	0.27
40	A151008	S.L. Washer 8mm	GA151008	0.02
41	MBB6749	Scraper	GMBB6749	10.85
42	A110204	Screw M6	GA110204	0.12
-	A130006	Nut M6	GA130006	0.14
43	G5F2152A	Washer	GF2152A	0.15
44	MB5C823	Scraper	GM5C823	10.35
45	A130008	Nut M8	GA130008	0.14
46	A151008	S.L. Washer 8mm	GA151008	0.02
47	-	Roller Repair Kit for GLMAA356	GLMA356RK	12.65

HYDRAULIC 5/7



Key No	OEM Part No	Description	Our Part No	Price £
FIXED HEAD				
2	A210175	Bush	GA210175	5.75
3	A299316	Lubricator	GA299316	0.44
4	A115405	Screw M10	GA115405	0.35
5	MBB7712A	Pivot Shaft (Front Units)	GMBB7712A	9.95
-	MBC0092B	Pivot Shaft	GMB0092B	9.95
6	MBB8326A	Plate	GMBB8326A	8.05
7	MBC0639Z	Collar	GMB0639Z	6.05
8	A120310	Screw M8	GA120310	0.20
9	A151008	S.L. Washer 8mm	GA151008	0.02
FLOATING HEAD				
11	GSF3002TG	Bush	GF3002TG	3.35
12	A219303	Bush	GA219300	3.05
13	A299316	Lubricator	GA299316	0.44
14	A452307	Stud	GA107507	0.49
18	A116405	Screw M10	GA116405	0.62
19	A130016	Nut M16	GA130016	0.58
20	A151116	S.L. Washer 16mm	GA151116	0.10
21	MBB8442	Nut (Selector Operation)	GMB8442	3.00
22	A133312	Stiffnut M12	GA133312	0.49
23	A189413	Washer	GA189413	2.50
24	MBB8444	Plate	GMB8444	0.65
25	MBC0092B	Shaft	GMB0092B	9.95
26	MBB8441	Collar	GMB8441	1.60
27	A141446	Tension Pin	GA141446	0.30
29	A120310	Screw M8	GA120310	0.20
30	A151008	S.L. Washer 8mm	GA151008	0.02

**HYDRAULIC 5/7
MOTORS AND SYSTEM PARTS**



MOTORS ARE MANUFACTURED BY
ULTRA (FORMERLY DOWTY)
ALL UNITS SHOULD BE STAMPED
WITH PART No.S IMR015A
ORIMR015C

Key No	OEM Part No	Description	Our Part No	Price £
1-9	A809615	Seal Kit Items 1-9 Inclusive OEM Only	GA809615	116.85
5	A229945	Seal Drive Shaft (Triple)	GA229945	6.15
6	A222999	29mm Internal Circlip Seal Retainer	GA222999	0.50
7	G5F2015AD	Nut	GF2051AD	0.20
8	H200038	Tab Washer	GH200038	0.70
9	G6F2230AE	Key	GF2230AE	0.35
-	G809203	L/H Drive Unit Motor (Anti Clockwise)	GA809203	227.00*
10	G809204	R/H Drive Unit Motor (Clockwise)	GA809204	227.00*
11	G5F2001AH	Bolt	GF2001AH	0.20
12	G5F2202ER	Key	GF220ER	0.36
13	A170052	Circlip int. type	GA170052	0.54
14	A203605	Ball bearing for cutting cylinder shaft	GA203605	4.95
15	A229401	Felt washer	GA229401	0.65
16	MBB2571	Seal washer	GMBB2571	5.95
17	G5F2051AA	Nut	GF2051AA	0.18
18	G5F2164G	S.L. Washer	GF2164G	0.06
HYDRAULIC HOSES				
-	A725107	Rear Cylinder Motor IN/OUT Hose	G07057	14.75
-	MBA6075A	Front Cylinder Drive Unit Input Hoses	G07058	23.95
-	MBB3024	Front Cylinder Drive Unit Output Hoses	G07059	19.50
-	A71210	Front Cylinder Motor DRAIN Hoses	G07060	7.45
-	A796200	Rear Cylinder Motor DRAIN Hose	G07061	8.50
SEALS				
-	A221810	O Ring Seal	GA221810	0.53
-	A221804	O Ring Seal	GA221804	0.24

Parts are not original. OEM part numbers are for reference purposes only.

Nett Price