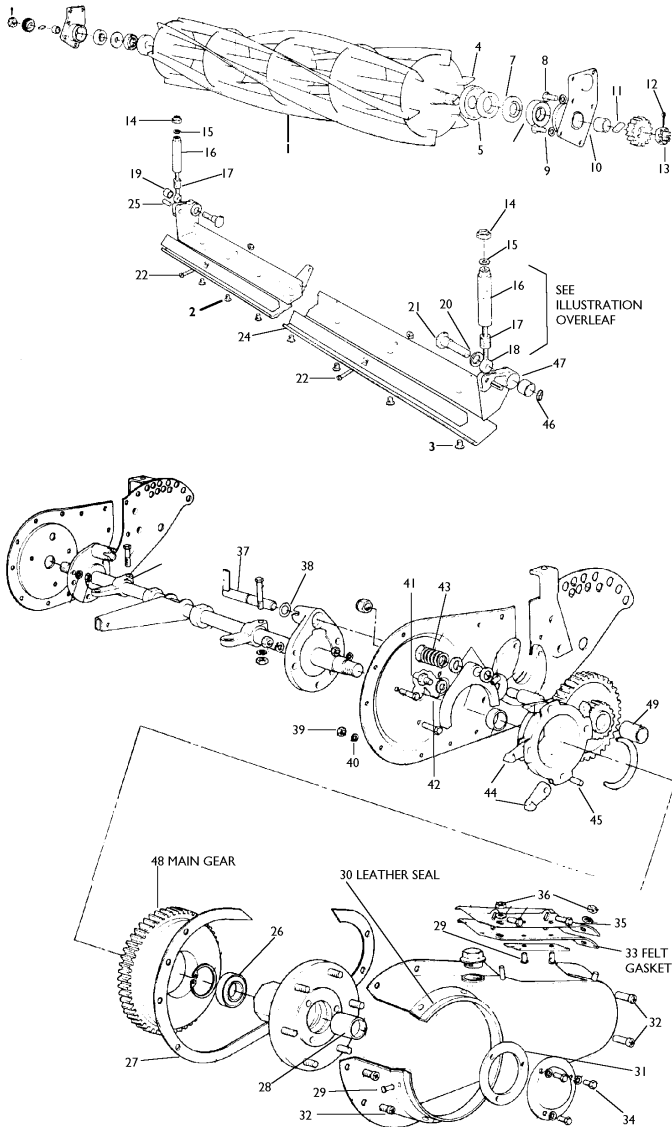


TRAILED GANG MOWERS MAGNA & SPORTSCUTTER Mk 10, 11, 12, 13



TEL: (0114) 251 3344
FAX: (0114) 251 3000

TRAILED GANG MOWERS MAGNA & SPORTSCUTTER Mk 10, 11, 12, 13

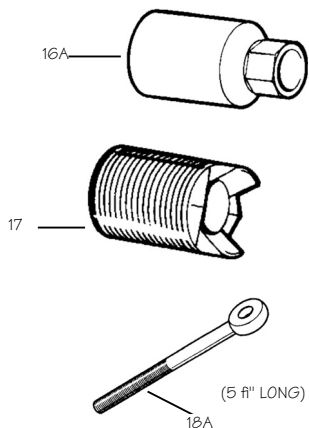
Key No	OEM Part No	Description	Our Part No	Price £
1	-	Cutting Cylinder 4 Blade MK10, MK11 8"Ø	G70078	105.95
1	-	Cutting Cylinder 5 Blade MK10, MK11 8"Ø	G70004	111.95
1	MBC8868	Cutting Cylinder 6 Blade MK10, MK11 8"Ø Sportscutter	G70003	112.95
1	MBE3453	Cutting Cylinder 8 Blade MK10, MK11 8"Ø	G70067	136.95
-	MBC9973	Cutting Cylinder 5 Blade MK12, MK13 10"Ø Magna	G70002	112.95
-	-	Cutting Cylinder 6 Blade MK12, MK13 10"Ø	G70081	130.95
2	MBA7024A	Bottom Blade	G07005	14.70
3	A119000	Bottom Blade Screw	G60018	0.26
3	-	Bottom Blade Screw Over Size	G60024	0.59
4	LTC0655	Dust Cover	GLTC0655	4.18
5	H013316	Oil Seal (Dowty type MK 10/12)	GH013316	4.75
5	H011097	Oil Seal New Type for GA203604 Bearing (MK 11/13)	GH011097	2.05
6	MBB2239	Distance Washer	GMBB2239	4.80
7	A203604	Bearing, Cutting Cylinder (MK 11/13)	GA203604	5.15
7	H001252	Bearing, Cutting Cylinder (2204) (MK 10/12)	GH001252	9.50
8	F2002CD	Set Screw	GF2002CD	0.21
9	A151008	Spring Washer	GA151008	0.02
10	LTC4881	Distance Piece	GLTC4881	2.95
11	LTC0009	Key	GLTC0009	3.50
12	F1030GK	Split Pin	GF1030GK	0.15
13	LTC4663	Nut, Castle Type	GLTC4663	6.25
14	A139910	Lock Nut	GA139910	0.45
15	F2150E	Washer	GF2150E	0.05
16	MBB2206	Adjuster Sleeve MK11/13	GMBB2206	14.50
16A	LTC4617	Adjuster Sleeve MK10/12	GLTC4617	8.69
17	LTC4618	Adjuster Tube All Models	GLTC4618	8.95
18	MBB2212	Eye Bolt Adjuster Screw Long (MK 11/13)	GMBB2212	10.35
18A	LTC4568	Eye Bolt Adjuster Screw Short (MK 10/12)	GLTC4568	9.10
19	LTC0629	Bush	GLTC0629	4.80
20	H083025	Spring Washer (disc)	GH083025	0.59
21	MBB2202	Pivot Bolt	GMBB2202	8.80
22	MBA5402	Screw	GMB5402	0.20
23	F2051AA	Lock Nut	GF2051AA	0.18
24	LTC0635A	Wood Fillet (as original)	GLTC0635A	14.50
25	LTC0451	Roll Pin	GLTC0451	0.78
26	A203605	Bearing	GA203605	4.95
27	LTC4860	Cork Gasket	GLTC4860	3.69
28	LTC4806	Distance Piece	GLTC4806	4.10
29	F3354CD A189501	Copper Rivet	GF3354CD	0.27

E MAIL
sales@garfitts.com

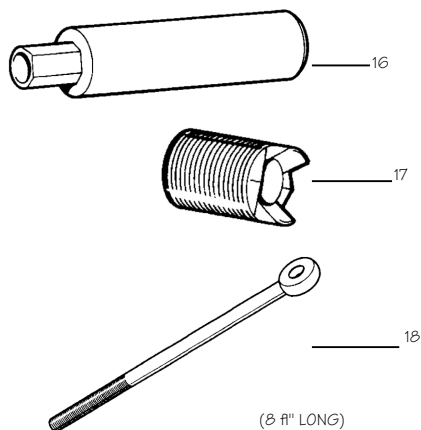
TRAILED GANG MOWERS MAGNA & SPORTSCUTTER Mk 10, 11, 12, 13

Key No	OEM Part No	Description	Our Part No	Price £
30	LTC1313	Oil Seal, Leather	GLTC1313	15.25
31	LTC0616	Gasket, Cork	GLTC0616	0.95
32	F2013CJ	Phillips Head Screw	GF2013CJ	0.25
33	LTC4894	Felt Gasket	GLTC4894	3.19
34	F2002AB	Screw	GF2002AB	0.14
35	F2013CJ	Phillips Head Screw	GF2013CJ	0.18
36	A130006	Nut	GA130006	0.14
37	MBB2208A	Clutch Rod	GMBB2208A	12.75
38	A221012	O Ring	GA221012	0.25
39	F2051AA	Nut	GF2051AA	0.18
40	F2164G	Spring Washer	GF2164G	0.06
41	MBA4479	Level Plug	GMB44479	1.25
42	F3551EJ	Fibre Washer	GF3551EJ	0.18
43	H980409	Clutch Spring	GH980409	0.95
44	LTC0417	Pawl	GLTC0417	16.95
45	LTC0418	Rivet	GLTC0418	1.29
46	F2051AG	Lock Nut	GF2051AG	0.45
47	F2163N	Spring Washer	GF2163N	0.10
48	LTC4546A	Main Gear	GLTC4546A	115.45
49	GF3002FN	Intermediate Gear Bush	GF3002F	4.39

MK 10/12 ADJUSTERS SHORT

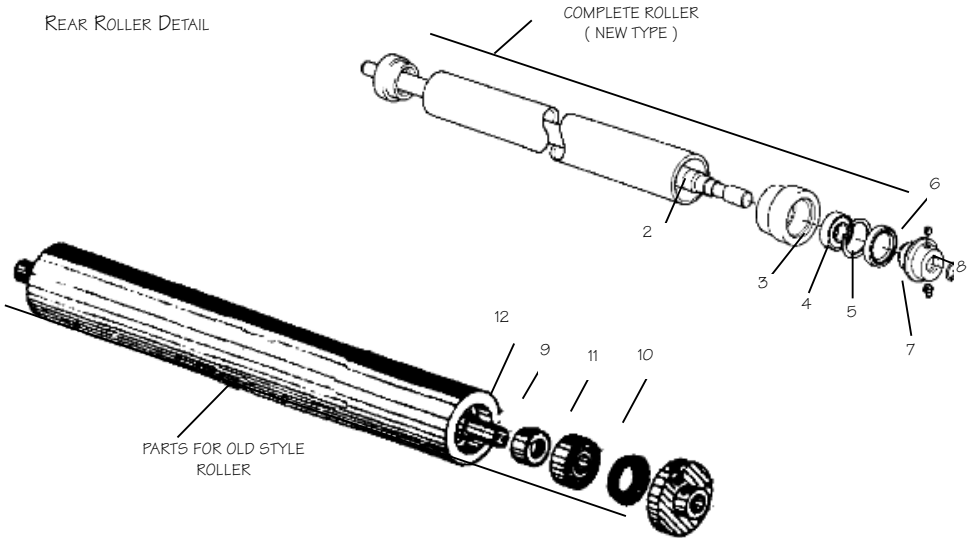


MK 11/13 ADJUSTERS LONG



TEL: (0114) 251 3344
FAX: (0114) 251 3000

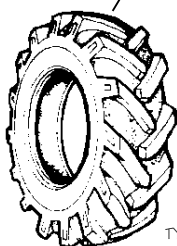
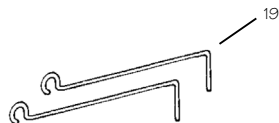
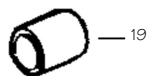
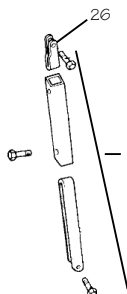
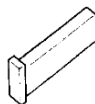
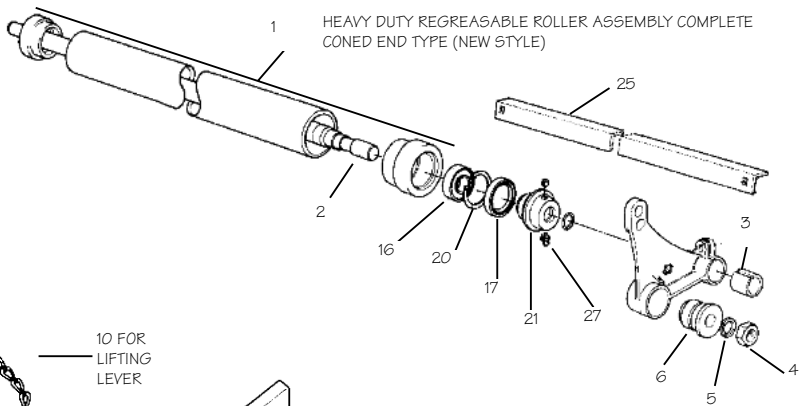
TRAILED GANG MOWERS
MAGNA & SPORTSCUTTER Mk 10, 11, 12, 13



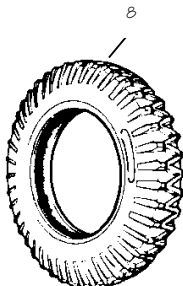
Key No	OEM Part No	Description	Our Part No	Price £
1	LMSD614B	Rear Roller Assembly, Superior Quality Completely Repairable as Illustrated, Weighs 20kgs.	GLMSD614B	182.00
1	-	Budget Roller (not illustrated)	G71012	69.95
2	MBB9262	Shaft for Rear Roller (above LMSD614B)	GMBB9262	25.95
3	A203604	Bearing, Roller	GA203604	5.15
4	A170047	Circlip	GA170047	0.55
5	H012003	Oil Seal	GH012003	1.74
6	MBB9264	Roller End Boss	GMBB9264	19.95
7	GSF2540AC	Grease nipple	GF2540AC	0.51
8	A221210	O Ring	GA221210	0.42
PARTS FOR OLD STYLE ROLLER				
9	H011090	Roller oil seal - light roll	GH011090	4.73
10	H013316	Roller oil seal - light roll	GH013316	4.75
10	H015012	Roller oil seal	GH015012	2.35
11	H001543	Bearing - light roll	GH001543	9.45
11	H001771	Bearing	GH001771	7.20
-	LS02521H	End cap screws (3)	GLS02521H	0.37
12	MBA1971	Spindle (Heavy roll)	GMA1971	24.75

E MAIL
sales@garfitts.com

**TRAILED GANG MOWERS
MAGNA & SPORTSCUTTER Mk 10, 11, 12, 13**

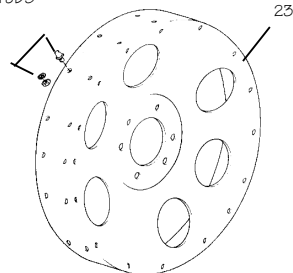


TYRES & INNER TUBES



WHEEL STUDS

9



TRAILED GANG MOWERS

MAGNA & SPORTSCUTTER Mk 10, 11, 12, 13

Key No	OEM Part No	Description	Our Part No	Price £
1	LM5D614B	Rear Roller Assembly, Superior Quality Completely Repairable as illustrated, Weighs 20kgs.	GLMSD614B	182.00
1	-	Budget Roller (not illustrated)	G71012	69.95
2	MBB9262	Shaft for Rear Roller (above LM5D614B)	GMBB9262	25.95
3	LTC4742	Split Bush	GLTC4742	4.19
4	GSF2051AG	Lock Nut	GF2051AG	0.47
5	GSF2164N	Spring Washer	GF2164N	0.12
6	LTC4787	Pivot Bush	GLTC4787	8.09
7	A817028	Tyre 4.00 x 12	GAB17028	46.75
7	-	Inner Tube 4.00 x 12	GAB17028T	11.95
9	LTC4835	Wheel Stud, Nut & Spring Washer	G60030	0.79
8	A817027	Tyre 4.00 x 10 (18 x 4)	GAB17027	50.90
8	-	Inner Tube 4.00 x 10	GAB17027T	11.95
10	LMAY333	Locking Pin Complete Rear 4" Long (LTC3535)	GLMAY333	8.27
11	LTC0136	Tension Spring (lifting lever)	GLTC0136	4.09
12	LMAY334	Locking Pin Complete Front 6 1/4" (LTC 3571)	GLMAY334	8.27
13	LMAY335	Locking Pin Complete (LTC3634)	GLMAY335	8.75
14	H990009	Handle Grip (lifting lever)	GH990009	1.05
15	LM5A916	Lifting Link Assembly Complete	GLMSA916	18.69
16	A203604	Bearing, Roller	GA203604	5.15
17	HO12003	Oil Seal	GH012003	1.74
18	A221210	O Ring	GA221210	0.42
19	LTC3756	Coupling Frame Bush (8 Required)	GLTC3756	8.27
20	A170047	Circlip	GA170047	0.55
21	MBB9264	Roller End Boss	GMBB9264	19.70
22	-	Roller Repair Kit, Includes Bearings, Seals Etc to repair 1 x GLM614B Roller As Illustrated	GLMSD614RK	15.45
23	LASY249	Steel Wheel - Magna C/W Studs	GLASY249	157.95
23	LASY247	Steel Wheel - Sportscutter C/W Studs	GLASY247	155.95
24	LTC1199	Tie Rod RH	GLTC1199	11.95
24	LTC1200	Tie Rod LH	GLTC1200	11.95
25	LTC4962	Scraper bar	GLTC4962	14.25
26	LTC3536	Top link	GLTC3536	4.35
27	GSF2540AC	Grease nipple	GF2540AC	0.51
-	LTC4930	Disc roll spindle	GLTC4930	28.95

PLEASE STATE MARK NUMBER WHEN ORDERING GANG MOWER PARTS

E MAIL
sales@garfitts.com