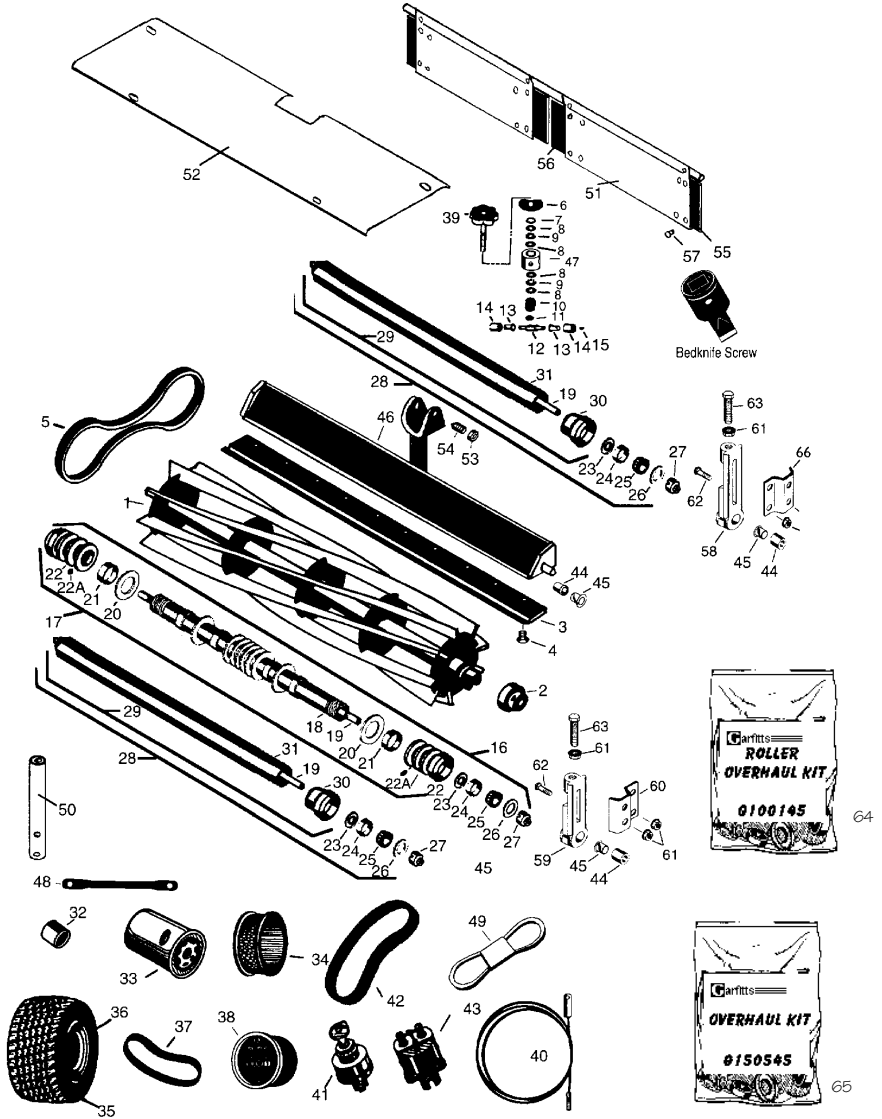


**REELMASTER 216**  
PETROL & DIESEL VERSIONS



TEL: (0114) 251 3344  
FAX: (0114) 251 3000

## REELMASTER 216

### PETROL & DIESEL VERSIONS

| Key No | OEM Part No          | Description                                    | Our Part No | Price £ |
|--------|----------------------|--|-------------|---------|
| 1      | 12-7059<br>(61-0260) | Cylinder Assembly, 5 Blade RH & Rear           | G12-7059    | 126.95  |
| 1      | 12-7079<br>(61-0270) | Cylinder Assembly, 5 Blade LH                  | G12-7079    | 126.95  |
| 1      | 12-7089<br>(61-0261) | Cylinder Assembly, 8 Blade RH & Rear           | G12-7089    | 145.95  |
| 1      | 12-7099<br>(61-0271) | Cylinder Assembly, 8 Blade LH                  | G12-7099    | 145.95  |
| 1      | 13-1699              | Cylinder Assembly, 11 Blade RH & Rear          | G13-1699    | 163.95  |
| 1      | 13-1709              | Cylinder Assembly, 11 Blade LH                 | G13-1709    | 163.95  |
| 2      | 71-1360<br>(254-320) | Bearing, Cylinder                              | G71-1360    | 15.55   |
| 3      | 62-5180              | Bed Knife                                      | G62-5180    | 23.65   |
| 4      | 57-4910              | Screw, Plated, Bed Knife                       | G150476     | 0.21    |
| 5      | 61-3380              | V-Belt, Cylinder                               | G61-3380    | 20.65   |
| 6      | 52-3000              | Spring Arm, Adjuster Handle                    | G52-3000    | 6.05    |
| 7      | 253-84               | Seal, Adjuster Handle                          | G253-84     | 2.25    |
| 8      | 257-5                | Thrust Washer, Adjuster Handle                 | G257-5      | 1.16    |
| 9      | 257-6                | Thrust Bearing, Adjuster Handle                | G257-6      | 1.55    |
| 10     | 57-5270              | Spring, Adjuster Handle                        | G57-5270    | 4.15    |
| 11     | 3296-62              | Jam Lock Nut 1/2-20 LH                         | G3296-62    | 0.76    |
| 12     | 57-5260              | Pivot 1/2-20 LH, Bed Bar                       | G57-5260    | 8.66    |
| 13     | 52-2890              | Nylon Flanged Bushing                          | G52-2890    | 0.78    |
| 14     | 62-5510              | Rubber Bushing, Adjuster Handle                | G62-5510    | 5.38    |
| 15     | 302-18               | Grease Nipple, Press Style                     | G302-18     | 0.80    |
| 16     | 63-5160              | Repairable Grooved Roller Assembly (front)     | G63-5160    | 186.25  |
| 17     | -                    | Tube Assembly, Grooved Roller                  | G150688     | 126.95  |
| 18     | -                    | Tube Only, Grooved Roller                      | G150681     | 28.95   |
| 19     | 61-0400              | Shaft, Roller                                  | G61-0400    | 26.20   |
| 20     | -                    | Washer, 2 3/4"                                 | G150672     | 0.60    |
| 21     | -                    | Spacer   | G150671     | 0.62    |
| 22     | -                    | Endcap, Repairable Grooved Roller              | G150689     | 41.95   |
| 22A    | -                    | Nyloc Set Screw, 3/8" - 16 x 3/8"              | G150691     | 0.55    |
| 23     | 253-152<br>(253-116) | Inner Seal, Roller                             | G253-152    | 2.42    |
| 24     | 254-79               | Bearing Cup                                    | G254-79     | 2.85    |
| 25     | 254-78               | Bearing Cone                                   | G254-78     | 4.15    |
| 26     | 253-146              | Outer Seal, Roller                             | G253-146    | 2.52    |
| 27     | 71-3590<br>(61-0370) | Adjusting Nut, Roller                          | G71-3590    | 6.15    |
| 28     | 61-0410              | Solid Roller Assembly (front and rear)         | G61-0410    | 134.95  |
| 29     | 62-7100              | Tube Assembly, with Endcaps                    | G62-7100    | 75.95   |
| 30     | 61-0380              | Endcap, Solid Roller                           | G61-0380    | 22.45   |
| 31     | -                    | Tube Only, Solid Roller                        | G150705     | 38.95   |
| 32     | 3-0348               | Bushing  | G3-0348     | 2.84    |
| 33     | 54-0110              | Hydraulic Oil Filter                           | G54-0110    | 7.95    |
| 33     | 130336040            | Fuel filter, fits Diesel engine only (Perkins) | G9067       | 4.95    |
| 33     | 140516190            | Oil filter, fits Diesel engine only (Perkins)  | G9069       | 7.05    |

Continues Next Page >>>>>

**REELMASTER 216**  
**PETROL & DIESEL VERSIONS**

| Key No | OEM Part No        | Description                              | Our Part No | Price £ |
|--------|--------------------|--|-------------|---------|
| 34     | 2210-283           | Air Filter, 16 HP Kohler (Petrol)        | G45-083-02  | 4.28    |
| 35     | 231-122            | Tyre, Steering 18-6.50 x 8               | G231-122    | 42.75   |
| 35     | -                  | Tyre, Drive 18-8.50 x 8, 4 Ply Soft Trac | G700160     | 49.75   |
| 36     | 217-60             | Wheel with valve stem                    | G217-60     | 37.25   |
| 37     | 61-3400            | V-Belt, Pump                             | G61-3400    | 22.85   |
| 38     | 12-9990            | Hour Meter, Quartz                       | G12-9990    | 35.95   |
| 39     | 61-1070            | Handle, Adjusting, Bed Bar               | G61-1070    | 28.95   |
| 40     | 61-3260            | Lift Cable, fits petrol models only      | G61-3260    | 16.20   |
| 40     | 83-8590            | Lift Cable, fits diesel models only      | G83-8590    | 18.50   |
| 41     | 23-0660            | Ignition Switch (5 Lead)                 | G23-0660    | 11.50   |
| 42     | 61-3390            | Engine Belt, Poly V                      | G61-3390    | 24.30   |
| 43     | 28-4210            | Solenoid                                 | G28-4210    | 19.75   |
| 44     | 56-9510            | Rubber Bushing, Bed Bar & Roller         | G56-9510    | 3.57    |
| 45     | 56-9520            | Bushing, Nyliner, Bed Bar & Roller       | G56-9520    | 1.02    |
| 46     | 61-1210            | Backing Bar, Bed Knife                   | G61-1210    | 114.95  |
| 47     | 52-2980            | Pivot, single point adjustment           | G52-2980    | 29.95   |
| 48     | 10-7130            | Battery cable, positive                  | G10-7130    | 4.95    |
| 48     | 61-2670            | Battery cable, negative                  | G61-2670    | 4.55    |
| 49     | 92-3187            | Belt, jackshaft, set of 3, diesel engine | G92-3187    | 32.65   |
| 49     | 92-3186            | Belt, hydraulic pump, diesel engine      | G92-3186    | 20.49   |
| 49     | 83-9020            | Belt, radiator, diesel engine            | G83-9020    | 18.69   |
| 50     | 61-3000            | Pivot shaft, cutting unit frames         | G61-3000    | 24.95   |
| 51     | 93-8849<br>61-1130 | Rear grass shield                        | G93-8849    | 36.70   |
| 52     | 61-0560            | Top shield                               | G61-0560    | 13.10   |
| 53     | 3218-18            | Nut, 1/2-13 Jam                          | G443818     | 0.21    |
| 54     | 57-5190            | Adjusting screw                          | G57-5190    | 1.30    |
| 55     | 61-3280            | Rubber side cover                        | G61-3280    | 2.05    |
| 56     | 61-3290            | Rubber centre cover                      | G61-3290    | 2.30    |
| 57     | 3295-48            | Rivet                                    | G3295-48    | 0.16    |
| 58     | 61-0430            | Rear roller bracket, long                | G61-0430    | 20.95   |
| 59     | 61-0440            | Rear roller bracket, short               | G61-0440    | 20.95   |
| 60     | 61-0910            | Bracket                                  | G61-0910    | 3.75    |
| 61     | 3296-39            | Flanged locknut                          | G3296-39    | 0.61    |
| 62     | 3231-2             | Carriage bolt                            | G3231-2     | 0.35    |
| 63     | 61-0790            | Bolt, roller adjustment                  | G61-0790    | 2.25    |
| 66     | -                  | Battery Petrol (Dry Charged)             |             |         |
| 66     | -                  | Battery Diesel (Dry Charged)             |             |         |
| 67     | 33-1300            | Air Filter Diesel (Perkins)              | G33-1300    | 13.60   |
| 68     | 38-8000            | Fuel Filter, Petrol                      | G18-1520    | 3.95    |

**TEL: (0114) 251 3344**  
**FAX: (0114) 251 3000**

## REELMASTER 216

### PETROL & DIESEL VERSIONS

| Key No  | OEM Part No | Description  | Our Part No | Price £ |   |
|---|-------------|--|-------------|---------|---|
| 64  | -           | ROLLER OVERHAUL KIT                                  | G100145     | 35.95   |   |
|   |             | Bearings, Seals & Nuts to rebuild one roller         |             |         |  |
|   |             | 2 x G253-152 Inner Seal,                             |             |         |   |
|   |             | 2 x G254-79 Bearing Cup,                             |             |         |   |
|   |             | 2 x G254-78 Bearing Cone,                            |             |         |   |
|   |             | 2 x G253-156 Outer Seal,                             |             |         |   |
|   |             | 2 x G71-3590 Adjusting Nut,                          |             |         |   |
| 2 x G302-5 Grease Nipple                        |             |  |             |         |   |
| 65  | -           | CUTTING UNIT OVERHAUL KIT                            | G150545     | 58.12   |   |
|   |             | Bearing Seals & Bushings to rebuild one cutting unit |             |         |  |
|   |             | 2 x G71-1360 Bearing, Cylinder,                      |             |         |   |
|   |             | 1 x G253-84 Seal, Adjusting Handle,                  |             |         |   |
|   |             | 2 x G257-6 Thrust Bearing, Adjusting Handle,         |             |         |   |
|   |             | 2 x G52-2890 Flanged Bushing, Nylon,                 |             |         |   |
|   |             | 6 x G56-9510 Rubber Bushings, Bed Bar & Rollers,     |             |         |   |
| 6 x G56-9520 Bushing, Nylon, Bed Bar & Rollers  |             |  |             |         |   |
| 2 x G62-5510 Rubber Bushing, Bed Bar Adjustment |             |  |             |         |   |

ALL ORIGINAL EQUIPMENT MANUFACTURERS NAMES AND PART NUMBERS  
ARE USED FOR IDENTIFICATION PURPOSES ONLY.

WE ARE NOT IMPLYING THAT THE PARTS ARE ORIGINAL EQUIPMENT PARTS

(UNLESS REFERED TO AS GENUINE)

Visit us on the web

Visit us on the web

**www.garfitts.com**

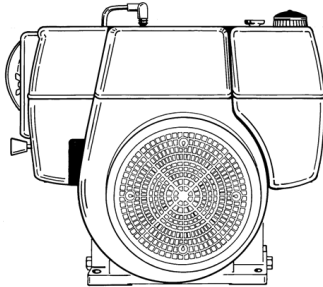
**www.tines.co.uk**

**E-MAIL**  
**sales@garfitts.com**

**E-MAIL**  
**sales@tines.co.uk**

COMPLETE KOHLER ENGINE  
FITS REELMASTER 216  
SIDEWINDER 23000/26000/31000

**KOHLER**  
engines



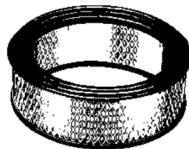
**KOHLER**  
engines

**PRICES MAY CHANGE  
PLEASE CALL FOR A  
QUOTE**

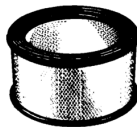
**PRICES MAY CHANGE  
PLEASE CALL FOR A  
QUOTE**

**Model M16QS Spec. 711563  
Part No. KPA711563  
Price - £POA**

**Parts List  
Part No.  
KTP2203A  
Price £8.75**



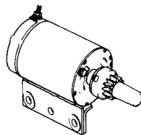
K4508301 Pre Filter (Kohler Pre Packed)  $\Sigma$ 3.23



K4508302 Air Filter (Kohler Pre Packed)  $\Sigma$ 6.86

K4575512 Gasket Set WITH Seals  $\Sigma$ 25.30

K4700402 Gasket Set WITHOUT Seals  $\Sigma$ 10.18



K41-098-06 Starter Motor Assembly  $\Sigma$ 128.70

**All genuine Kohler parts available at discounted prices, please enquire.**