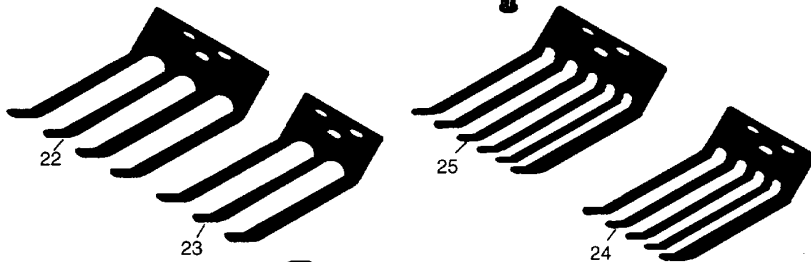
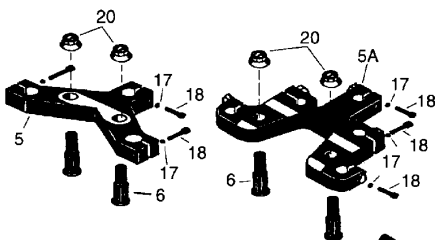
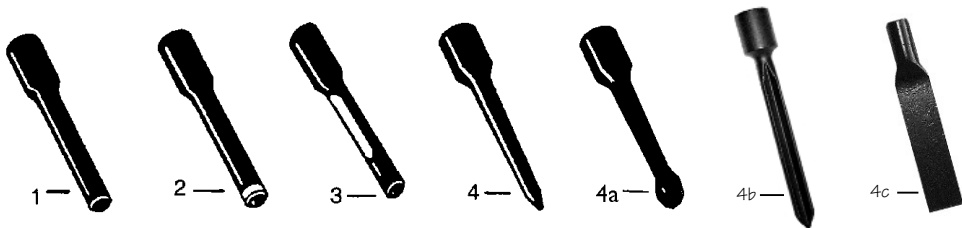
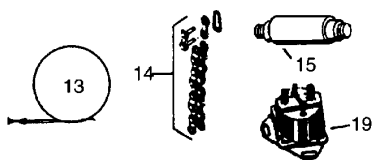
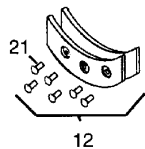
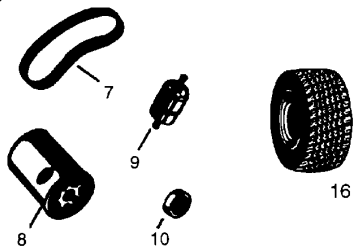


GA30



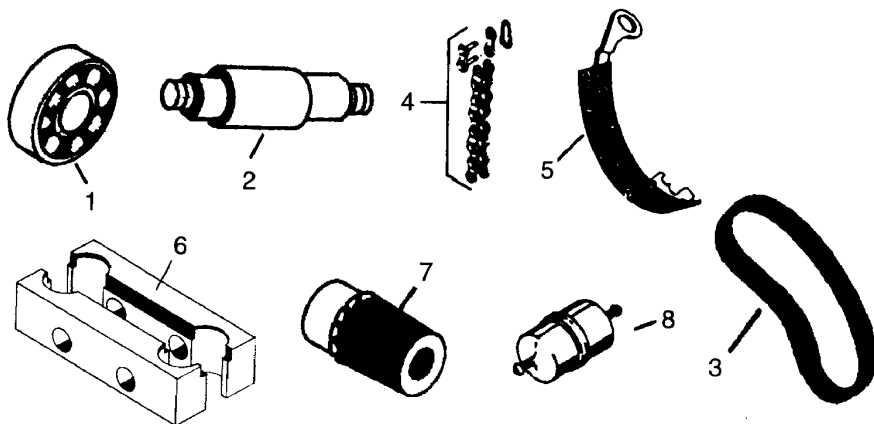
11



GA30

Key No	OEM Part No	Description	Our Part No	Price £
TINES FOR 1/2" MOUNTING Ø				
3	-	1/4" Hollow Tine, side ejector	G523864	5.12
4	-	1/4" Solid Tine, 5" long	G523863	3.80
4	-	1/4" Solid Tine, 2ft" long "overseeding tine"	G201334	2.52
4a	-	1/4" Solid for ft" Quad tine holder (Bullet End)	G201444	3.80
4b		Cross Tine	G201266	8.95
TINES FOR 5/8" MOUNTING Ø				
1	523274	1/2" Hollow Tine	G523274	1.65
1	523475	3/8" Hollow Tine	G523275	1.50
4	-	1/2" Solid Tine	G201411	3.68
4	-	5/16" Solid Tine	G201413	3.80
4	-	3/8" Solid Tine	G201412	3.68
4b		Cross Tine	G201264	8.95
TINES FOR 3/4" MOUNTING Ø				
1	523421	3/8" Hollow Tine	G59-3690	1.65
1	523472	1/2" Hollow Tine	G523472	1.70
2	-	1/2" Hollow Tine Carbide Tipped	G201440	8.05
1	523028	5/8" Hollow Tine	G201410	1.70
2	-	5/8" Hollow Tine Carbide Tipped-Dellenium	G201441TP	8.95
3	-	1/4" Hollow Tine, Side Ejection	G201521	5.25
3	-	3/8" Hollow Tine Side Ejection	G201522	7.30
3	-	1/2" Hollow Tine Side Ejectio	G201523	7.30
4	-	1/4" Solid Tine	G201400	3.80
4	-	5/16" Solid Tine	G201414	3.88
4	-	3/8" Solid Tine	G201415	3.80
4	-	1/2" Solid Tine	G201416	3.55
4	-	5/8" Solid Tine	G201417	3.68
4b		Cross Tine	G201260	8.95
4b		Cross Tine Dillennium Tip	G201263	16.25
4c	-	Chisel Tine	G201255	6.05
OTHER PARTS				
5	547600	Tine Holder 3/4" Mounting Ø	G547600	26.25
5	5476015	Tine Holder 5/8" Mounting Ø	G547601	26.95
5A	547848	Tine Holder 1/2" Mounting Ø	G547848	41.95
6	-	Stud Tine Holder 1/2"	G5476015	2.25
6	-	Stud Tine Holder 7/16"	G5476005	2.05
7	522887	Drive belt Double V	G522887	48.10
8	522972	Hydraulic Oil Filter	G522972	10.65
9	825619	Fuel Filter	G825619	3.95
10	523127	Bearing	G358672	6.95
10	832498	Bearing	G832498	3.95
10	832499	Bearing	G832499	6.10
11	886001	Seal kit, cylinder	G886001	19.95
12	547613	Brake lining, set of two (with rivets)	G547613	8.95
13	523292 - 830815	Choke control	G830815	12.95
14	523097	Chain	G523097	17.95
15	522857	Pivot pin	G522857	10.45
16	-	Tyre, 24-13 x 12, 4 ply turf trac	G390836	113.95
17	306325	Lockwasher, 5/16"	G306325	0.09
18	550098	Bolt, 5/16-18 x 1 1/4	G550098	0.40
19	-	Starter solenoid	G879945	10.50
20	-	Flanged locknut 1/2-20	G32128-31	1.06
-	306435	High Tensile Bolt with Washer	G306435	0.65
21	800527	Rivet, brake lining	G800527	0.25
22	523026	4 Finger turf hold down, use with 3 tine holder	G523026	30.75
23	523027	3 Finger turf hold down, use with 3 tine holder	G523027	27.25
24	524192	5 Finger turf hold down, use with 5 tine holder	G524192	26.95
25	524193	6 Finger turf hold down, use with 5 tine holder	G524193	28.95

GA30-06



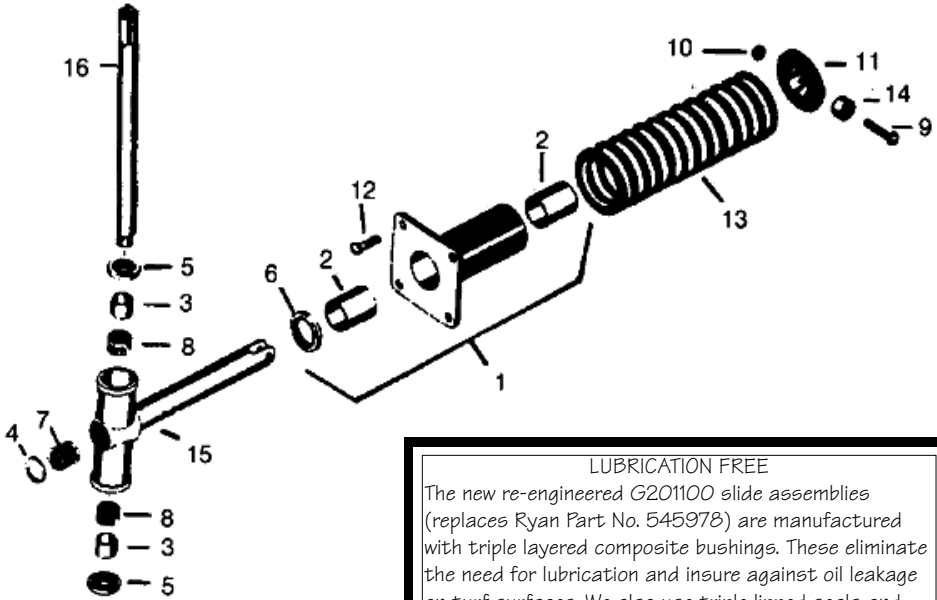
Key No	OEM Part No	Description	Our Part No	Price £
1	523535	Ball bearing, connecting rod	G523535	6.25
1	523533	Ball bearing, crankshaft	G523533	19.95
1	523534	Ball bearing, crank support	G523534	18.25
1	823499	Bearing, Connecting rod	G823499	6.10
2	523545	Pivot pin, old style model 9110 & 9210	G523545	17.95
2	524053	Pivot pin, new style model 544882-1 & up	G524053	17.95
3	523557	Drive belt	G523557	70.95
4	523542	Drive chain	G523542	59.95
5	887284	Brake shoe	G887284	10.71
6	523547	Tine holder 1" Mounting diameter	G523547	25.45
7	832537	Air filter element	G33-1300	13.60
8	821814825619	Fuel filter	G825619	3.95

ALL ORIGINAL EQUIPMENT MANUFACTURERS NAMES AND PART NUMBERS
ARE USED FOR IDENTIFICATION PURPOSES ONLY.

WE ARE NOT IMPLYING THAT THE PARTS ARE ORIGINAL EQUIPMENT PARTS
(UNLESS REFERED TO AS GENUINE)

TEL: (0114) 251 3344 FAX: (0114) 251 3000

“NEW STYLE” SLIDE & GUIDE ASSEMBLY



LUBRICATION FREE

The new re-engineered G201100 slide assemblies (replaces Ryan Part No. 545978) are manufactured with triple layered composite bushings. These eliminate the need for lubrication and insure against oil leakage on turf surfaces. We also use triple lipped seals and induction hardened hard chrome plated shafts for added life.

Key No	OEM Part No	Description	Our Part No	Price £
1	545956	Guide Assembly, Including 2 x No. 2 & 1 x No.6	G545956	48.95
2	522637	Bushing, Guide Assembly, Triple Layered Composite	G522637	7.10
3	522636	Bushing, Slide Assembly, Triple Layered Composite	G522636	3.60
4	306959	Plug, Shaft End	G306959	0.30
5	522640	Seal, Slide Assembly, Triple Lip	G522640	2.35
6	522639	Seal, Guide Assembly, Triple Lip	G522639	2.25
7	522641	Felt Plug, Slide Assembly, (not used on our Slide)	G522641	0.75
8	517692	Felt Pad, Slide Assembly, (not used on our Slide)	G517692	0.47
9	800427	Hex Head Bolt, Slide Assembly	G800427	0.35
10	548911	Flanged Whiz Nut, Slide Assembly	G548911	0.27
11	545643	Retainer, Spring	G545643	7.55
12	548905	Bolt, 3/8 - 16 x 1 Nyloc	G548905	0.35
13	518503	Spring	G518503	13.75
14	548869	Bearing	G548869	16.95
15	545978	Lubrication Free Slide Assembly Complete with Induction Hardened & Hard Chrome plated shaft, including items 3-5	G201100	94.95
16	522642	Push Rod, Induction Hardened & Hard Chrome plated	G522642	28.75