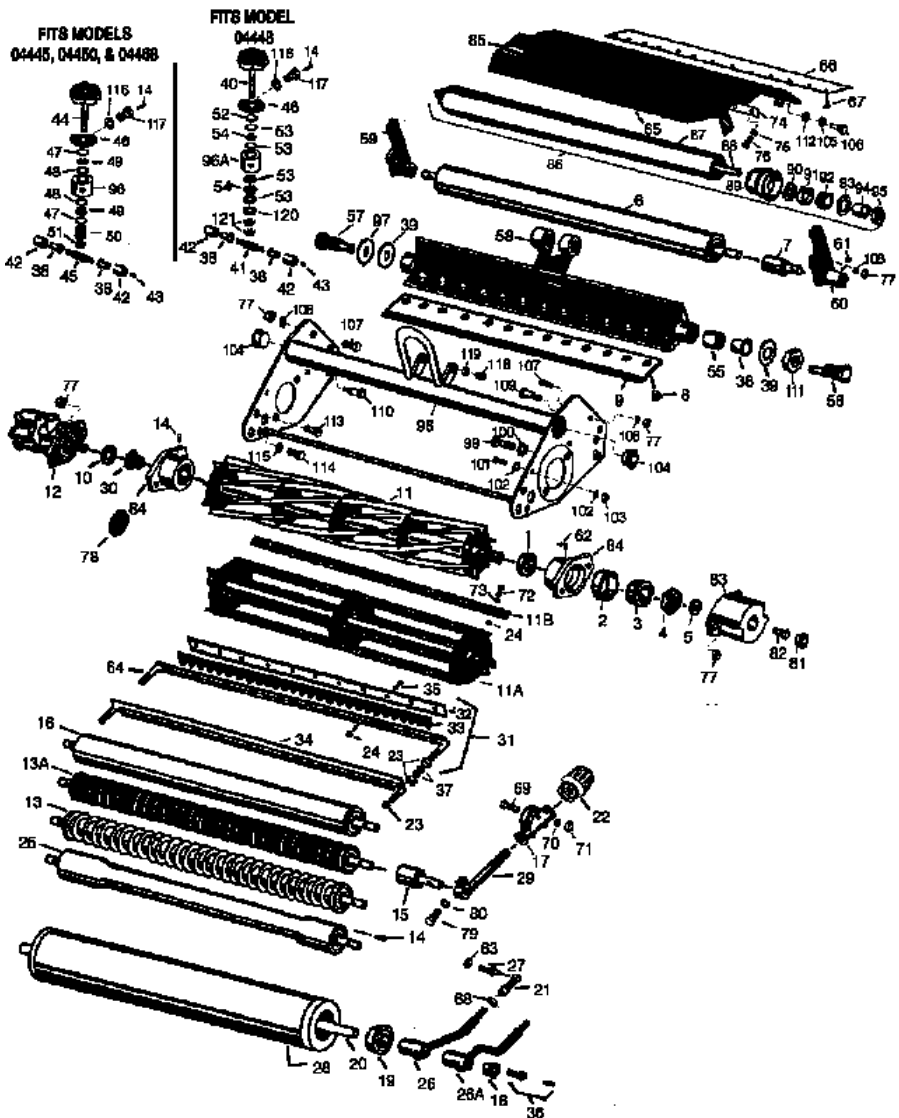


GREENMASTER 300 & 3000

PETROL & DIESEL VERSIONS



TEL: (0114) 251 3344
 FAX: (0114) 251 3000

Parts are not original. OEM part numbers are for reference purposes only.

GREENMASTER 300 & 3000
PETROL & DIESEL VERSIONS

Key No	OEM Part No	Description	Our Part No	Price £
1	253-96	Oil Seal Cylinder	G253-96	3.47
2	254-72	Bearing Cup	G254-72	2.27
3	254-94	Bearing Cone	G254-94	4.80
4	32127-46 - (3296-60)	Lock nut, Cylinder	G32127-46	1.60
5	253-61	Oil Seal, Cylinder	G253-61	2.69
6	52-3120	Rear Roller Assembly (4 lbs)	G52-3120	78.50
6	-	Rear roller Assembly, 2" dia (19 lbs)	G150300	105.95
7	21-8430	Rear Roller Bearing fits G52-3120	G21-8430	16.75
7	-	Rear Roller Bearing fits G150300	G150301	18.85
8	-	Screw, Plated 1/2" long	G150477	0.21
9	-	7 Hole Bed Knife, Super Thick 5/16" Cut	G150462	18.35
9	-	13 Hole Bed Knife, Super Thick 5/16" Cut	G150466	19.75
9	62-2500 (57-4970)	13 Hole Bed Knife, Thick 3/16" Cut	G62-2500	17.95
9	63-8470 - (57-4960)	13 Hole Bed Knife, Thin 1/8" Cut	G63-8470	17.25
9	-	Toro GM1000 Hand GM300, 3000, 3100, 3200, 3250 13 Hole Bed Knife, 1/8" Cut Tungsten Tip	G63-8470TP	53.30
9	63-8560 - (57-4980)	13 Hole Super Thin Bed Knife 3/32" Cut	G63-8560	18.95
9	-	Toro GM1000 Hand GM300, 3000, 3100, 3200, 3250 13 Hole Bed Knife, 3/32" Cut Tungsten Tip	G63-8560TP	55.85
10	353-585	High Pressure Seal, Cylinder Motor Shaft	G353-585	7.08
11	5-3189 - (12-3599)	Cylinder Assembly 8 Blade	G5-3189	120.50
11	-	Cylinder Assembly 8 Blade with heavy duty blades	G5-3189H	125.75
11	-	Cylinder assembly 9 Blades	G5-3195	130.50
11	-	Cylinder assembly 4 Blade	G5-3200	99.95
11	12-8779	Cylinder Assembly 5 Blade Use G5-3215	G5-3205	
11	-	Cylinder Assembly 6 Blade	G5-3206	116.50
11	-	Cylinder Assembly 5 Blade with heavy duty blades	G5-3215	116.50
11	12-2789	Cylinder Assembly 11 Blades	G12-2789	145.50
11A	-	Brush Reel	G150480	112.30
11B	-	Brush with Frame	G150481	19.49
12	10-5090 (26-5690) (70-9800)	Webster Hydraulic Drive Motor	G105-9770	189.95
13	21-6540	Grooved Roller Assembly	G21-6540	111.89
13A	52-3200	Grooved Roller Ductile Iron	G52-3200	119.95
13A	88-6790	2" Aluminium Machined Grooved Roller	G88-6790	114.40
14	302-5	Grease Fitting	G302-5	0.52
15	52-3180 (21-6410)	Front Roller Bearing	G52-3180	16.75
15	52-3210	Front Roller Bearing with Milled Flat	G52-3210	15.95
16	21-6440 (52-3170)	Front Roller Assembly	G21-6440	77.65
17	10-5060	Bracket Roller Adjuster	G10-5060	12.95
18	3-1506	Bushing	G3-1506	2.05
19	251-141	Ball Bearing	G251-141	15.85
20	21-8470	Shaft yoke Roller	G21-8470	20.32
21	8-7710	Ball Joint	G99-1460	7.45

Continues Next Page >>>>>

GREENMASTER 300 & 3000
PETROL & DIESEL VERSIONS

Key No	OEM Part No	Description	Our Part No	Price £
22	65-8600 (10-5040)	Knob, Height Adjustment	G65-8600	12.81
23	3219-1	Nut, 1/4-28	G3219-1	0.10
24	3296-9	Locknut, Comb	G3296-9	0.24
25	21-6470 (52-3590)	Swagged Roller	G21-6470	84.95
26	52-2740	Pull Arm LH with Bushings	G52-2740	22.00
26	52-2750	Pull Arm RH with Bushings	G52-2750	22.00
27	2411-7	Stud	G2411-7	2.20
28	52-2720	Roller with Bearings	G52-2720	101.80
29	10-5010	Roller Adjusting Screw	G10-5010	16.75
29	65-9500	Roller Adjusting Screw for Groomer & Extra Long for Tees	G65-9500	15.95
30	10-5100	Nut, Splined	G10-5100	8.95
31	11-0070	Comb Assembly	G11-0070	33.55
32	8-2520	Support Comb	G8-2520	4.90
33	8-2530	Comb	G8-2530	9.40
34	33-1000	Brush Assembly	G33-1000	24.45
35	3249-3	Screw, Comb	G3249-3	0.06
36	11-0160	Screw Assembly Including G302-5	G11-0160	5.88
37	3254-8	Lockwasher 1/4" Internal Tooth	G3254-8	0.08
38	52-2890	Nylon Flanged Bushing	G52-2890	0.78
39	52-2900	Nylon Washer, Bed Bar Pivot	G52-2900	0.69
40	52-2940	Handle Assembly, 1/2-28 LH Fits GM300 Only	G52-2940	20.63
41	52-2920	Pivot, Bed Bar, 1/2-28 LH Fits GM300 Only	G52-2920	9.84
42	65-5510	Rubber Bushing, Adjusting Handle	G65-5510	2.69
43	302-18	Grease Nipple, Press Side	G302-18	0.80
44	57-4870	Adjusting Handle, 1/2"-20 LH Fits GM3000	G57-4870	19.95
45	57-5260	Pivot 1/2-20, Bed Bar LH Fits GM3000	G57-5260	8.66
46	52-3000	Spring Arm, Adjusting Handle	G52-3000	6.05
47	237-77	O-Ring, Adjusting Handle	G237-77	0.49
48	57-5280	Bearing, Adjusting Handle, Fits GM3000 Only	G57-5280	1.10
49	57-5290	Thrust Bearing Support, Fits GM3000 Only	G57-5290	5.45
50	57-5270	Spring Adjusting Handle Fits GM3000 Only	G57-5270	4.15
51	3296-62	Jam Lock Nut, 1/2-20 LH Fits GM3000	G3296-62	0.76
52	253-84	Seal Adjusting Handle Fits GM300	G253-84	2.25
53	257-5	Thrust Washer Adjusting Handle Fits GM300	G257-5	1.16
54	257-6	Thrust Bearing Adjusting Handle Fits GM300	G257-6	1.55
55	63-9510	Rubber Bushing, Bed Bar	G63-9510	2.80
56	52-2910	Shoulder Bolt, Eccentric	G52-2910	6.51
57	52-2930	Shoulder Bolt	G52-2930	6.25
58	57-494052-2780	Bed Bar 13 Hole	G57-4940	79.95
59	52-3060	HOC Adjustment RH	G52-3060	12.65
60	52-3090	HOC Adjustment LH	G52-3090	12.65
61	3290-125	Set Screw HOC	G3290-125	0.60
62	302-40	Grease Fitting 90°	G302-40	1.50
63	3254-6	Lockwasher, 3/8"	G3254-6	0.08

Continues Next Page >>>>>

GREENMASTER 300 & 3000
PETROL & DIESEL VERSIONS

Key No	OEM Part No	Description	Our Part No	Price £
64	-	Frame, Comb Assembly	G11-0069	14.95
65	57-5200	Grass Shield Assembly Including G57-5210 & G3295-46	G57-5200	41.45
66	57-5210	Deflector, Styrene	G57-5210	2.98
67	3295-46	Rivet, Grass Shield	G3295-46	0.09
68	3220-3	Jam Nut	G3220-3	0.20
69	3230-5	Carriage Bolt	G3230-5	0.42
70	3256-23	Flat Washer	G3256-23	0.09
71	3296-29	Locknut	G3296-29	0.30
72	-	Bolt, 8-32 x 5/8 Hex Head	-G150425	0.10
73	-	Washer 8-32	G150426	0.10
74	36-7260	Cut Off Bar	G36-7260	6.45
75	3256-14	Washer	G3256-14	0.20
76	3290-237	Machine Screw, Hex Head	G3290-237	0.25
77	3296-39	Locknut, 3/8-16 Flanged	G3296-39	0.61
78	-	Protective Cap, Bearing Housing	G150485	0.40
79	321-4	Bolt, Hex Head 1/4-20 x 3/4	G321-4	0.20
80	3253-3	Lockwasher, 1/4"	G3253-3	0.09
81	12-0460	Caplug, End Cap	G12-0460	0.63
82	323-2	Bolt, Hex Head 3/8-16 x 1	G323-2	0.30
83	10-5080	End Cap, Cylinder Bearing Housing	G10-5080	28.85
84	10-5120	Bearing Housing, Cylinder Including 1 x G253-96 & G254-72	G10-5120	32.95
85	-	Decal, Warning	G354083	0.60
86	-	Heavy Duty Rear Roller	G150695	109.95
87	-	Tube Ass'y, Heavy Duty Rear Roller, inc.#89	G150696	74.50
87	-	Tube Only, Heavy Duty Rear Roller	G150697	33.95
88	-	Shaft, Heavy Duty Rear Roller	G150698	22.95
89	-	End Cap, Heavy Duty Rear Roller	G61-0380	22.45
90	-	Inner Seal, Heavy Duty Rear Roller	G253-132	2.20
91	-	Cup, Timken, Heavy Duty Rear Roller	G254-79	2.85
92	-	Cone, Timken, Heavy Duty Rear Roller	G254-78	4.15
93	-	Outer Seal, Heavy Duty Rear Roller	G253-117	3.34
94	-	Wear Sleeve, Heavy Duty Rear Roller	G150674	6.65
95	-	Locknut, Heavy Duty Rear Roller	G3296-15	1.31
96	52-5250	Pivot, Single point Adjustment	G52-5250	28.95
96A	52-2980	Pivot, Single point Adjustment	G52-2980	29.95
97	52-2860	Steel washer, Bed Bar Pivot	G52-2860	0.75
98	70-1200	Frame, Single point adjustment	G70-1200	100.95
99	3290-316	Bolt Hx. Hd. 3/8-16 x 1 1/2	G3290-316	0.29
100	3255-9	Lockwasher, 3/8 ext. Star	G3255-9	0.12
101	321-5	Bolt Hx. Hd.	G321-5	0.18
102	3256-22	Flatwasher, 1/4"	G3256-22	0.08
103	3296-42	Locknut, 1/4"	G3296-42	0.28
104	285-14	Cap, Frame	G285-14	0.47
105	3254-6	Lockwasher, 3/8"	G3254-6	0.08
106	57-9910	Pivot Bolt	G57-9910	1.50
107	323-7	Bolt Hx. Hd.	G323-7	0.22

Continues Next Page >>>>

GREENMASTER 300 & 3000
PETROL & DIESEL VERSIONS

Key No	OEM Part No	Description	Our Part No	Price£
108	3256-24	Flatwasher, 3/8" SAE	G3256-24	0.10
109	52-3100	Eccentric Shoulder Bolt H.O.C L.H.	G52-3100	8.35
110	52-3110	Eccentric Shoulder Bolt, H.O.C. R.H.	G52-3110	7.95
111	3220-6	Hex Jam Nut 5/8-18	G3220-6	0.36
112	237-84	Rubber Grommet	G237-84	0.45
113	32108-20	Screw, Flat Head Countersunk	G32108-20	0.44
114	322-5	Bolt Hx. Hd.	G322-5	0.25
115	3255-8	Lockwasher, 5/16" ext. Star	G3255-8	0.08
116	3256-25	Flatwasher, 7/16" SAE	G3256-25	0.12
117	52-2990	Bolt, Hx. Hd. Spring Retainer	G52-2990	3.95
118	57-5190	Screw, SPA	G57-5190	1.30
119	443818	Hex Jam Nut 1/2-13	G443818	0.21
120	29-8870	Washer. SPA	G29-8870	0.26
121	52-3010	Jam nut 1/2 - 28 L.H.	G52-3010	1.05
122	-	CUTTING UNIT OVERHAUL KIT FITS GM3000	G255-310	36.59
	G253-61	1 x Seal		
	G32127-46	1 x Locknut		
	G237-77	2 x O-Ring		
	G253-96	2 x Seal		
	G254-72	2 x Bearing Cup		
	G254-94	2 x Nylon Washer		
	G52-2900			
	G57-5280	2 x Bearing, Adjuster Handle		
	G62-5510	2 x Rubber Bushing, Adjuster Handle		
	G63-9510	2 x Rubber Bushing, Bed Bar Pivot		
	G52-2890	4 x Nylon Flanged Bushing		



ALL ORIGINAL EQUIPMENT MANUFACTURERS NAMES AND PART NUMBERS
ARE USED FOR IDENTIFICATION PURPOSES ONLY.

WE ARE NOT IMPLYING THAT THE PARTS ARE ORIGINAL EQUIPMENT PARTS

(UNLESS REFERED TO AS GENUINE)

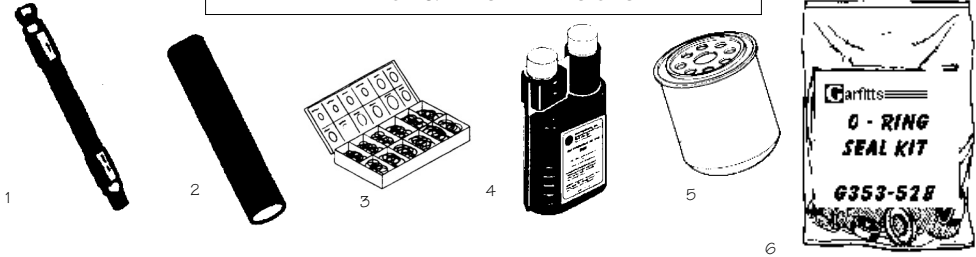
TEL: (0114) 251 3344

FAX: (0114) 251 3300

E-MAIL

sales@garfitts.com

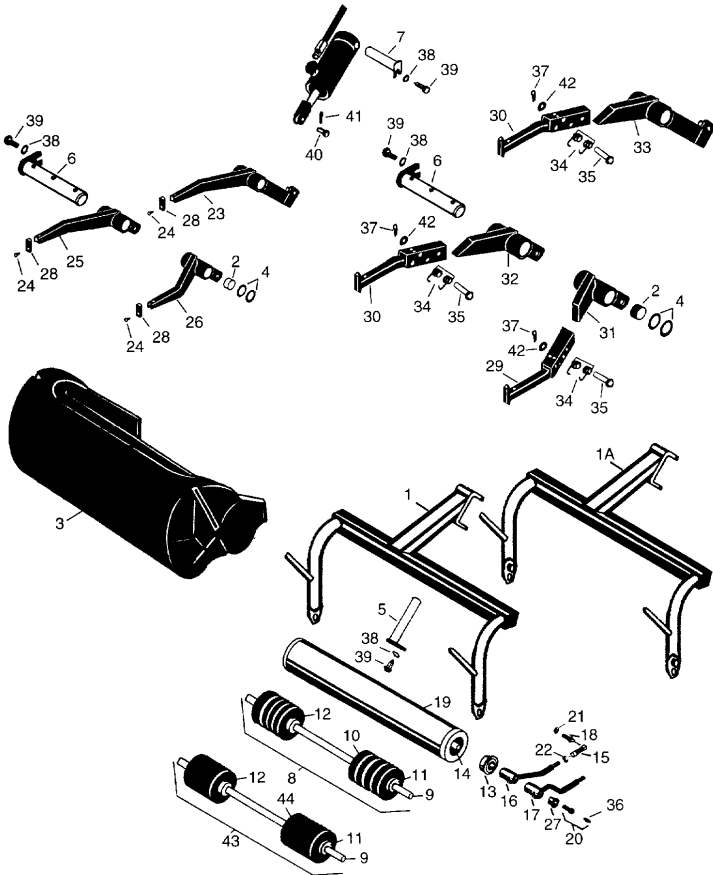
GREENMASTER 300 & 3000
PETROL & DIESEL VERSIONS



Key No	OEM Part No	Description	Our Part No	Price £
HOSES TO SUIT TORO GREENMASTER 300				
1	27-3040	Hose, Tank to Pump	G27-3040	14.45
2	10-7660	Hose, RH Return	G10-7660	21.75
2	10-7670	Hose, LH Return	G10-7670	20.95
2	10-7700	Hose, Cylinder Lift LH	G10-7700	21.15
2	27-2060	Hose, Rear Return	G27-2060	20.95
2	27-2080	Hose, Cylinder Lift RH & Rear	G27-2080	18.95
2	27-2090	Hose, Cylinder Drop LH	G27-2090	19.95
2	27-2100	Hose, Cylinder Drop Rear	G27-2100	20.95
2	38-6710	Hose, Rear Pressure	G38-6710	18.75
2	38-6720	Hose, LH Pressure	G38-6720	16.85
2	38-6730	Hose, RH Pressure	G38-6730	16.95
HOSES TO SUIT TORO GREENMASTER 3000				
1	27-3040	Hose, Tank to Pump	G27-3040	14.45
2	63-3810	Hose, RH Pressure	G63-3810	24.45
2	63-3820	Hose, RH Return	G63-3820	26.45
2	63-3830	Hose, LH Return	G63-3830	21.95
2	63-3840	Hose, Rear Return	G63-3840	23.45
2	63-3850	Hose, Cylinder Drop LH	G63-3850	21.45
2	63-3860	Hose, Rear Pressure	G63-3860	28.45
2	63-3870	Hose, LH Pressure	G63-3870	24.00
2	63-3880	Hose, Cylinder Lift RH & Rear	G63-3880	18.95
2	63-3890	Hose, Cylinder Lift LH	G63-3890	19.95
2	63-3930	Hose, Cylinder Drop Rear	G63-3930	22.95
2	63-3950	Hose, Cylinder RH Drop	G63-3950	22.95
O RING KIT				
3	-	25 x G237-21, G237-22, G237-30, G237-58, .G237-65, G237-79 15 x G237-42, G237-80 10 x G237-54, G237-81, G340-64 5 x G340-63, G340-65	G150555	50.35
4	-	Hydraulic Oil Dye, Concentrate 16 fl oz Bottle	G525	48.25
5	28-2110	Oil Filter, Hydraulic (74-3570)	G28-2110	14.95
6	353-528	O ring seal kit fits valve bank	G353-528	13.35

Parts are not original. OEM part numbers are for reference purposes only.

GREENMASTER 300 & 3000 PETROL & DIESEL VERSIONS



Key No	OEM Part No	Description	Our Part No	Price £
1	47-5960 47-5970 83-0210	Pull frame, R.H. & centre	G83-0210	77.65
1	83-0090	Pull frame, L.H. (shown)	G83-0090	77.65
1A	86-9810	Pull frame, L.H. (shown)	G86-9810*	74.95
1A	86-9820	Pull frame, R.H. centre	G86-9820*	74.95
2	3-0348	Bushing	G3-0348	2.84
3	36-7250 37-8130	Grass catcher, H.D. Polyethylene	G36-7250	55.23
4	10-8110	Washer, pivot pin	G10-8110	0.66

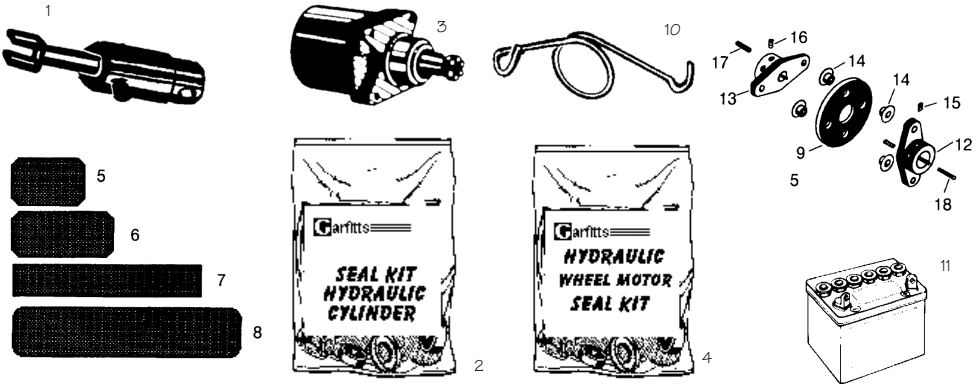
Continues Next Page >>>>>

GREENMASTER 300 & 3000
PETROL & DIESEL VERSIONS

Key No	OEM Part No	Description	Our Part No	Price £
5	10-6090	Pivot pin	G10-6090	12.95
6	10-6110	Hinge pin, front	G10-6110	16.75
6	27-2550	Hinge pin, rear	G27-2550	17.80
7	10-6060	Pivot pin	G10-6060	7.40
8	-	3 1/2" Grooved plastic basket roller assembly	G150325	88.75
9	-	Shaft, Hardened Stainless, Plastic roller	G150326	32.50
10	-	Grooved roller section, plastic roller	G150327	24.95
11	-	Retaining collar	G150328	1.95
12	-	Washer	G302295	0.24
13	251-141	Ball bearing	G251-141	15.85
14	21-8470	Shaft, yoke roller	G21-8470	20.32
15	8-7710	Ball joint	G8-7710	7.42
16	52-2740	Pull arm L.H. with bushings	G52-2740	22.00
16	52-2750	Pull arm R.H. with bushings	G52-2750	22.00
17	95-0585	Pull arm R.H. with bushings	G92-0585	20.55
17	95-0586	Pull arm L.H. with bushings	G92-0586	20.55
18	2411-7	Stud	G2411-7	2.20
19	52-2720	Roller with bearings	G52-2720	101.80
20	11-0160	Screw, assy. (incl # 36)	G11-0160	5.88
21	3254-6	Lockwasher, 3/8"	G3254-6	0.08
22	3220-3	Jam nut	G3220-3	0.20
23	51-2930	Lift arm, Center	G51-2930	73.95
24	3289-18	Screw, Hex socket head	G3289-18	0.40
25	51-2910	Lift arm, R.H., incl. # 2	G51-2910	73.95
26	51-2890	Lift arm, L.H., incl. # 2	G51-2890	73.95
27	3-1506	Bushing	G3-1506	2.05
28	51-3140	Stop, lift arm	G51-3140	5.80
29	62-2390	Lift bar, L.H.	G62-2390	31.45
30	62-2420	Lift bar, R.H. & rear	G62-2420	32.95
31	62-2460	Lift bar, L.H., incl # 2	G62-2460	32.95
32	62-2440	Lift bar, R.H., incl # 2	G62-2440	32.95
33	62-2450	Lift bar, rear., incl # 2	G62-2450	43.95
34	57-7650	Torsion spring, lift arm	G57-7650	3.73
35	63-8750	Clevis pin, lift arm	G63-8750	2.65
36	302-5	Grease nipple	G302-5	0.52
37	3272-12	Cotter pin	G3272-12	0.08
38	3253-4	Lock washer	G3253-4	0.10
39	322-1	Bolt, hex head	G322-1	0.30
40	283-8	Clevis pin	G283-8	1.45
41	3272-10	Cotter pin	G3272-10	0.10
42	3256-26	Washer, 1/2"	G3256-26	0.12
43	-	3 1/2" Solid Plastic Basket Roller Assy.	G150330	76.95
44	-	3 1/2" Solid Plastic Basket Roller Section	G150331	17.95

Parts are not original. OEM part numbers are for reference purposes only.

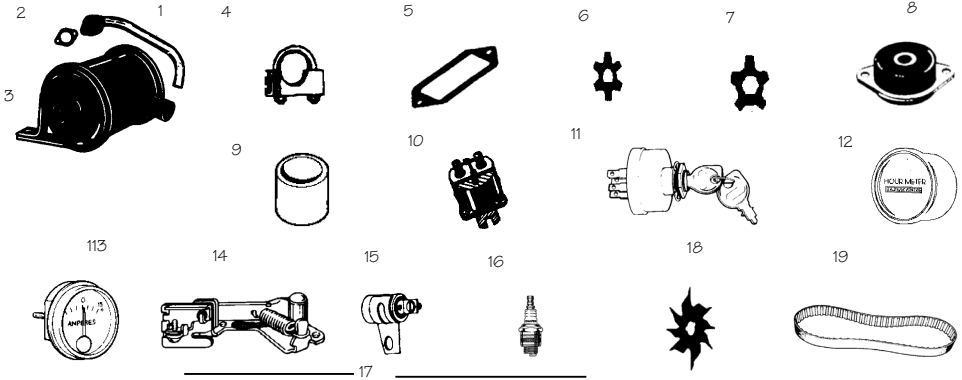
GREENMASTER 300 & 3000 PETROL & DIESEL VERSIONS



Key No	OEM Part No	Description	Our Part No	Price £
1	83-6820 51-0120 63-9500	Cylinder, Front (use G84-8290) OEM ONLY	G83-6820	POA
1	83-7000 43-5260 68-9700	Cylinder, Rear	G83-7000	131.20
2	-	Seal Kit (Fits G51-0120 Cylinder)	G51-0120SK	24.95
2	-	Seal Kit (Fits G63-9500 Cylinder)	G63-9500SK	21.95
2	-	Seal Kit (Fits G83-6820 Cylinder)	G83-6820SK	21.95
2	-	Seal Kit (Fits G43-5260 Cylinder)	G43-5260SK	21.95
2	-	Seal Kit (Fits G68-9700 Cylinder)	G68-9700SK	21.95
2	-	Seal Kit (Fits G83-7000 Cylinder)	G83-7000SK	21.95
3	10-8010	Hydraulic Wheel Motor (ROSS-TRW)	G10-8010	405.95
4	353-461	Seal Kit, Hydraulic Wheel Motor, Fits Series MAB16003A4	G353-461	42.75
4	76-0800	Seal Kit, Hydraulic Wheel Motor, Fits Series MB12-140AAAF	G76-0800	37.45
5	10-8200	Pad, Foot Step, Fits GM300 4 1/4" x 5 3/4"	G10-8200	6.95
6	62-2660	Pad, Foot Step, Fits GM3000 5" x 9 1/2"	G62-2660	4.55
7	10-8220	Pad, Tool Box, Fits GM300 & 3000 4" x 18"	G10-8220	7.95
8	49-6120	Pad, Foot Rest, Fits GM300 & 3000 5 1/4" x 22 3/4"	G49-6120	16.70
9	44-2230	Rubber Coupling, Pump	G44-2230	14.95
10	10-9090	Spring Pedal Pivot (Forward & Reverse)	G10-9090	5.36
11	-	Battery (Dry Charged)	G99213	30.45
12	27-1960	Hub, Engine	G27-1960	17.90
13	27-1970	Hub, Pump	G27-1970	18.11
14	27-6600	Spacer Bushing, Coupling	G27-6600	2.30
15	3241-2	Set Screw Sq. Hd. 1/4-20 x 5/8"	G3241-2	0.60
16	3241-6	Set Screw Sq. Hd. 1/4-20 x 3/4"	G3241-6	0.65
17	5-0946	Key, Square 3/16"	G5-0946	0.85
18	10-7070	Key, Square 1/4"	G10-7070	0.45

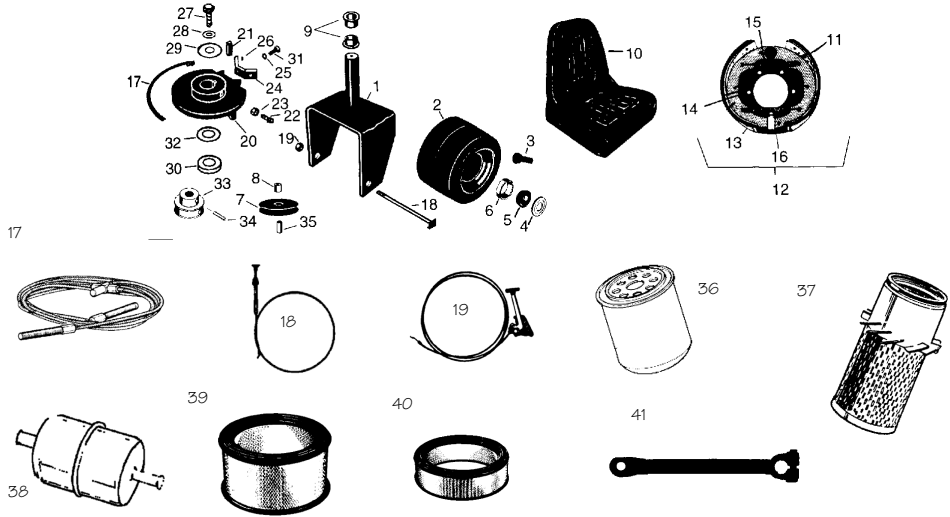
Parts are not original. OEM part numbers are for reference purposes only.

GREENMASTER 300 & 3000
PETROL & DIESEL VERSIONS



Key No	OEM Part No	Description	Our Part No	Price £
1	10-7010	Exhaust Pipe, Fits GM300	G10-7010	22.50
1	62-2270	Exhaust Pipe, Fits GM3000	G62-2270	25.95
2	2210-118	Gasket, Exhaust, Fits GM300	G2210-118	1.48
2	2210-275	Gasket, Exhaust, Fits GM3000	G2210-275	0.95
3	27-3020 36-7200	Muffler, Fits GM300	G36-7200	41.95
3	62-2110	Muffler, 16 HP Engine Fits GM 3000	G62-2110	42.75
4	2412-37	Clamp, Muffler, Fits GM300	G2412-37	2.25
4	2412-76	Clamp, Muffler, Fits GM3000	G2412-76	2.25
5	-	Cover Gasket, Ignition Points	G5204111	0.25
6	65-9400	V-Cut Blade 2 3/8"Ø, 7/8" D Centre Hole	G65-9400	0.63
7	70-1170	V-Cut Blade 2 3/8"Ø, 7/8" Hex Hole	G70-1170	0.72
8	27-2150	Motor Mount	G27-2150	20.21
9	3-0348	Bushing	G3-0348	2.84
10	6-1600	Solenoid, Fits GM300	G6-1600	19.37
10	28-4210	Solenoid, Fits GM3000	G28-4210	19.75
11	27-2360	Ignition Switch (6 Lead) Fits GM3C	G27-2360	12.88
11	23-0660	Ignition Switch (5 Lead) Fits GM 3M	G12-8140	12.95
11	218-412	Key, ignition switch	G343060*	0.97
12	12-9990	Hour Meter, Quartz	G12-9990	35.95
13	33-0990	Ammeter	G33-0990	6.95
14	-	Point Set, Engine	GFG-2770	4.55
15	-	Condenser, Engine	G230722	2.70
16	-	Plug, Champion	HIOC	1.05
17	-	Tune Up Kit	GT3T	8.75
18	20-7380	Spiker Blade	G20-7380	9.95
19	65-9700	Belt, Fits Turf Groomer	G65-9700	10.65

GREENMASTER 300 & 3000 PETROL & DIESEL VERSIONS



Key No	OEM Part No	Description	Our Part No	Price £
1	49-5830	Caster Fork, Fits GM300	G49-5830	89.95
1	62-2220	Caster Fork, Fits GM3000	G62-2220	89.95
2	28-3680	Tyre Smooth (Goodyear)	G28-3680	48.95
2	-	Tube, 18-9.50 x 8	G700131	13.95
2	-	Wheel & Tyre Assembly	G150320	78.70
2	217-60	Wheel with Valve Stem	G217-60	37.25
3	232-24	Valve Stem with Cap	G232-24	2.05
4	253-111	Seal, Steering Axle	G253-111	4.95
5	254-78	Bearing Cone, Steering Axle	G254-78	4.15
6	254-79	Bearing Cup, Steering Axle	G254-79	2.85
10	49-8130	Seat, Black	G49-8130	144.85
11	11-1579 (709840)	Brake Shoe	G11-1579	12.95
12	-	Brake Assembly	G150310	91.95
13	3-6944	Support Plate, Brake Assembly	G3-6944	38.85
14	215-75	Spring, Shoe Hold Down	G215-75	3.15
15	215-76	Spring, Shoe Return	G215-76	3.15
16	215-74	Cam	G215-74	21.95
17	49-5960	Steering Cable (GM300) 13' 9 1/2"	G49-5960	23.05
17	62-2180	Steering Cable (GM3000) 13' 5 1/2"	G62-2180	22.89
18	49-6030	Choke Control Fits GM300 Only	G49-6030	9.85
18	62-2130	Choke Control Fits GM3000 Only	G62-2130	14.65

Continues Next Page >>>>>

GREENMASTER 300 & 3000
PETROL & DIESEL VERSIONS

Key No	OEM Part No	Description	Our Part No	Price £
19	49-6020	Throttle Control, Fits GM300 Only	G49-6020	9.45
19	68-9930	Throttle Control, Fits GM3000 Only	G68-9930	14.81
20	5-3934	Bolt, Caster Fork	G5-3934	14.25
21	3296-50	Locknut, Caster Fork Bolt	G3296-50	1.52
22	256-150	Bushing, Fits GM300 Only	G256-150	4.15
22	256-290	Bushing, Fits GM3000 Only	G256-290	4.15
23	3218-2	Nut 5/16 - 18	G443106	0.10
24	3-8516	Cable anchor, steering drum	G3-8516	2.70
25	3253-4	Lockwasher	G3253-4	0.10
26	3296-4	Locknut 5/16-18	G3296-4	0.25
27	321-4	Bolt, hex head 1/4 - 20 x 3/4 Fits GM300	G321-4	0.20
27	322-3	Bolt, hex head 5/16 - 18 x 3/4 Fits GM3000	G400184	0.30
28	3253-3	"Lockwasher, 1/4" fits GM 300"	G3253-3	0.09
28	3253-4	"Lockwasher, 5/16" "	G3253-4	0.10
29	13-3710	Washer, fits GM300	13-3710	0.70
29	62-2190	Washer, fits GM3000	62-2190	0.70
30	3-6558	Thrust washer, fits GM 300	3-6558	0.70
30	62-2170	Thrust washer, fits GM 3000	62-2170	0.80
31	322-5	Bolt, hex head 5/16-18 x 1	322-5	0.25
32	237-148	Seal, fits GM3000 only	237-148	2.30
33	10-7210	Front steering pulley, fits GM300 only	G10-7210*	34.65
33	62-2160	Front steering pulley, fits GM3000 only	G62-2160*	24.25
34	32121-34	Roll pin, 3/16 X 1 1/2	G32121-34*	0.76
34	10-7240	Sleeve, steering pulley	G10-7240*	1.45
36	67-4330	Oil Filter Mitsubishi Diesel	G67-4330	6.95
37	27-7110	Air Filter Mitsubishi Diesel	G27-7110	15.25
-	63-8300	Fuel Filter Mitsubishi Diesel	G63-8300	22.29
-	43-2550	Fuel filter diesel (paper)	G43-2550	4.25
38	18-1520	Fuel Filter	G18-1520	3.95
39	235116	Air Cleaner, Fits Kohler 14 HP Engine	G235116	6.10
40	45-083-02	Air Cleaner, Fits Kohler 16 HP Engine	G45-083-02	6.95
41	10-7130	Battery cable, positive	G10-7130	4.95
41	28-2120	Battery cable, negative	G28-2120	2.25
41	27-3070	Battery cable, neg. battery to engine	G27-3070	4.95

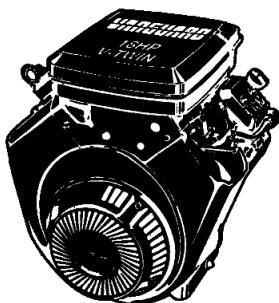
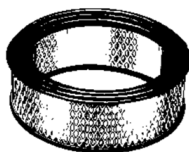
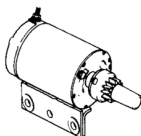


Our Guarantee

We guarantee products supplied will be of an equivalent or superior standard to that of the original

Parts are not original. OEM part numbers are for reference purposes only.

GREENSMATER 3000

**COMPLETE KOHLER ENGINE
FITS TORO GREENSMATER 3000****KOHLER**
engines**KOHLER**
engines**PRICES MAY CHANGE
PLEASE CALL FOR A
QUOTE****Model M16S Spec. 711533****Part No. KPA711533****Price - £POA**K4508301 Pre Filter (Kohler Pre
Packed) Σ 3.23K4508302 Air Filter (Kohler Pre
Packed) Σ 6.86K4575512 Gasket Set WITH Seals
 Σ 25.30**Parts List**
Part No.
KTP2203A
Price £8.75K41-098-06 Starter Motor
Assembly Σ POA**All genuine Kohler parts available at
discounted prices, please enquire.**