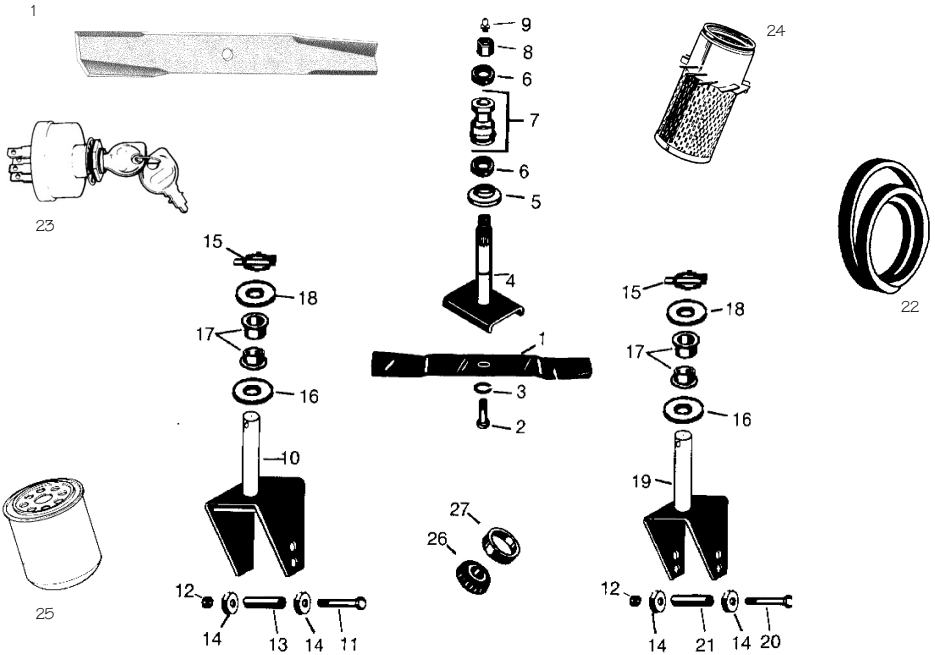


GROUNDMASTER
580D



Key No	OEM Part No	Description	Our Part No	Price £
1	-	Rotary Blade	G69-6920	10.20
2	-	Bolt, blade	G51-4060	4.25
3	3253-8	Lockwasher, 5/8	GF104	0.23
4	69-6760	Spindle shaft	G69-6760	49.95
5	69-6950/92-9800	Spacer	G92-9800	6.45
6	253-154	Seal, spindle	G253-154	2.85
7	71-2530	Bearing assembly, spindle	G71-2530	46.95
8	3296-49	Nut, spindle	G3296-49	1.72
9	302-2	Grease nipple, spindle	G471219	1.30
10	69-6270	Caster fork, centre deck	G69-6270	94.95
11	327-25	Axle, centre deck caster wheel	G327-25	3.59
12	3296-53	Locknut, 5/8-11	G3296-53	1.11
13	251-333	Spacer, centre deck front caster wheel	G251-333	4.25
14	251-321	Bearing, fits G69-6930 & G69-6940	G251-321	10.95

Continues Next Page >>>>>

**GROUNDMASTER
580D**

Key No	OEM Part No	Description	Our Part No	Price £
15	3290-384	Lynch Pin	G3290-384	3.95
16	69-6860	Washer, caster	G69-6860	0.89
17	69-6470	Flanged Bushing, caster fork & axle	G69-6470	3.49
18	69-1510	Spacer, caster	G69-1510	2.25
19	75-9670/69-6310	Caster fork, wing decks	G75-9670	64.95
20	327-17	Axle, Caster wheels rear centre & wing decks	G327-17	3.29
21	251-332	Spacer, Caster wheels rear centre & wing decks	G251-332	3.75
22	69-6220	Belt, Main Drive	G69-6220	55.25
22	93-8457	Belt, Main Drive	G93-8457	51.25
22	76-2060/69-6210	Belt, Wing	G76-2060	13.65
23	27-2360	Ignition Switch	G27-2360	12.95
24	69-1900	Element, air filter	G69-1900	11.95
25	49-2500	Oil filter, engine	G49-2500	9.75
26	254-106	Cone, steering axle, inside	G254-106	7.95
26	254-92	Cone, steering axle, outside	G254-92	6.95
27	254-107	Cup, steering axle, inside	G254-107	3.45
27	254-72	Cup, steering axle, outside	G254-72	2.27

www.garfitts.com

**E-MAIL
sales@garfitts.com**

ALL ORIGINAL EQUIPMENT MANUFACTURERS NAMES AND PART NUMBERS
ARE USED FOR IDENTIFICATION PURPOSES ONLY.

WE ARE NOT IMPLYING THAT THE PARTS ARE ORIGINAL EQUIPMENT PARTS
(UNLESS REFERED TO AS GENUINE)

**E-MAIL
sales@tines.co.uk**

www.tines.co.uk

**TEL: (0114) 251 3344
FAX: (0114) 251 3300**