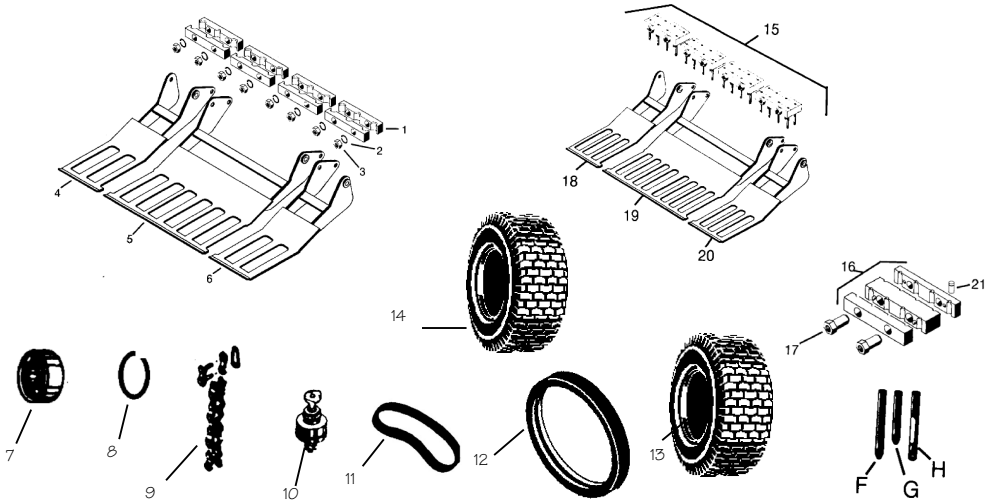


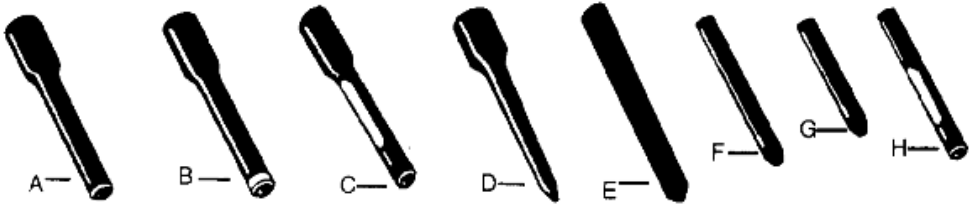
GREENS AERATOR



Key No	O.E.M Part No	Description	Our Part No	Price £
1	59-2500	3 Tine Holder, 3/4" Mount (Each Half)	G59-2500	13.15
1	62-4610	3 Tine Holder, 7/8" Plount (Each Half)	G62-4610	13.10
2	3253-7	Lockwasher 1/2	G3253-7	0.11
3	3217-9	Hex Nut 112-13	G3217-9	0.34
4	72-4640	Left Turf Hold Down	G72-4640	49.95
5	72-4680	Centre Turf Hold Down	G72-4680	59.95
6	72-4660	Right Turf (Hold C)own	G72-4660	49.95
7	251-312	Bearing, Tine Arm	G251-312	6.35
8	32120-22	Retaining ring	GC-10014	1.40
9	59-2080	Chain, Crankshaft	G59-2080	75.95
9	59-2090	Chain, Wheel Drive	G59-2090	31.95
10	23-0660	Key Switch	G23-0660	11.05
11	59-4200	Belt, Pump	G59-4200	7.15
12	66-4070	Belt Main Drive	G66-4070	46.95
13	231-119	Tyre 18x9.50-8,Rib,4ply	G700150	51.95
14	231-126	Tyre 13x5.00-6,Rib,2ply	GL2582	22.75
15	-	32 Tine Holder Assembly Kit, Includes 4 Tine Holders, 8 Nuts & 3 Turf Hold-Downs	G 150350	349.95
16	-	8 Tine Holder	G 150351	49.95
17	-	Nut, 8 Tine Holder	G 150352	5.95
18	-	Left Turf Hold Down**	G 150353	49.95
19	-	Centre Turf Hold Down**	G 150354	59.95
20	-	Right Turf Flold Down**	G 150355	49.95
21	-	Spacer, tine holder	G 150357	1.10

** = These items are for use only with the 8 tine holders.

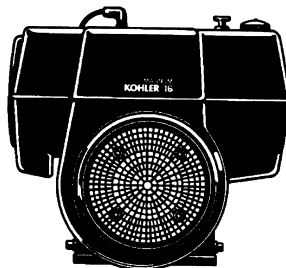
GREENS AERATOR



Key	Description	Hole Size	Mounting Diameter	Quantity Required	Our Part No	Price Each (£)
G	Overseeding Solid Tine, 2.5" (63mm) Long	1/4"	3/8"	32	G150356	2.25
F	Solid Tine, 3.75" (95mm) Long	1/4"	3/8"	32	G201421	2.78
H	Hollow Tine, Side Eject 3.5" (89mm) Long	1/4"	3/8"	32	G800650	3.00
F	Solid Tine 3.5" (89mm) Long	3/8"	3/8"	32	G201420	1.20
C	Hollow Tine, Side Eject 4.25" (108mm) Long	1/4"	3/4"	12	G201521	5.25
D	Solid Tine 4.75" (120mm) Long	1/4"	3/4"	12	G201400	3.80
D	Solid Tine 4.75" (120mm) Long	5/16"	3/4"	12	G201406	3.88
A	Hollow Tine 4.75" (120mm) Long	3/8"	3/4"	12	G59-3690	1.65
D	Solid Tine 4.5" (114mm) Long	3/8"	3/4"	12	G201401	3.32
A	Hollow Tine 4.625" (118mm) Long	1/2"	3/4"	12	G59-3680	1.58
B	Hollow Tine, Carbide Tipped (Dellenium) 5" (127mm) Long	1/2"	3/4"	12	G201404	8.95
D	Solid Tine 4.75" (120mm) Long	1/2"	3/4"	12	G201402	3.37
A	Hollow Tine 4.75" (120mm) Long	5/8"	3/4"	12	G59-3670	1.63
A	Hollow Tine, H.D., 0.62 Wall 4.75" (120mm) Long	5/8"	3/4"	12	G201407HD	2.95
B	Hollow Tine, Carbide Tipped 4.875" (123mm) Long	5/8"	3/4"	12	G201405	8.95
D	Solid Tine 4.875" (123mm) Long	5/8"	3/4"	12	G201403	3.22
A	Hollow Tine 4.75" (120mm) Long	3/4"	7/8"	12	G62-4600	2.15
E	Solid Tine 4.75" (120mm) Long	3/4"	7/8"	12	G201501	4.38

**GREENS AERATOR
KOHLER ENGINE PARTS**

KOHLER
engines



KOHLER
engines

*PRICES MAY CHANGE
PLEASE CALL
FOR A QUOTE

*PRICES MAY CHANGE
PLEASE CALL
FOR A QUOTE

TEL: (0114) 251 3344
FAX: (0114) 251 3000

MODEL M16S SPEC. 711559
PART NO. KPA711559
PRICE - £POA

TEL: (0114) 251 3344
FAX: (0114) 251 3000