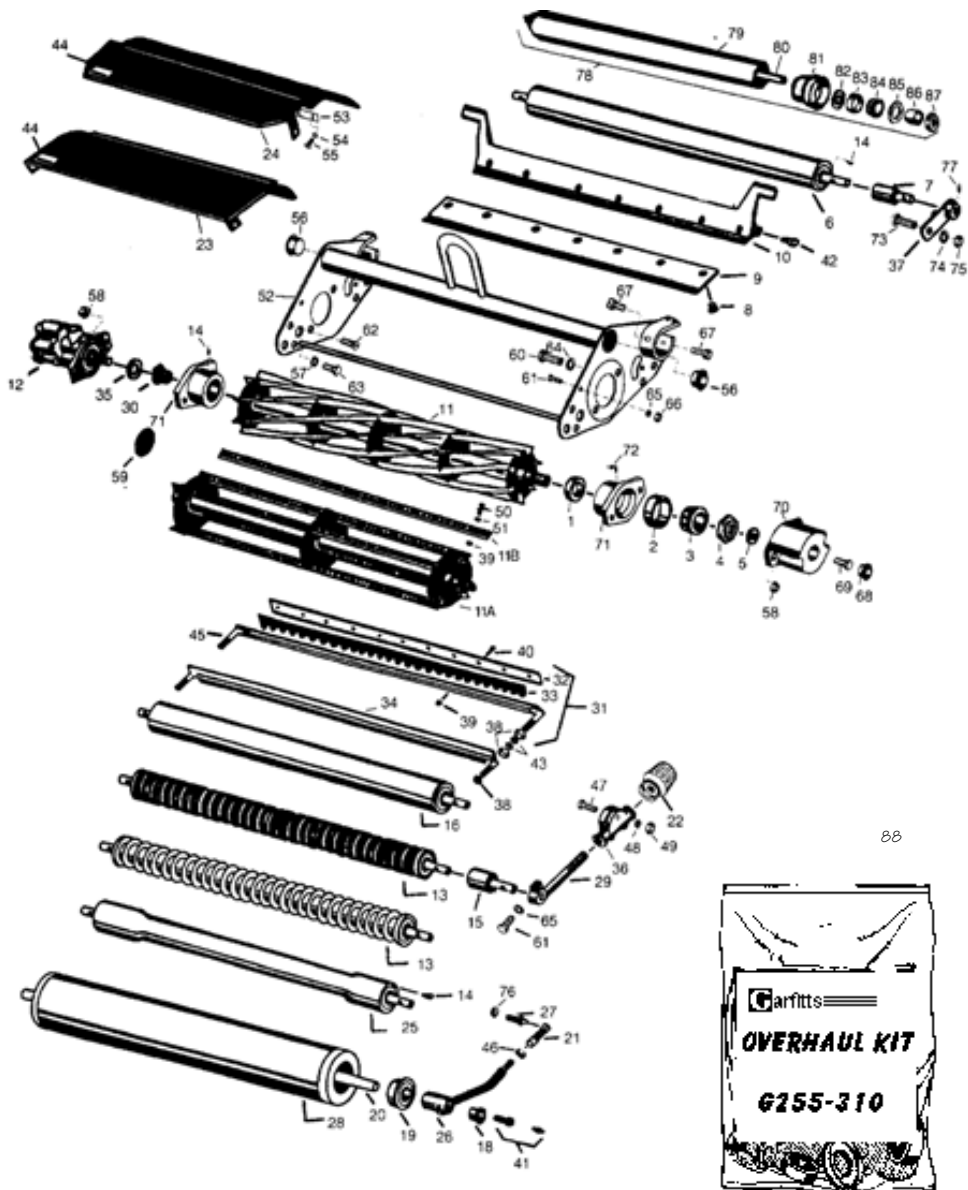


GREENSMMASTER 3



88

**GREENSMATER 3**

Key No	OEM Part No	Description	Our Part No	Price £
1	253-96	Oil Seal, Cylinder	G253-96	3.47
2	254-72	Bearing Cup	G254-72	2.27
3	254-94	Bearing Cone	G254-94	4.80
4	32127-46 - (3296-60)	Lock Nut, Cylinder	G32127-46	1.60
5	253-61	Oil Seal, Cylinder	G253-61	2.69
6	21-8450	Rear Roller Assembly	G21-8450	75.45
7	21-8430	Rear Roller Bearing	G21-8430	16.75
8	57-4910	Screw, plated 5/8"	G150476	0.20
8	-	Screw, plated fl"	G150477	0.21
9	-	Bed knife, tournament 1/16", 7 hole	G150454	24.95
9	51-2610 - (63-8550)	Super thin Bed Knife, 3/32"	G150459	18.95
9	19-8880 - (63-8500)	Thin Bed knife, 1/8"	G150460	18.25
9	-	Toro GM3 7 Hole Bed knife, 1/8" Tungsten Tip	G150460TP	51.25
9	-	Toro GM3 7 Hole Bed knife, 3/32" Tungsten Tip	G150459TP	54.35
9	17-7040 - (62-2510)	Thick Bed knife, 3/16" cut	G150461	18.25
9	-	Super Thick bed knife, 5,16" cut	G150462	18.35
10	10-4930	Bed Bar	G10-4930	73.95
11	5-3189 - (12-3599)	Cylinder 8 blade	G5-3189	120.50
11	-	Cylinder 8 blade with heavy duty blades	G5-3189H	125.50
11	-	Cylinder 9 blades	G5-3195	130.50
11	-	Cylinder 4 blades	G5-3200	99.95
11	12-079	Cylinder 5 blades (use G5-3215)	G5-3205	
11	-	Cylinder 6 blades	G5-3206	116.50
11	-	Cylinder 5 blades with heavy duty blades	G5-3215	116.50
11	12-2789	Cylinder 11 blades	G12-2789	145.50
11A	-	Brush Reel	G150480	112.30
11B	-	Brush With frame	G150481	19.49
12	10-5090 (26-5690) (70-9800)	Webster Hydraulic drive motor	G105-9770	189.95
13	26-6540	Grooved Roller assembly	G21-6540	111.89
13	52-3200	Grooved Roller, ductile iron	G52-3200	119.95
14	302-5	Grease Fitting	G302-5	0.52
15	52-3180(21-6410)	Front Roller bearing	G52-3180	16.75
16	21-6440	Front Roller assembly	G21-6440	77.65
17	3-0348	Bushing	G3-0348	2.84
18	3-1506	Bushing	G3-1506	2.45
19	251-141	Ball Bearing	G251-141	15.85
20	21-8470	Shaft, Yoke roller	G21-8470	20.32
21	8-7710	Ball Joint	G99-1460	7.45
22	65-8600 (10-5040)	Knob, Height adjustment	G65-8600	12.81
23	272620	Grass Shield, old	G27-2620	26.95
24	36-7190	Grass Shield, new	G36-7190	29.87

Continues Next Page >>>>>

## GREENSMATER 3

Key No	OEM Part No	Description	Our Part No	Price £
25	21-6470 (10-5000)	Swagged Roller	G21-6470	84.95
26	21-8490	Full Arm LH with bushings	G21-8490	22.00
26	21-8500	Full Arm RH with bushings	G21-8500	22.00
27	2411-7	Stud	G2411-7	2.31
28	25-5550	Roller With bearings	G25-5550	93.95
29	10-5010	Roller Adjusting Screw	G10-5010	16.75
29	65-9500	Roller Adjusting Screw, Extra Long for Tees & Groomer, Inc Screw & Lockwasher	G65-9500	15.95
30	10-5100	Nut, Splined	G10-5100	8.95
30	77-0560	Splined nut, fits Groomer	G77-0560	13.95
31	11-0070	Comb Assembly	G11-0070	33.55
32	8-2520	Support Comb	G8-2520	4.90
33	8-2530	Comb	G8-2530	9.40
34	33-1000	Brush Assembly	G33-1000	24.45
35	353-585	High Pressure Seal, Reel Motor Shaft	G353-585	7.08
36	10-5060	Bracket	G10-5060	13.28
37	27-2650	Height of Cut Adjuster	G27-2650	11.56
38	3219-1	Nut 1/4-28	G3219-1	0.10
39	3296-9	Locknut, Comb	G3296-9	0.24
40	3249-3	Screw, Comb	G3249-3	0.06
41	11-0160	Screw Assembly	G11-0160	5.83
42	217-74	Bolt, Bed Bar	G217-74	1.30
43	3254-8	Lockwasher	G3254-8	0.08
44	-	Decal, Warning	G354083	0.60
45	-	Frame, Comb Assembly	G11-0069	14.95
46	3220-3	Jam Nut	G3220-3	0.20
47	3230-5	Carriage Bolt	G3230-5	0.42
48	3256-23	Flat Washer	G3256-23	0.09
49	3296-29	Locknut	G32153-3	0.32
50	-	Bolt	G150425	0.10
51	-	Washer 8-32	G150426	0.10
52	70-1100	Frame Cutting Unit	G70-1100	97.95
53	36-7260	Cut Off Bar	G36-7260	6.45
54	3256-14	Washer	G3256-14	0.20
55	3290-237	Machine Screw, Hex Head	G3290-237	0.25
56	285-14	Cap, Frame	G285-14	0.47
57	3255-8	Lockwasher, 5/17 Internal Tooth	G3255-8	0.08
58	3296-39	Locknut, 3/8-16 Flanged	G3296-39	0.61
59	-	Protective Cap, Bearing Housing	G150485	0.40
60	3290-316	Bolt	G3290-316	0.29
61	321-4	Bolt	G321-4	0.20
62	32108-20	Screw Flat Head Slotted	G32108-20	0.44
63	322-5	Bolt	G322-5	0.25
64	3255-9	Lockwasher 3/8 External Tooth	G3255-9	0.12
65	3253-3	Lockwasher 1/4	G3253-3	0.09
66	3217-5	Nut 1/4-20	G3217-5	0.09

Continues Next Page &gt;&gt;&gt;&gt;&gt;

**GREENSMATER 3**

Key No	OEM Part No	Description	Our Part No	Price £
67	3243-13	Adjusting Screw, Bed Bar	G3243-13	1.00
68	12-0460	Caplug, End Cap	G12-0460	0.63
69	323-2	Bolt	G323-2	0.30
70	10-5080	End Cap, Reel Bearing Housing	G10-5080	28.85
71	10-5120	Bearing Housing, Reel	G10-5120	32.95
72	302-40	Grease Fitting 90°	G302-40	1.50
73	325-5	Carriage Bolt	G325-5	0.37
74	3253-7	"Lockwasher 1/2""	G3253-7	0.11
75	3217-9	Hex Nut	G3217-9	0.34
76	3254-6	Lockwasher 3/8	G3254-6	0.08
77	3290-125	Set Screw	G3290-125	0.60
78	-	Heavy duty rear roller 2 1/2" dia. w/ Timken tapered bearings	G150692	108.95
79	-	Tube assembly, heavy duty rear roller, incl # 81	G150696	74.50
79	-	Tube only, heavy duty rear roller	G150697	33.95
80	-	Shaft, heavy duty rear roller	G150693	22.95
81	-	End cap, heavy duty rear roller	G61-0380	22.45
82	-	Inner seal, heavy duty rear roller	G253-152	2.42
83	-	Cup, Timken, heavy duty rear roller	G254-79	2.85
84	-	Cone, Timken, heavy duty rear roller	G254-78	4.15
85	-	Outer seal, heavy duty rear roller	G253-117	3.34
86	-	Wear sleeve, heavy duty rear roller	G150674	6.65
87	-	Locknut, heavy duty rear roller	G3296-15	1.31
88	-	CUTTING UNIT OVERHAUL KIT - 1 x Seal, 1 x Locknut, 2 x Oil Seal, 2 x Bearing Cup, 2 x Bearing Cone	G255-300	24.95

ALL ORIGINAL EQUIPMENT MANUFACTURERS NAMES AND PART NUMBERS ARE USED FOR IDENTIFICATION PURPOSES ONLY.

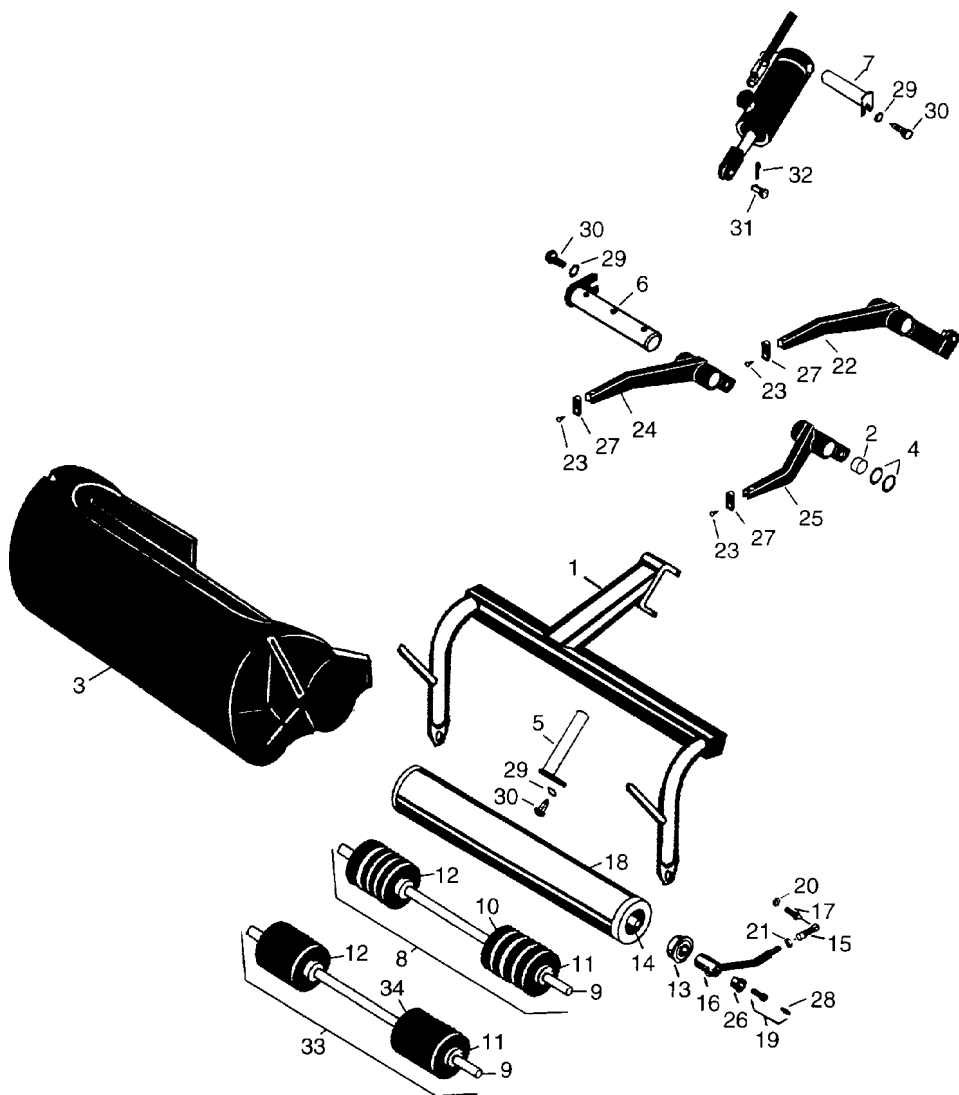
WE ARE NOT IMPLYING THAT THE PARTS ARE ORIGINAL EQUIPMENT PARTS

(UNLESS REFERED TO AS GENUINE)

**TEL: (0114) 251 3344**

**FAX: (0114) 251 3000**

## GREENSMMASTER 3



**GREENSMASTER 3**

Key No	OEM Part No	Description	Our Part No	Price £
1	36-7250	Grass Catcher H.D. Polythene	G36-7250	55.23
2	12-8190 47-5970 83-0090	Pull Frame, L.H	G83-0090	77.65
2	12-8200 47-5960 83-0210	Pull Frame Centre & R.H.	G83-0210	77.65
3	3-0348	Bushing	G3-0348	2.84
4	10-8110	Washer, Pivot Pin	G10-8110	0.66
5	10-6090	Pivot Pin	G10-6090	12.95
6	10-6110	Hinge Pin, Front	G10-6110	16.75
6	27-2550	Hinge Pin, Rear	G27-2550	17.80
7	10-6060	Pivot Pin	G10-6060	7.40
8	-	3 1/2" grooved plastic basket roller assembly	G150325	88.75
9	-	Shaft, hardened stainless plastic roller	G150326	29.95
10	-	Grooved roller section, plastic roller	G150327	24.95
11	-	Retaining collar	G150328	1.95
12	-	Washer	G302295	0.24
13	251-141	Ball bearing	G251-141	15.85
14	21-8470	Shaft, yoke roller	G21-8470	20.32
15	8-7710	Ball joint	G8-7710	7.42
16	21-8490	Pull arm L.H. with bushings	G21-8490	21.79
16	21-8500	Pull arm R.H. with bushings	G21-8500	21.79
17	2411-7	Stud	G2411-7	2.20
18	25-5550	Roller with bearings	G25-5550	93.95
19	11-0160	Screw assembly	G11-0160	5.88
20	3254-6	"Lockwasher 3/8""	G3254-6	0.08
21	3220-3	Jam nut	G3220-3	0.20
22	51-2930	Lift arm, centre	G51-2930	73.95
22	27-2520	Use 1 each of G51-2930, G51-3140, & G3289-18	-	-
23	3289-18	Screw, hex socket head	G3289-18	0.40
24	51-2910	Lift arm, R.H. incl. #2	G51-2910	73.95
24	20-7650	Contains 1 each of G51-2910, G51-3140, & G3289-18	G20-7650	73.95
25	51-2890	Lift arm, R.H. incl. #2	G51-2890	73.95
25	20-7670	Use 1 each of G51-2890, G51-3140, & G3289-18	-	-
26	3-1506	Bushing	G3-1506	2.05
27	51-3140	Stop, lift arm	G51-3140	5.80
28	302-5	Grease nipple	G302-5	0.52
29	3253-4	Lock washer	G3253-4	0.10
30	322-1	Bolt, hex head	G322-1	0.30
31	283-8	Clevis Pin	G283-8	1.45
32	3272-10	Cotter pin	G3272-10	0.10
33	-	3 1/2" Solid Plastic Basket roller assembly	G150330	76.95
34	-	3 1/2" Solid Plastic Basket roller Section	G150331	17.95

**E-MAIL**  
sales@garfitts.com

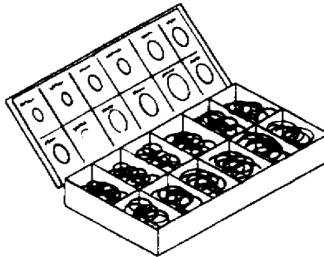
**TEL: (0114) 251 3344**  
**FAX: (0114) 251 3300**

**GREENSMATER 3**

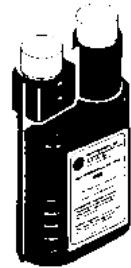
1



2



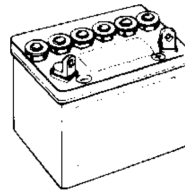
3



4



5

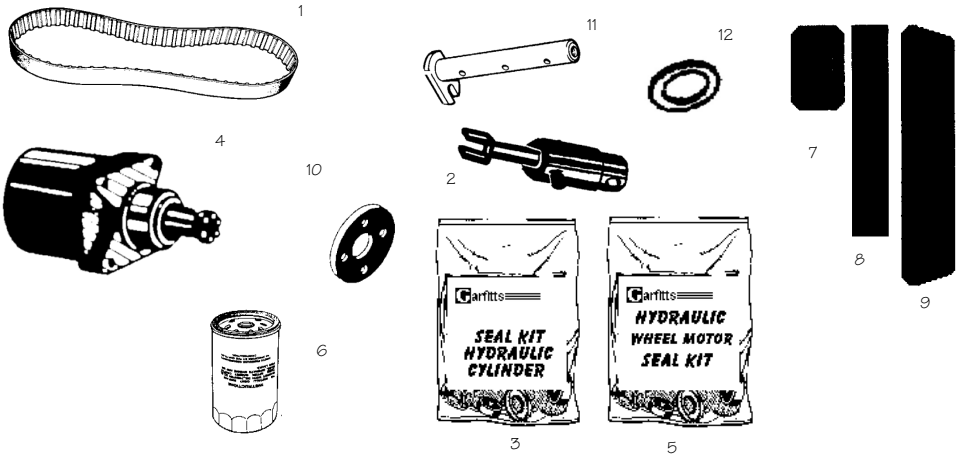


6

Key No	OEM Part No	Description	Our Part No	Price £
1	10-7620	Rear Pressure Hose	G10-7620	21.75
1	10-7640	Rear Return Hose	G10-7640	20.95
1	10-7660	R.H. Return Hose	G10-7660	21.75
1	10-7670	L.H. Return Hose	G10-7670	20.95
1	10-7700	R.H. Lift & Drop Cylinder Hose	G10-7700	21.15
1	10-7700	Cylinder Lift L.H. Hose	G10-7700	21.15
1	10-7710 10-7690	Cylinder Lift Rear & L.H. Hose	G10-7710	18.95
1	10-7740	Cylinder Drop Hose	G10-7740	18.25
1	27-2060	Rear Return Hose	G27-2060	20.95
1	27-2080	Cylinder Lift R.H. & Rear Hose	G27-2080	18.95
1	27-2090	Cylinder Drop L.H. Hose	G27-2090	19.95
1	27-2100	Cylinder Drop Rear Hose	G27-2100	20.95
1	27-2110	Cylinder Drop R.H. Hose	G27-2110	18.45
1	38-6710 27-2070	Rear Pressure Hose	G38-6710	18.75
1	38-6720 10-7630	L.H. Pressure Hose	G38-6720	16.85
1	38-6730 10-7650	R.H. Pressure Hose	G38-6730	16.95
2	27-3040	Hose, Tank to Pump	G27-3040	14.45
3	-	O-Ring Seal Kit with Case	G150555	44.95
4	-	Hydraulic Oil Dye, Concentrate 16fl.oz. Bottle	G525	48.25
5	10-9090	Spring Pedal Pivot Forward/Reverse	G10-9090	5.36
6	-	Battery (Dry Charged)	G99213	30.45

**TEL: (0114) 251 3344****FAX: (0114) 251 3000**

**GREENSMASTER 3**

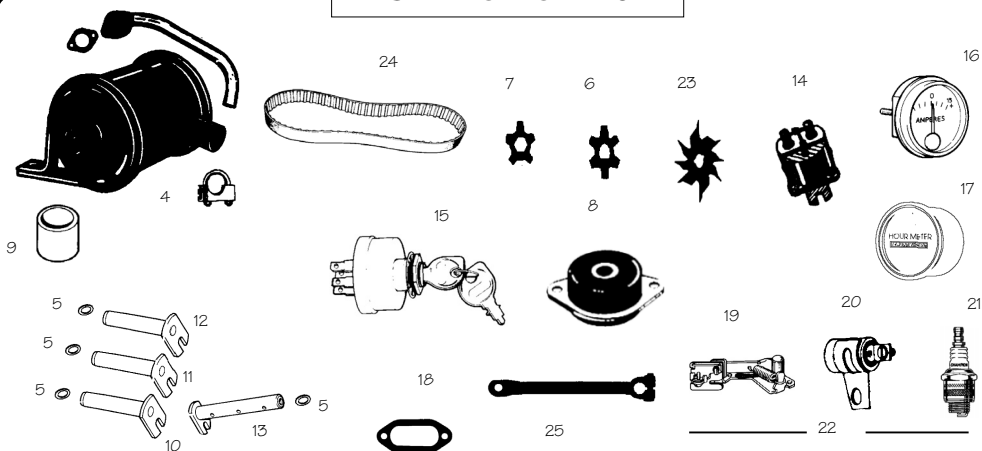


Key No	OEM Part No	Description	Our Part No	Price £
1	10-7450	Belt	G10-7450	36.45
3	-	Seal Kit (Cylinder G43-5260)	G43-5260SK	21.95
3	-	Seal Kit (Cylinder G68-9700)	G68-9700SK	21.95
2	83-7000 27-2510 43-5260 68-9700	Cylinder, Rear	G83-7000	131.20
3	-	Seal Kit (Cylinder G83-7000)	G83-7000SK	21.95
3	-	Seal Kit (Cylinder G46-3690)	G46-3690SK	24.95
3	-	Seal Kit (Cylinder G51-0120)	G51-0120SK	24.95
3	-	Seal Kit (Cylinder G63-9500)	G63-9500SK	21.95
2	83-6820 10-7900 46-3690 51-0120 63-9500	Cylinder, Front	G83-6820	126.95
3	-	Seal Kit (Cylinder G83-6820)	G83-6820SK	21.95
4	10-8010	Hydraulic Wheel Motor (R055-TRW)	G10-8010	405.95
5	353-461	Seal Kit Hydraulic Wheel Motor Fits Series MAB16003A4	G353-461	42.75
5	76-0800	Seal Kit, Hydraulic Wheel Motor Fits Series MB12-1408AAAF	G76-0800	37.45
6	28-1370	Oil Filter Hydraulic (Prior 1977)	G28-1370	9.45
6	28-2110	Oil Filter Hydraulic	G28-2110	14.95
7	10-8200	Pad, Foot Step	G10-8200	6.95
8	10-8210	Pad, Foot Rest	G10-8210	14.25
9	10-8220	Pad, Tool Box	G10-8220	7.95
10	44-2230 27-6560	Rubber Coupling Pump	G44-2230	14.95
11	10-6060	Pivot pin, hydraulic cylinder	G10-6060	7.40
12	10-8110	Washer, pivot pin	G10-8110	0.66

Parts are not original. OEM part numbers are for reference purposes only.



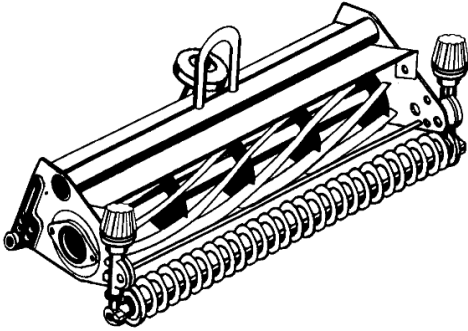
## GREENSMMASTER 3



Key No	OEM Part No	Description	Our Part No	Price £
1	10-7010	Exhaust Pipe	G10-7010	22.50
2	2210-118	Gasket Exhaust	G2210-118	1.48
3	27-3020 36-7200	Muffler	G36-7200	41.95
4	2412-37	Clamp, Muffler	G2412-37	2.25
5	10-8110	Washer, Pivot Pin	G10-8110	0.66
6	65-9400	Groomer Blade 2 3/8"Ø, 7/8" D Centre Hole	G65-9400	0.63
7	70-1170	Groomer Blade 2 3/8"Ø, 7/8" Hex Hole	G70-1170	0.72
8	27-2150	Motor Mount	G27-2150	20.21
9	3-0348	Bushing	G3-0348	2.84
10	10-6060	Pivot Pin, Hydraulic Cylinder	G10-6060	7.40
11	10-6090	Pivot Pin	G10-6090	12.95
12	10-6110	Hinge Pin	G10-6110	16.75
13	27-2550	Hinge Pin	G27-2550	17.80
14	6-1600	Solenoid	G6-1600	19.37
15	12-8140	Ignition Switch (5 Lead)	G12-8140	12.95
15	27-2360	Ignition Switch (6 Lead)	G27-2360	12.88
15	218-412	Key, ignition switch	G343060*	0.97
16	12-9990	Hour Meter, Quartz	G12-9990	35.95
17	33-1010 33-0990	Ammeter	G33-0990	6.95
18	-	Cover Gasket, Ignition Points	G5204111	0.25
19	-	Point Set, Engine	GF6-2770	4.55
20	-	Condensor, Engine	G230722	2.70
21	-	Plug, Champion	H10C	1.05
22	-	Tune Up Kit	GT3T	8.75
23	20-7380	Spiker Blade	G20-7380	9.95
24	65-9700	Belt, Fits Turf Groomer	G65-9700	10.65
25	10-7130	Battery cable, positive	G10-7130	4.95
25	28-2120	Battery cable, negative	G28-2120	4.75
25	27-3070	Battery cable, neg, battery to engine	G27-3070	5.95

**NEW COMPLETE CUTTING UNIT**  
FITS GM3, GM300, GM3000, GM3100, & GM3100D

**SINGLE POINT ADJUSTMENT**



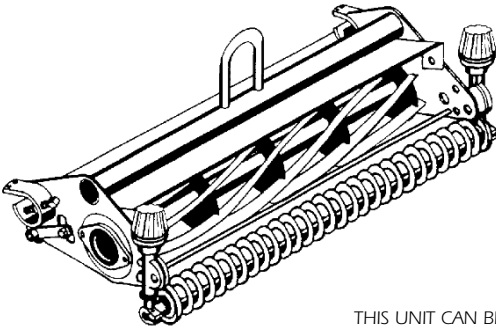
**Complete with:**

- Choice of Cylinder  
(4,5,6,8,9 or 11 Blades)
- Thin Bed Knife
- Solid Rear Roller
- Grooved Front Roller

**£875.00**

G 150201

**COMPLETE CUTTING UNIT**  
GM3, GM300, GM3000 & GM3100



**£795.00**

G150200

G150200

**COMPLETE WITH 8 BLADE CYLINDER,  
STANDARD BED KNIFE, GROOVED FRONT  
ROLLER AND SOLID REAR ROLLER**

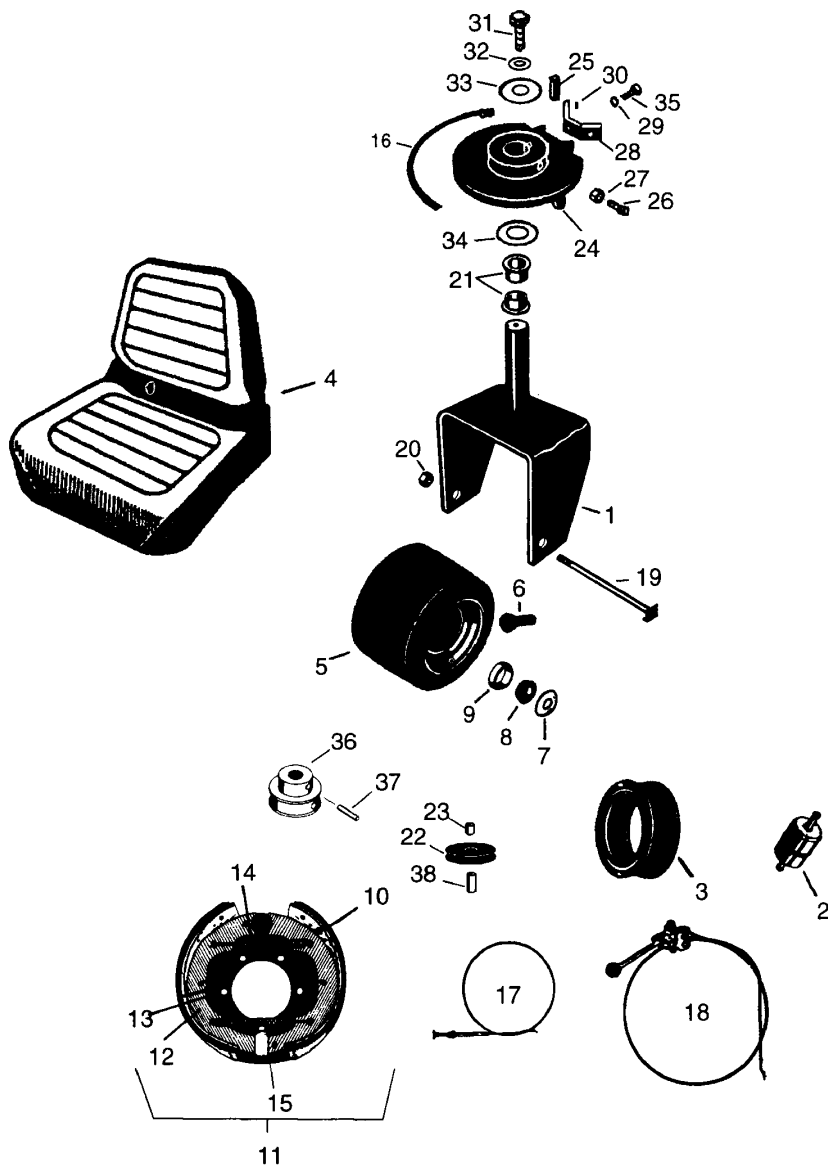
THIS UNIT CAN BE SUPPLIED WITH ANY COMBINATION OF BED KNIFE,  
CYLINDER (IE 4/5/6/9/11 BLADED), OR ROLLER COMBINATION

COMB OR BRUSH ASSEMBLY CAN BE FITTED: **G33-1000 BRUSH ASSEMBLY** £24.45  
**G11-0070 COMB ASSEMBLY (POLY)** £33.35

**TEL: (0114) 251 3344**

**FAX: (0114) 251 3000**

## GREENSMMASTER 3

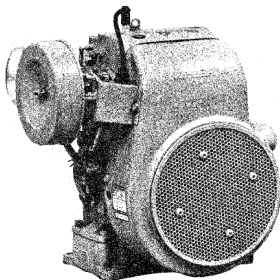
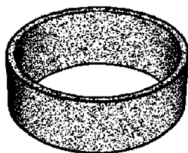
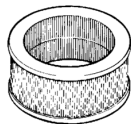
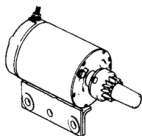


TEL: (0114) 251 3344  
FAX: (0114) 251 3000

**GREENSMASTER 3**

Key No	OEM Part No	Description	Our Part No	Price £
1	22-7480	Fork, Rear Steering Wheel, Old 6" Shaft	G22-7480	89.95
1	23-4590	Fork, Rear Steering Wheel, New 8" Shaft	G23-4590	89.95
2	18-1520	Fuel Filter	G18-1520	3.95
3	235116	Air Cleaner Fits Kohler Engine	G235116	6.10
4	-	Cushion Seat - Black	G750100B	104.95
4	-	Cushion Seat - White	G750100W	99.95
4	-	Back Cushion Material Only - Black	G750101B	25.95
4	-	Back Cushion Material Only - White	G750101W	25.95
4	-	Bottom Cushion Material Only - Black	G750102B	25.95
4	-	Bottom Cushion Material Only - White	G750102W	25.95
5	28-3680	Tyre, Smooth (Goodyear)	G28-3680	47.95
5	-	Tube, 18-9.50 x 8	G700131	13.95
5	-	Wheel & Tyre Assembly	G150320	78.70
5	217-60	Wheel with Valve Stem	G217-60	37.25
6	232-24	Valve Stem with Cap	G232-24	2.05
7	253-111	Seal, Steering Axle	G253-111	4.95
8	254-78	Bearing Cone, Steering Axle	G254-78	4.15
9	254-79	Bearing Cup, Steering Axle	G254-79	2.85
10	11-1579	Brake Shoe	G11-1579	12.95
11	-	Brake Assembly	G150310	91.95
12	3-6944	Support Plate - Brake Assembly	G3-6944	38.85
13	215-75	Spring, Shoe Hold Down	G215-75	3.15
14	215-76	Spring, Shoe Return	G215-76	3.15
15	215-74	Cam	G215-74	21.95
16	10-7220	Cable Steering 13'	G10-7220	25.95
17	6-9150	Choke Control	G6-9150	8.65
18	23-4800	Throttle Cable	G23-4800	22.45
19	5-3934	Bolt - Caster Fork	G5-3934	14.25
20	3296-50	Locknut - Caster Fork	G3296-50	1.52
21	256-150	Bushing	G256-150	4.15
22	5-2653	Idler Pulley, Steering Cable	G5-2653	19.95
23	256-2	Bushing, Idler Pulley	G256-2	1.75
24	5-1894 51-2710	Steering drum	G51-2710	44.65
25	5-0946	Key, steering drum, use with G51-2710	G5-0946	0.85
26	3242-9	Square head set screw, cup point	G3242-9	0.70
27	3218-2	Nut 5/16-18	G443106	0.10
28	3-8516	Cable anchor, steering drum	G3-8516	2.70
29	3253-4	Lockwasher	G3253-4	0.10
30	3296-4	Locknut	G3296-4	0.25
31	321-4	Bolt, hex head	G321-4	0.20
32	3253-3	Lockwasher	G3253-3	0.09
33	13-3710	Washer	G13-3710	0.70
34	3-6558	Thrust washer	G3-6558	0.70
35	322-5	Bolt	G322-5	0.25
36	10-7210	Front steering pulley	G10-7210	34.65
37	32121-34	Roll pin	G32121-34	0.76
38	10-7240	Sleeve, steering pulley	G10-7240	1.45

GREENSMASTER 3 &amp; 300

**COMPLETE KOHLER ENGINE  
FITS GREENSMASTER 3 & 300****KOHLER**  
engines**KOHLER**  
engines**PRICES MAY CHANGE  
PLEASE CALL FOR A  
QUOTE****Model K321S Spec. 60407  
Part No. KPA60407  
Price - £1087.75**K237421 Pre Filter (Kohler Pre  
Packed)  $\Sigma$ 2.40K235116 Air Filter (Kohler Pre  
Packed)  $\Sigma$ 6.10**Parts List  
Part No.  
KTP2379  
Price £8.75**K4775508 Gasket Set WITH Seals  
 $\Sigma$ 34.93K45-098-09  
(REPLACES 45-098-07) Starter  
Motor Assembly  $\Sigma$ 137.17**All genuine Kohler parts available at  
discounted prices, please enquire.**