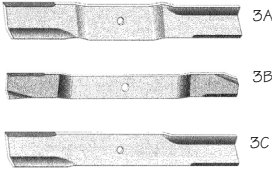
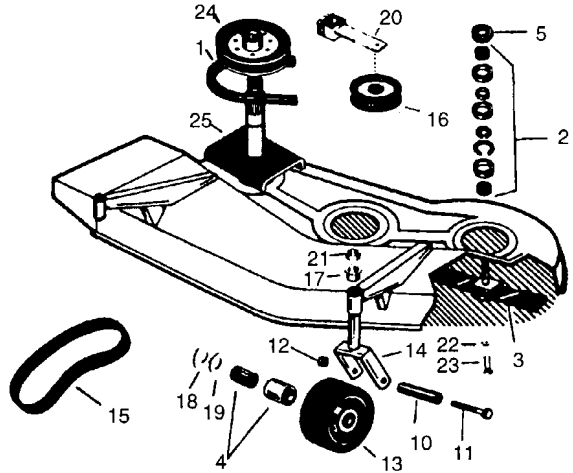
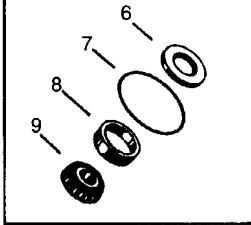


## GROUNDMASTER 52, 62, 117, 217-D, & 220



### Gear Box Parts



Key No	OEM Part No	Description	Our Part No	Price £
1	27-1160	Deck Belt (Fits GM 52)	G150515	35.95
1	44-6260	Deck Belt (Fits GM 62)	G44-6260	32.95
2	46-8530/27-0960	Bearing Set, Timken with Rings & Spacers	G46-8530	32.95
3C	27-0990	Blade, Cutter (Fits GM 52)	G2990	8.45
3A	44-6250	Blade, Cutter (Fits GM 62)	G2335	7.95
3C	40-3760	Blade, Cutter (Fits GM 117 52" Deck)	G40-3760	8.95
3B	57-0250	Blade, Cutter (Fits GM217D & 220 72" Deck)	G57-0250	11.95
	-	Blade, Cutter (Fits GM62 Recycler deck)	G92-5608	16.65
4	27-1210	Roller Bearing & Sleeve	G27-1210	12.95
5	253-139	Seal Spindle	G253-139	3.45
6	253-137	Seal, Gear Box	G253-137	3.10
7	237-97	O-Ring, Gear Box	G237-97	0.85
8	254-90	Cup, Gear Box	G254-90	2.95
9	254-91	Cone, Gear Box	G254-91	5.95
10	27-1200	Spacer	G27-1200	4.85
11	328-9	Capscrew	G328-9	2.60
12	32153-6	Locknut	G32153-6	1.05
13	27-1190	Wheel, Castor	G27-1190	25.30
14	27-1010	Castor Fork (Fits GM 52) 7 1/4" Shaft	G27-1010	34.75
14	40-0370	Caster Fork (Fits GM 52 & 62), 6 1/8" Shaft	G40-0370	32.95

Continues Next Page >>>>>

**GROUNDMASTER**  
52, 62, 117, 217-D, & 220

Key No	OEM Part No	Description	Our Part No	Price £
15	44-8990	Belt, Torque Team (Fits GM 62)	G44-8990	25.75
15	41-915027-4630	Belt, Torque Team (Fits GM 52)	G41-9150	25.75
16	52-458027-1080	Idler Pulley	G52-4580	11.95
17	256-150	Bushing, Castor (Fits GM 52)	G256-150	4.15
17	28-9290	Bushing, Castor (Fits GM 62)	G28-9290	3.25
18	27-1170	Washer, Thrust	G27-1170	0.95
19	27-1180	Washer, Bearing Retainer	G27-1180	0.95
20	27-8580	Idler Socket	G27-8580	29.95
21	26-1580	Spacer, 1/2" HOC"	G63-0070	1.25
22	3253-7	Lockwasher	G3253-7	0.11
23	3213-8	Bolt, Blade (Fits GM 52)	G3213-8	1.10
23	44-2200	Bolt, Blade (Fits GM62)	G44-2200	1.45
24	27-0970	Splined Pulley, 52" Deck	G27-0970	28.45
24	44-6340	Splined Pulley, 62" Deck	G44-6340	19.25
25	27-0920	Spindle, Blade	G27-0920	39.95

Please call us to order your specialist filter catalogue today

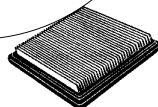
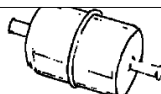
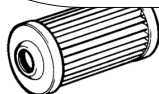


The MOTORGUARD range of filters are designed specifically for the golf and turf industry and built to provide top performance under the toughest of conditions.

Their high strength spin on filters feature innovative design advantages built to handle the extra pressure of today's sophisticated hydraulic systems.

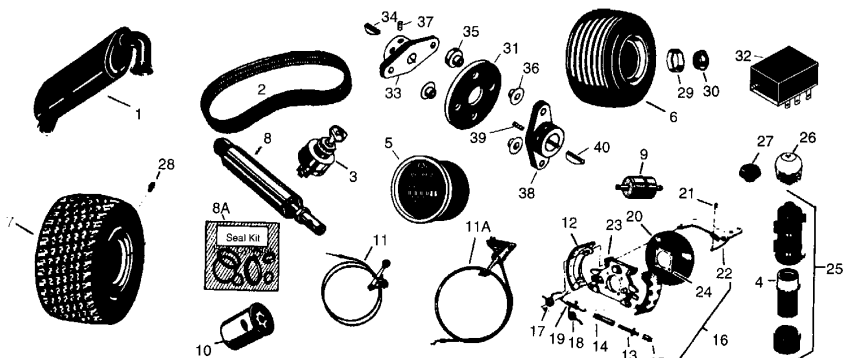
Check out the advantages for your maintenance programme

TODAY.



## GROUNDMASTER

52, 62, 117, 217-D, & 220



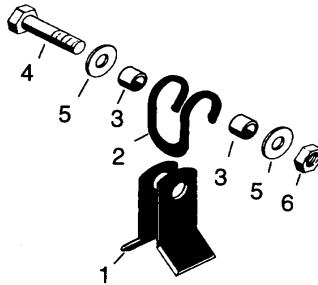
Key No	OEM Part No	Description	Our Part No	Price £
1	23-1580	Muffler	G23-1580	66.95
2	23-1820/53-9660	V Belt Torque Team	G150500	25.46
3	27-2360	Ignition Switch (6 Lead)	G27-2360	12.95
4	27-7110	Element, Air Filter	G27-7110	15.25
5	12-9990	Hour Meter, Quartz	G12-9990	35.95
6	231-105	Tyre, 16 x 6.50 x 8, 4 Ply Goodyear	G700190	42.75
7	217-117	"Wheel, heavy duty 12""	G217-117	49.95
7	231-101	Tyre, 23-8.50 x 12, 4 Ply Goodyear	G700180	69.75
8	21-0390	Hydraulic Cylinder	G21-0390	173.95
8A	-	Seal Kit (fits G21-0390 Cylinder)	G21-0390SK	19.95
9	18-1520	Fuel Filter	G18-1520	3.95
10	23-2300	Oil Filter, Transmission	G23-2300	7.10
10	42-9030	Oil Filter, Diesel	G42-9030	9.40
11	43-3990	Throttle Control, Diesel Engine	G43-3990	12.95
11A	28-1590	Throttle Control, Petrol Engine	G28-1590	11.95
11A	28-1600	Choke Control, Petrol Engine	G28-1600	12.15
12	43-2690	Shoe, Brake	G43-2690	15.70
13	21-9370	Adjuster Screw	G21-9370	6.45
14	21-9380	Pivot Nut	G21-9380	6.95
15	21-9390	Socket Brake Adjuster	G21-9390	4.95
16	-	Brake Assembly	G150315	105.45
17	21-9420	LH Return Spring, Brake	G21-9420	3.89
18	21-9430	RH Return Spring, Brake	G21-9430	3.89
19	21-9440	Adjuster Screw Spring, Brake	G21-9440	2.95
20	21-9450	Dust Shield	G21-9450	13.95
21	21-9460	Retainer, Brake	G21-9460	1.49
22	24-9180	Lever, Parking Brake	G24-9180	24.45
23	43-6810	Torque Spider, Brake	G43-6810	39.65
24	28-0670	Oil Seal	G28-0670	4.95

Continues Next Page >>>>>

**GROUNDMASTER**  
52, 62, 117, 217-D, & 220

Key No	OEM Part No	Description	Our Part No	Price £
25	27-7100	Air Cleaner Assembly	G27-7100	79.95
26	-	Pre Cleaner Assembly	G27-7100P	32.95
27	27-7180	Rain Cap, Air Cleaner	G27-7180	15.25
28	232-27	Valve Stem, fits G217-117 Wheel	G232-27	1.95
29	254-72	Cup, Steering Axle	G254-72	2.27
30	254-94	Bearing, Steering Axle	G254-94	4.80
31	44-2230	Rubber Coupling, fits Hydrostatic Transmission	G44-2230	14.95
32	26-6740	Relay Switch	G26-6740	40.95
33	33-4380	Coupling Hub, Pump	G33-4380	17.40
34	3257-32	Woodruff Key, Pump Coupling	G3257-32	0.69
35	71-4410	Spacer, Coupling	G71-4410	3.25
36	71-4411	Spacer, Coupling	G71-4411	2.95
37	3241-5	Set Screw, Pump Coupling	G3241-5	0.60
38	27-1960	Coupling Hub, Engine	G27-1960	17.90
39	3245-1	Set Screw, Engine Coupling	G3245-1	0.60
40	3257-33	Woodruff Key, Engine Coupling	G3257-33	0.85

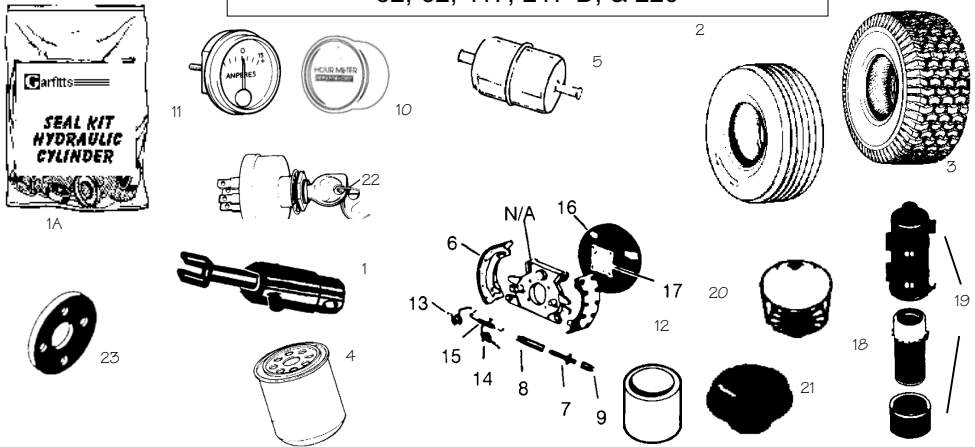
**60" FLAIL MOWER**



Key No	OEM Part No	Description	Our Part No	Price £
1	92-4285	Flail blade	G337599	0.75
2	92-4286	Hanger	G362226	1.89
3	92-4284	Spacer	G362227	0.71
4	322-10	Bolt, hex head	G400234	0.38
5	3556-3	Flat washer, 5/16"	G3256-23	0.09
6	01-189-0518	Locknut, 5/16 - 24	G444754	0.20

**TEL: (0114) 251 3344      FAX: (0114) 251 3000**

## GROUNDMASTER 52, 62, 117, 217-D, & 220



Key No	OEM Part No	Description	Our Part No	Price £
1	83-700027-2510 43-5260	Cylinder, Hydraulic	G83-7000	131.20
1A	-	Seal Kit, Fits G83-7000 Cylinder	G83-7000SK	21.95
2	231-104	Tyre, Steering 15-6.00 x 6, 2 Ply Goodyear	G700182	30.95
3	231-103	Tyre 20-8.00 x 10, 4 Ply Goodyear SoftTrac	G700183	57.25
3	-	Tube, 20-8.00 x 10	G700184	15.95
4	23-2300	Hydraulic Oil Filter	G23-2300	7.10
5	18-1520	Fuel Filter	G18-1520	3.95
6	43-2690	Shoe, Brake	G43-2690	14.95
7	21-9370	Adjuster Screw	G21-9370	6.45
8	21-9380	Pivot Nut	G21-9380	6.95
9	21-9390	Socket	G21-9390	4.95
10	12-9990	Hour Meter	G12-9990	35.54
11	33-0990	Ammeter	G33-0990	6.95
12	3-0348	Bushing	G3-0348	2.84
13	21-9420	Return Spring, Brake LH	G21-9420	3.89
14	21-9430	Return Spring, Brake Rh	G21-9430	3.89
15	21-9440	Adjuster Screw Spring, Brake	G21-9440	2.95
16	21-9450	Dust Shield, Brake	G21-9450	13.95
17	28-0670	Oil Seal	G28-0670	4.95
18	27-7110	Element, Air Filter Assembly	G27-7110	15.25
19	27-7100	Air Cleaner Assembly	G27-7100	79.95
20	-	Pre Cleaner Assembly	G27-7100P	32.95
21	27-7180	Rain Cap, Air Cleaner	G27-7180	15.25
22	23-0660	Ignition Switch (5 Lead)	G23-0660	11.50
22	27-2360	Ignition Switch (6 Lead)	G27-2360	12.95
23	44-2230	Rubber Coupling, Fits Hydrostatic Transmission	G44-2230	14.95