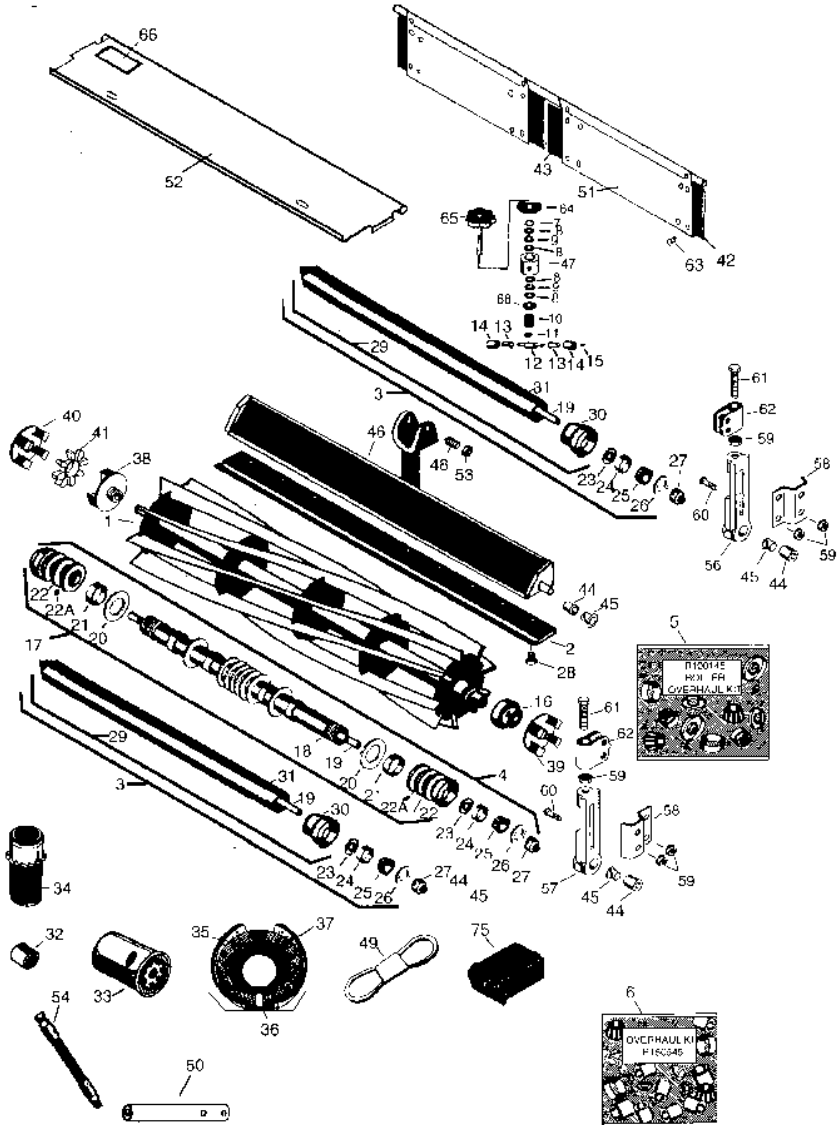


REELMASTER 2300D & 2600D
SIDEWINDER 3100D



Continues Next Page >>>>>

**REELMASTER 2300D & 2600D
SIDEWINDER 3100D**

Key No	OEM Part No	Description	Our Part No	Price £
Cylinders Available				
1	93-8833	Use G94-3630		
1	94-3630	Cylinder, 8 Blade, Fits 2300D/3100D Only (27" unit)	G94-3630	164.25
1	93-8839	Use G94-3631		
1	94-3631	Cylinder, 5 Blade, Fits 2300D/3100D Only (27" unit)	G94-3631	143.50
1	94-5054	Cylinder, 6 Blade, Fits 2600D Only (32" unit)	G94-5054	194.95
1	94-5055	Cylinder, 5 Blade, Fits 2600D Only (32" unit)	G94-5055	179.95
Bed Knives Available				
2	62-5180	Bed Knife, Fits 2300D/3100D Only	G62-5180	23.65
2	94-5079	Bed Knife, Fits 2600D Only	G94-5079	31.40
Rollers Available				
3	61-0410	Solid Roller, Fits 2300D/3100D Only. 2-1/2" Dia., 14 lbs.	G61-0410	134.95
3	-	UHMW Plastic Solid Roller, Fits 2300D/3100D Only. 2-1/2" Dia., 10 lbs.	G150377	130.95
3	94-4982	Solid Roller, Fits 2600D Only. 2-1/2" Dia., 16 lbs.	G94-4982	121.95
4	63-5160	Repairable Grooved Roller, Fits 2300D/3100D Only. 2-3/4" Dia., 21 lbs.	G63-5160	186.25
4	-	UHMW Plastic Grooved Roller, Fits 2300D/3100D Only. 2-1/2" Dia., 9 lbs.	G150378	151.25
4	94-4993	Repairable Grooved Roller, Fits 2600D Only. 2-3/4" Dia., 24 lbs.	G94-4993	159.95
Overhaul Kits Available				
5	-	Roller Overhaul Kit	G100145	35.95
		Incl: Bearings, Seals & nuts to rebuild one Roller.		
		2 ea.: G253-152, G254-79, G254-78, G253-146, G71-3590, G302-5		
6	-	Cutting Unit Overhaul Kit	G150545	58.12
		Incl: Bearing, Seals & Bushings to rebuild one cutting unit.		
		1 ea.: G253-84; 2 ea.: G71-1360, G257-6, G52-2890, G62-5510		
		6 ea.: G56-9510, G56-9520		
Other Parts Available				
7	253-84	Seal, Adj. Handle	G253-84	2.25
8	257-5	Thrust Washer, Adj. Handle	G257-5	1.16
9	257-6	Thrust Bearing, Adj. Handle	G257-6	1.55
10	57-5270	Spring, Adj. Handle	G57-5270	4.15
11	3296-62	Jam Lock Nut, 1/2-20 LH	G3296-62	0.76

E MAIL
sales@garfitts.com

Continues Next Page >>>>>

**REELMASTER 2300D & 2600D
SIDEWINDER 3100D**

Key No	O.E.M Part No	Description	Our Part No	Price £
12	57-5260	Pivot 1/2-20 L.H., Bed Bar	G57-5260	8.66
13	52-2890	Nylon Flanged Bushing	G52-2890	0.78
14	62-5510	Rubber Bushing, Adj. Handle	G62-5510	5.38
15	302-18	Grease Zerk, Press Style	G302-18	0.80
16	88-7880	Use G71-1360	G88-7880	
16	71-1360	Sealed Bearing, Reel	G71-1360	15.55
16	100-4926	Sealed Bearing, Reel, Self Aligning	G100-4926	15.05
18	-	Tube Only, Grooved Roller, Fits 2300D/3100D Only	G150681	28.95
18	-	Tube Only, Grooved Rdler, Fits 2600D Only	G150686	29.95
19	61-0400	Shaft, Roller, 27" Units	G61-0400	22.95
19	944983	Shaft, Roller, 32" Units	G94 4983	23.25
20	-	Washer, 2 3/4R	G150672	0.60
21	-	13/16" Spacer, Rep. Grooved Roller	G150671	0.62
21	-	1 1/4"H.D.Spacer, Rep. Grooved Roller	G150676	1.40
22	-	Endcap, Repairable Grooved Roller	G150689	41.95
22A	-	Nyloc Set Screw, 3/8R -16 x 3/8"	G150691	0.55
23	253-116	Use G253-152	G253-116	
23	253-152	Inner Seal, Roller	G253-152	2.42
24	254-79	Cup, Timken	G254-79	2.85
25	254-78	Cone, Timken	G254-78	4.15
26	253-153	Outer Seal, Roller	G253-146	2.52
27	61-0370	Use G71-3590	G61-0370	
27	71-3590	Adjusting Nut, Roller	G71-3590	6.15
28	3-6462	Screw, Stainless	G150475	0.42
28	57-4910	Screw, Plated	G150476	0.21
30	61-0380	Endcap, Solid Roller	G61-0380	22.45
32	3-0348	Bushing	G3-0348	2.84
38	93-8825	Coupling, R.H. Reel	G93-8825	41.95
39	93-8826	Coupling, L.H. Reel	G93-8826	41.95
40	93-8823	Coupling, Motor End	G93-8823	41.95
41	93-8827	Spider, Reel Coupling	G93-8827	13.05
42	61-3280	Rubber Side Cover	G61-3280	2.05
43	61-3290	Rubber Center Cover	G61-3290	2.30
44	56-9510	Rubber Bushing, Bed Bar & Roller	G56-9510	3.57
45	56-9520	Bushing, Nyliner, Bed Bar & Roller	G56-9520	1.02
46	61-1210	Backing Bar, Bedknife, 27" Units	G61-1210	114.95
46	94-4980	"Backing Bar, Bedknife, 32" Units"	G94 4980	124.95
47	52-2980	Pivot, Single Point Adjustment	G52-2980	29.95
48	57-5190	Adjusting Screw	G57-5190	1.30
50	92-1815	Pivot Shaft, Front Cutting Unit Frames, 27" Units	G92-1815	14.75
51	61-1130	Use G93-8849	G61-1130	
51	93-8849	Rear Grass Shield, 27" Units	G93-8849	36.70

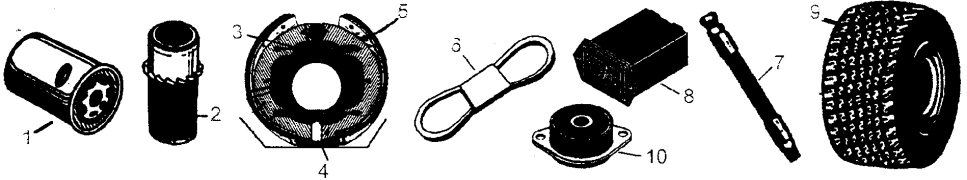
TEL: (0114) 251 3344
FAX: (0114) 251 3000
Continues Next Page >>>>>

**REELMASTER 2300D & 2600D
SIDEWINDER 3100D**

key No	O.E.M Part No	Description	Our Part No	Price £
51	94-4969	Rear Grass Shield, 32" Units	G94-4969	39.95
52	94-3621	Top Shield, Incl #66, 27" Units	G94-3621	29.95
52	94-5053	Top Shield, Incl #66, 32" Units	G94-5053	33.95
53	3218-18	Nut, 1/2-13 Jam	G443818	0.21
56	61-0430	Rear Roller Bracket, Long	G61-0430	19.95
56	14-4479	Rear Roller Bracket and Bushing Assy	G14-4479	22.95
57	61-0440	Front Roller Bracket, Short	G61-0440	19.95
57	14-4489	Front Roller Bracket and Bushing Assy	G144489	22.95
58	61-0910	Bracket	G61-0910	3.75
59	3296-39	Flanged Locknut	G3296-39	0.61
60	3231-25	Carriage Bolt, 3/8-16 x 1-1/4	G3231-25	0.42
61	61-0790	Bolt, Roller Adjustment	G61-0790	2.31
61	323-57	Use G61-0790	G323-57	
62	61-0420	Support, HOC	G61-0420	6.75
63	3295-48	Rivet	G329548	0.16
63	700382	Rivet	G700382	0.19
64	52-3000	SpringArm, Adj. Handle	G52-3000	6.05
65	61-1070	Adjusting Handle, Bed Bar	G61-1070	28.95
66	93-8064	Warning Decal, Shield	G93-8064	1.59
67	353-949	O-Ring, Motor End	G353-949	0.88
68	29-8870	Washer, Adj. Handle	G29-8870	0.26
69	3256-25	Flat Washer	G187-0	0.12
70	52-2990	Spedal Bolt, Spring Retainer	G52-2990	3.95
71	93-6855	Housing, Bed Bar	G93-6855	14.75
71	16-9769	Housing Assy, Bed Bar, Incl #44	G16-9769	16.75
72	61-1010	Housing, Bed Bar	G61-1010	11.95
72	14-4459	Housing Assy, Bed Bar, Incl #44	G14-4459	13.95
73	3296-4	Locknut, 5/16-24	G444754	0.16
74	3219-2	Nex Nut, 5/16-24	G3219-2	0.24
77	323-6	Bolt, Hx Hd 3/8-16 x 1" GR5	G323-6	0.46
78	29-8910	Washer	G453017	0.12
79	95-8752	Spring Amm	G95-8752	5.25
80	93-2959	Spacer, Bed BarAdjusting	G93-2959	1.45
81	95-8877	Adjusting Handle, Bed Bar	G95-8877	16.45
82	93-2892	Pivot, Bed BarAdjuster	G93-2892	1.75
83	95-8739	Bed Bar, 27" Units	G95-8739	121.95
83	95-8748	Bed Bar, 31" Units	G95-8748	131.95
84	61-1950	Nylon Washer, Bed Bar	G61-1950	0.25
85	62-7120	Washer	G62-7120	0.49
86	3256-56	Washer	G3256-56	0.26
87	3253-4	Lockwasher, 5/16"	G3253-4	0.10
88	322-3	Bolt, Hx Hd 5/16-18 x 3/4"	G322-3	0.48
89	3296-29	Locknut, 5/16-18 E8na	G3296-29	0.30
90	3230-1	Carriage Bolt, 5/16-18 x 3/4	G3230-1	0.38
90	3230-20	Use G3230-1	G3230-20	

E MAIL
sales@garfitts.com

REELMASTER 2300D, 2600D, SIDEWINDER 3100D



Key No	O.E.M Part No	Description	Our Part No	Price £
1	54-0110	Oil FiHer, Hyd.	G23-9740	10.75
1	130366040	Fuel Filter, Diesel, 2300D & 2600D	G9067	4.95
1	140516190	Oil FiHer, Diesel, 2300D & 2600D	G9069	7.05
1	99-8384	Oil Filter, Engine, Fits 3100D Only	G42-9030	9.40
2	93-2195	Element, Air Cleaner	G93-2195	14.95
3	70-9880	Spring, Brake	G70-9880	2.75
4	71-1500	Brake Assy.	G71-1500	60.95
5	70-9840	Brake Shoe	G70-9840	16.95
6	92-3187	Belt, Jackshaft, set of 3, Diesel Engine	G92-3187	32.65
6	83-9020	Belt, Radiator, Diesel Engine, Fits 2300D Only	G83-9020	18.69
6	92-3186	Belt, Hydraulk Pump, Diesel Engine, 2300D & 2600D	G92-3186	20.41
6	93-6840	Belt, Pump, 2300D & 2600D	G93-840	15.25
6	95-8730	Belt, Hydrostat, Fits 3100D Only	G150512	19.95
6	99-3467	Fan Belt, Engine, Fits 3100D Only	G1624197010	17.95
7	93-6787	Hydraulic Hose Assy, Fits 2300D Only	G93-6787	27.75
7	93-6786	Hydraulic Hose Assy, Fits 2300D Only	G93-6786	36.45
7	93-6788	Hydraulic Hose Assy, Fits 2300D Only	G93-6788	32.95
7	93-6790	Hydraulic Hose Assy, Fits 2300D Only	G93-6790	38.65
7	93-6789	Hydraulic Hose Assy, Fits 2300D Only	G93-6789	28.75
7	93-6797	Hydraulic Hose Assy, Fits 2300D Only	G93-6797	38.25
7	93-6798	Hydraulic Hose Assy, Fits 2300D Only	G93-6798	25.75
7	93-6799	Hydraulic Hose Assy, Fits 2300D Only	G93-6799	17.95
7	93-6800	Hydraulic Hose Assy, Fits 2300D Only	G93-800	39.15
7	93-6806	Hydraulic Hose Assy, Fits 2300D Only	G93-806	6.15
7	93-6807	Hydraulic Hose Assy, Fits 2300D Only	G93-6807	27.95
7	93-6828	Hydraulic Hose Assy, Fits 2300D Only	G93-6828	47.25
7	93-6829	Hydraulic Hose Assy, Fits 2300D Only	G93-6829	47.65
7	93-6857	Hydraulic Hose Assy, Fits 2300D Only	G93-6857	13.45
7	93-6887	Hydraulic Hose Assy, Fits 2300D Only	G93-6887	22.85
7	93-6889	Hydraulic Hose Assy, Fits 2300D Only	G93-6889	24.65
7	93-6890	Hydraulic Hose Assy, Fits 2300D Only	G93-6890	24.45
7	93-6935	Hydraulic Hose Assy, Fits 2300D Only	G93-6935	33.95
8	75-6820	Hour Meter	G75-6820	32.85
9	95-8656	Tire 20x10-104 Ply Turf	G700167	61.75
9	93-6879	Use G700167	G93-879	61.75
9	93-6880	Use G700167	G93-880	61.75
9	94-5028	Use G700167	G94-5028	61.75
10	83-1030	Motor Mount	G83-1030	17.35