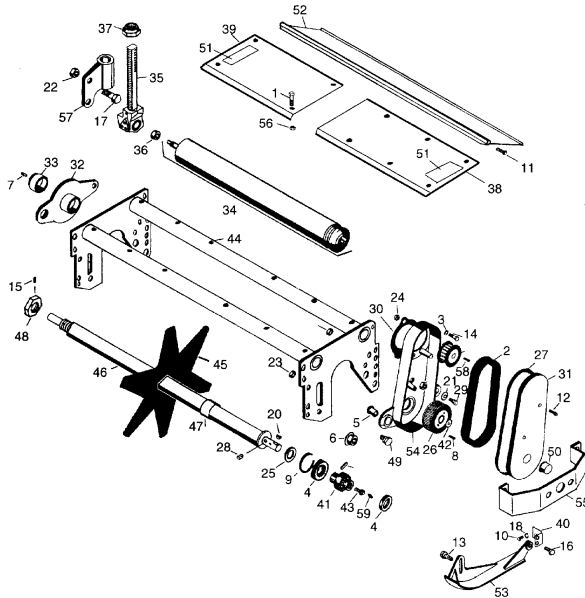


## REELMASTER 335D, 450D & 4500D VERTICUT UNITS



Key No	OEM Part No	Description	Our Part No	Price £
1	11-9760	Screw, hex washer head	G11-9760	0.70
2	47-7160	Belt	G150520	14.95
3	3256-25	Flat washer	G187-0	0.12
4	253-145	Cylinder seal	G253-145	3.94
5	256-113	Bushing, Flange	G256-113	3.10
6	256-252	Flanged bushing	G256-252	2.95
7	302-40	Grease fitting, 90°	G302-40	1.58
8	32121-50	Roll pin, 1/8 X 3/4	G32121-50	0.74
9	32151-71	Snapping, cylinder	G32151-71	1.50
10	322-2	Bolt, hex head 5/16 - 18 X 5/8	G400184	0.30
11	3234-12	Bolt, hex serrated washer head	G3234-12	0.70
12	3234-14	Bolt, hex serrated washer head	G3234-14	0.55
13	3234-27	Screw, skid 1/2 - 13 X 2 hex	G3234-27	2.95
14	324-6	Bolt, hex head	G324-6	0.59
15	3246-17	Set screw	G3246-17	0.16
16	325-5	Carriage bolt	G325-5	0.58
17	325-7	Bolt, hex head	G325-7	0.55
18	3253-4	Lockwasher, 5/16"	G3253-4	0.10
19	3254-4	Lockwasher, internal star	G3254-4	0.20
20	3257-3	Woodruff key	G3257-3	0.40

Continues Next Page >>>>

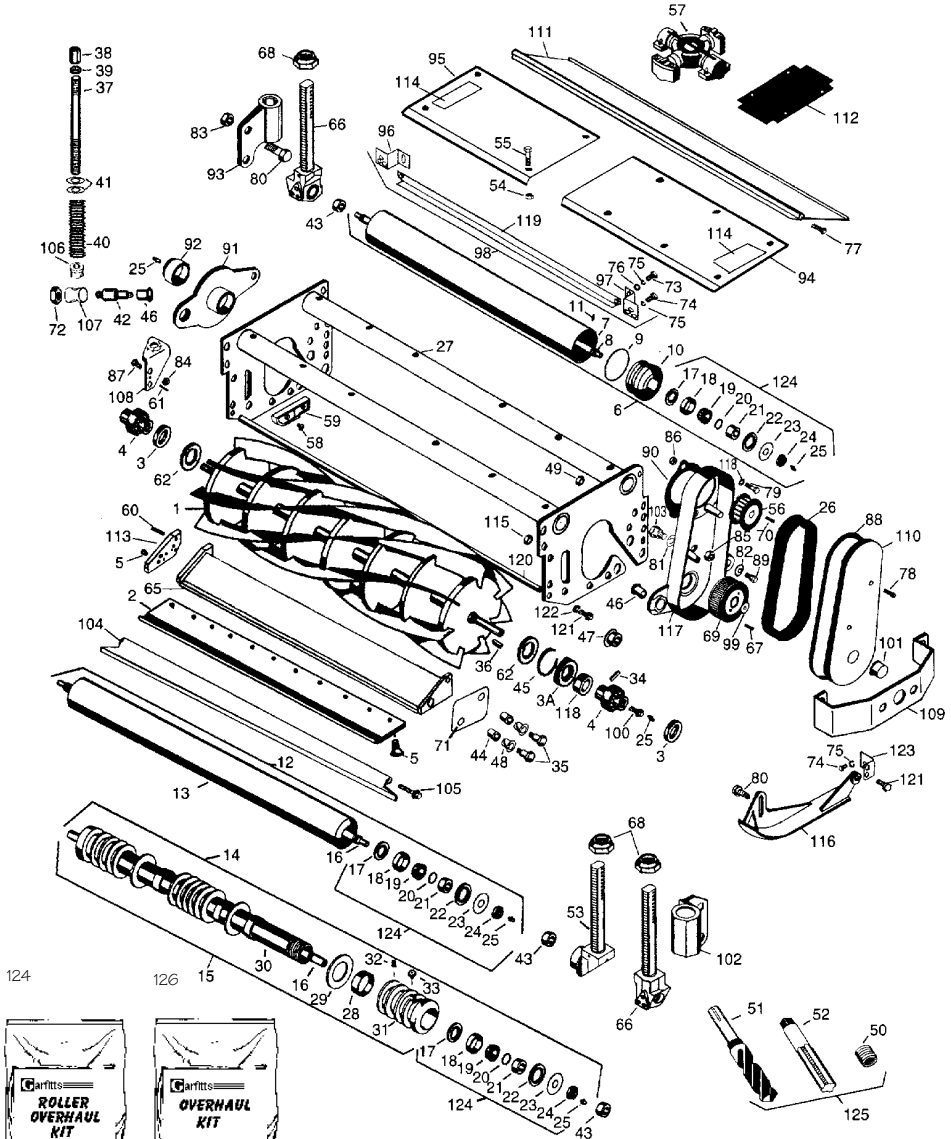
**REELMASTER 335D, 450D & 4500D  
VERTICUT UNIT**

Key No	OEM Part No	Description	Our Part No	Price £
21	3290-440	Washer, Belleville	G3290-440	2.49
22	3296-25	Locknut 1/2 -13 Esna Heavy	G3296-25	1.25
23	3296-28	Jam nut, 1/2-20 Esna	G3296-28	0.74
24	3296-48	Locknut Esna, 7/16"	G3296-48	0.30
25	38-7330	Grass shield	G38-7330	3.15
26	47-7140	Driven pulley, timing belt	G47-7140	83.95
27	47-7170	Gasket cover	G47-7170	7.30
28	48-8880	Pin cylinder bearing	G48-8880	0.74
29	48-9020	Bolt, 1/2 - 20	G48-9020	4.46
30	48-9050	Plate, drive	G48-9050	14.75
31	48-9071	Cover, drive RH	G48-9071	14.75
31	48-9081	Cover, drive LH (shown)	G48-9081	14.75
32	59-5550	Housing, bearing	G59-5550	42.95
33	59-5560	Dust cap	G59-5560	8.45
34	59-5630	Rear roller assembly	G59-5630	169.95
35	84-6100 59-5700	Rear roller bracket	G84-6100	37.75
36	59-5780	Bushing, roller bracket	G59-5780	3.85
37	59-5820	Cone nut, roller adjustment	G59-5820	5.75
38	59-5830	Inner cover, grass shield	G59-5830	8.36
39	59-5840	Outer cover, grass shield	G59-5840	11.95
40	59-6000	Bracket RH skid	G59-6000	3.95
40	59-6010	Bracket LH skid (shown)	G59-6010	3.95
41	59-6140	Cylinder bearing	G59-6140	29.87
42	59-6150	Washer, cylinder pulley	G59-6150	2.30
43	59-6190	Bolt, cylinder, includes G302-5	G59-6190	5.25
44	59-6250	Frame, verti-cut	G59-6250	134.95
45	59-6280	Thatcher blade 7GA (3/16")	G59-6280	10.95
46	59-6290	V-Cut Shaft	G59-6290	159.95
47	59-6320	Spacer, 2 1/4"	G59-6320	4.45
48	59-6330	Nut, V-Cut shaft	G59-6330	9.75
49	59-6340	Bolt, shoulder	G59-6340	6.95
50	59-7490	Cap plug	G59-7490	0.75
51	59-7790	Decal	G59-7790	2.95
52	75-7680 51-1600 52-9660	Deflector	G75-7680	25.75
53	59-5980 84-0820	Skid, RH	G84-0820	39.95
53	59-5980 84-0810	Skid, LH (shown)	G84-0810	39.95
54	62-6470	Housing, RH	G62-6470	198.95
54	62-6480	Housing, LH	G62-6480	198.95
55	72-0470	Guard	G72-0470	14.25
56	3296-42	Locknut, Esna 1/4 - 20	G301504	0.22
57	59-5770	Rear roller bracket	G59-5770	18.75
58	47-2380	Key	G47-2380	0.95
59	302-5	Grease nipple	G302-5	0.52

**TEL: (0114) 251 3344**

**FAX: (0114) 251 3000**

REELMASTER 335D, 450D & 4500D



Continues Next Page >>>>>

TEL: (0114) 251 3344  
 FAX: (0114) 251 3000

**REELMASTER 335D, 450D & 4500D**

Key No	OEM Part No	Description	Our Part No	Price £
1	12-4459 13-8229 14-7419	Cylinder Assembly, 5 Blade	G13-8229	128.45
1	12-4469 13-8219	Cylinder Assembly, 7 Blade	G13-8219	144.50
1	14-0919	Cylinder Assembly, 11 Blade	G14-0919	167.20
2	59-5890	Bed Knife	G59-5890	20.95
2	72-0480	Bed knife, high cut	G72-0480	21.95
2	76-3620	Bed knife, use with 11 bladed cylinder	G76-3620	20.95
3	253-145	Seal, Cylinder	G253-145	3.94
3A	253-145	Seal, Cylinder	G253-145	3.94
3A	92-9250	Seal, Cylinder	G92-9250	4.25
4	59-6140	Bearing, Cylinder	G59-6140	29.87
5	57-4910	Screw, Bed Knife	G150476	0.21
6	59-5630	Rear Roller Assembly	G59-5630	169.95
7	59-5640	Tube with End Caps, Rear Roller	G59-5640	96.95
7	-	Tube Only, Rear Roller	G150506	34.95
8	59-5670	Shaft, Rear Roller	G59-5670	23.95
9	-	O-Ring, Roller End	G150501	1.25
10	-	Roller End, Rear Roller	G150502	36.95
11	-	Drive Pin, Rear Roller	G150503	0.36
12	62-6200	Front Solid Roller Assembly, 34" body length	G62-6200	225.05
12	84-6180	Front Solid Roller Assembly, 33" body length	G84-6180	181.95
13	62-6190	Tube Only, Solid Front Roller, 34" body length	G62-6190	127.95
13	84-6170	Tube Only, Solid Front Roller, 33" body length	G84-6170	129.95
14	62-6130	Front Repairable Grooved Roller Assembly W/ 34" Body length & 35" shaft	G62-6130R	179.95
14	84-6080	Front Repairable Grooved Roller Assembly W/ 33" Body length & 36" shaft	G150715	195.95
15	62-6030	34" Tube Assembly, Repairable Grooved Front Roller	G62-6030R	172.95
15	-	33" Tube Assembly, Repairable Grooved Front Roller	G150716	117.95
16	62-6040	35" Shaft, Front Roller ( use w/ 34" rollers)	G62-6040	24.95
16	84-6070	36" Shaft, Roller ( use w/ 33" rollers)	G84-6070	24.95
17	253-122	Seal, Inner	G253-122	2.38
18	254-79	Bearing Cup	G254-79	2.85
19	254-78	Bearing Cone	G254-78	4.15
20	237-54	O-Ring, Small	G237-54	0.30
21	59-5690	Wear Sleeve	G59-5690	6.95
22	253-117	Seal, Outer	G253-117	3.34
23	-	Washer	G150504	1.10
24	3296-15	Locknut, 3/4-16	G3296-15	1.31
25	302-5	Grease Nipple	G302-5	0.52
26	47-7160	Belt, Cutting Unit	G150520	14.95
27	14-0829	Frame, cutting unit incl. 4 X G62-6110	G14-0829	149.95
28	-	13/16" Spacer	G150671	0.62
28	-	1 1/4" H D Spacer	G150676	1.40
29	-	Washer, 2 3/4"	G150672	0.60

Continues Next Page >>>>>

**REELMASTER 335D, 450D & 4500D**

Key No	OEM Part No	Description	Our Part No	Price £
30	-	Threaded Tube, Fits G62-6130R	G150686	28.95
30	-	Threaded Tube, Fits G150715 only	G150717	28.95
31	-	Threaded Roller end , Fits G62-6130R	G150687	51.95
31	-	Threaded Roller end , Fits G150715	G150718	41.95
32	-	Nyloc Set Screw, 3/8"-16 x 3/8"	G150691	0.55
33	-	Pressure Relief Fitting	G170714	4.19
34	48-8880	Pin, Cylinder Bearing	G48-8880	0.74
35	66-5570 84-6090	Shoulder Bolt, Bed Bar	G66-5570	3.41
36	75-7570	Square Key, Cylinder	G75-7570	1.60
37	72-0390	Rod, bed knife adjuster	G72-0390	11.95
38	72-0380	Hex, bed knife adjuster	G72-0380	3.28
39	3218-5	Jam nut, bed knife adjuster	G443818	0.21
40	72-0400	Spring, bed knife adjuster	G72-0400	4.95
41	257-5	Thrust Washer, Adjuster Handle	G257-5	1.16
42	72-0440	Pivot pin, bed knife adjuster	G72-0440	11.72
43	59-5780	Bushing, roller bracket	G59-5780	3.85
44	62-6110	Bushing, Bed Bar	G62-6110	4.10
45	32151-71	Snap Ring, Cylinder	G32151-71	1.50
46	72-0430	Flanged bushing, adj. pin	G72-0430	2.22
46	92-9252	Bushing, flange	G92-9252	3.15
47	256-252	Flanged Bushing	G256-252	2.95
48	256-292	Nyliner Bushing, Bed Bar	G256-292	0.90
49	242-50	Cone nut	G242-50	4.95
50	-	Insert, 1/2-20	G150531	3.85
51	-	Drill, 21/32	G150532	27.75
52	-	Tap, 3/4-10	G150533	38.45
53	62-6010	Front Roller Bracket Including G59-5780 Use with 34 1/4" Roller	G62-6010	44.95
54	3296-42	Locknut, Esna 1/4 - 20 X 2	G301504	0.22
55	3234-34 321-11	Bolt, hex washer head, 1/4 - 20 X 2	G3234-34	0.45
56	47-7150	Drive pulley, cutting units	G47-7150	79.60
57	59-5910	Cross & Bearing, cutting units	G59-5910	75.30
58	32108-101	Machine screw, countersunk	G301503	0.17
59	77-4810 62-6070	Block, deflector	G77-4810	4.95
60	32121-11	Roll pin	G32121-11	0.20
61	32121-2	Roll pin	G32121-2	0.12
62	38-7330	Grass shield, cylinder	G38-7330	3.15
65	59-5470	Backing bar, 5 & 7 blade cylinder	G59-5470	111.95
65	77-4340	Backing bar, 11 blade cylinder	G77-4340	134.95
66	84-6100 59-5700	Roller bracket, includes G32151-71 Use with 33 1/4" roller only	G84-6100	35.95
67	32121-50	Roll pin 1/8 X 3/4	G32121-50	0.69
68	59-5820	Cone nut, roller adjustment	G59-5820	5.75
69	47-7140	Driven pulley, timing belt	G47-7140	87.30
70	47-2380	Key	G47-2380	0.95

Continues Next Page &gt;&gt;&gt;&gt;&gt;

**REELMASTER 335D, 450D & 4500D**

Key No	OEM Part No	Description	Our Part No	Price £
71	76-3580	Shim spacer, bed bar	G76-3580	0.90
72	32128-15	Flanged locknut, 1/2 X 20	G32128-15	2.57
73	322-3	Bolt, hex hd. 5/16 - 18 X 3/4	G322-3	0.48
74	322-2	Bolt, hex hd. 5/16 - 18 X 5/8	G400184	0.30
75	3253-4	Lockwasher, 5/16"	G3253-4	0.10
76	3256-2	Flatwasher, 5/16"	G3256-2	0.10
77	3234-12	Bolt, hex serrated washer head	G3234-12	0.70
78	3234-14	Bolt, hex serrated washer head	G3234-14	0.55
79	324-6	Bolt, hex head	G324-6	0.59
80	325-7	Bolt, hex head	G325-7	0.55
81	3256-39	Flatwasher	G3256-39	0.25
82	3290-440	Washer, Belleville	G3290-440	2.49
83	3296-25	Locknut, 1/2 - 13 Ensa Heavy	G3296-25	1.25
84	3296-26	Nut, 3/8 - 16 Ensa Heavy	G3296-26	1.45
85	3296-28	Jam nut, 1/2 - 20 Ensa	G3296-28	0.74
86	3296-48	Locknut, Ensa 7/16"	G3296-48	0.30
87	323-7	Bolt, 3/8 - 16 X 1 1/4"	G400264	0.22
88	47-7170	Gasket cover	G47-7170	6.95
89	48-9020	Bolt, 1/2 - 20	G48-9020	4.25
90	48-9050	Drive plate	G48-9050	7.30
91	59-5550	Bearing housing	G59-5550	42.95
92	59-5560	Dust cap	59-5560	8.45
93	59-5770	Rear roller bracket	G59-5770	19.95
94	59-5830	Inner Cover, grass shield	G59-5830	8.36
95	59-5840	Outer Cover, grass shield	G59-5840	11.95
96	59-6070	Scraper bracket, RH	G59-6070	3.45
97	59-6080	Scraper bracket, LH	G59-6080	3.45
98	59-6090	Scraper kit	G59-6090	32.75
99	59-6150	Washer, rear pulley	G59-6150	2.30
100	59-6190	Bolt, cylinder	G59-6190	5.25
101	59-7490	Caplug	G59-7490	0.75
102	62-5960	Roller bracket, LH (shown) use w G62-6130R & G62-200	G62-5960	16.65
102	62-5980	Roller bracket, RH use w G62-6130R & G62-200	G62-5980	16.65
102	84-6040	Roller bracket, RH use w G150715 & G84-6080	G84-6040	13.65
102	84-6050	Roller bracket, LH (shown) use w G150715 & G84-6080	G84-6050	13.65
103	62-6080	Bolt, shoulder	G62-6080	3.95
104	62-6220	Scraper kit, front solid roller	G62-6220	59.95
105	3234-11	Bolt, hex head 3/8 - 16 X 1	G3234-11	0.65
106	72-0410	Stand off	G72-0410	6.50
107	72-0420	Clamp, pivot pin	G72-0420	6.95
108	72-0450	RH Bracket, bed knife adjuster ( shown)	G72-0450	9.75
108	72-0460	LH Bracket, bed knife adjuster	G72-0460	9.75
109	72-0470	Guard	G72-0470	14.25

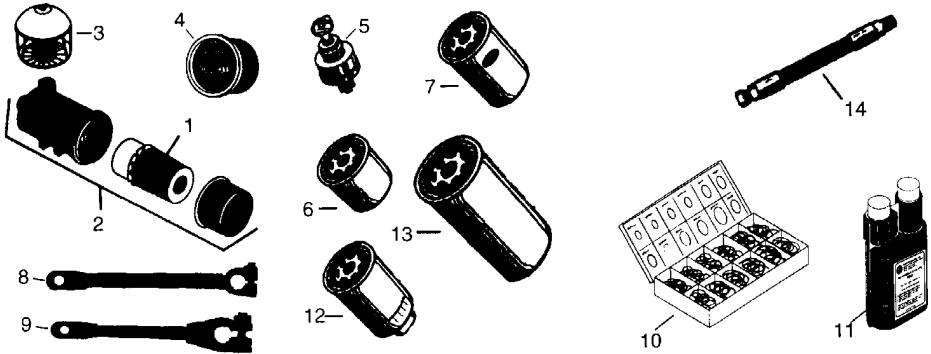
Continues Next Page >>>>>

**REELMASTER 335D, 450D & 4500D**

Key No	OEM Part No	Description	Our Part No	Price £
110	75-7580	Housing cover, RH	G75-7580	14.75
110	75-7590	Housing cover, LH ( shown)	G75-7590	14.75
111	51-1600 52-9660 75-7680	Deflector	G75-7680	25.75
112	75-8100	Cover, centre	G75-8100	2.45
113	76-3600	End plate, LH, 11 blade cyl bed bar	G76-3600	16.25
113	76-3610	End plate, RH, 11 blade cyl bed bar (shown)	G76-3610	16.25
114	76-8760	Decal	G78-8760	2.75
115	82-9390	Special nut, pivot pin	G82-9390	3.15
116	59-5980 84-0820	Skid, RH	G84-0820	29.95
116	59-5990 84-0810	Skid, LH (shown)	G84-0810	29.95
117	92-6098	Housing, RH	G92-6098	119.95
117	92-6099	Housing, LH (shown)	G92-6099	119.95
117	62-6470	Housing, RH	G62-6470	119.95
117	62-6480	Housing, RH	G62-6480	119.95
118	92-9251	Wear sleeve	G92-9251	6.45
118	3256-25	Flat washer	G187-0	0.12
119	-	Scraper bar only	G150521	24.95
120	93-7769	Support rod	G93-7769	12.15
121	325-4	Bolt, hex head	G325-4	0.58
122	3253-7	Lockwasher, 1/2"	G3253-7	0.10
123	59-6000	Bracket RH	G59-6000	3.95
123	59-6010	Bracket LH (shown)	G59-6010	3.95
124	-	Roller Overhaul kit	G100160	42.95
		includes: 2 X G253-122, 2 X G254-79, 2 X G254-78, 2 X G237-54, 2 X G59-5690, 2 X G253-117, 2 X G150504, 2 X G3296-15, 2 X G302-5		
125	-	Bed bar repair kit	G150530	119.95
		includes: 20 X G150531, 1 X G150533 & 1 X G150532		
126	-	Cutting Unit Overhaul Kit	G150540	99.65
		includes: 4 X G256-292, 4 X G62-6110, 4 X G59-5780, 3 X G253-145, 2 X G72-0430, 2 X G256-252, 2 X G48-8880, 2 X G59-6140, 1 X G32151-71 & 1 X G75-7570		

**TEL: (0114) 251 3344**  
**FAX: (0114) 251 3000**

**REELMASTER 335D, 450D & 4500D**



Key No	OEM Part No	Description	Our Part No	Price £
1	27-7110	Air filter element	G27-7110	15.25
2	48-4220	Air filter assembly w/ filter, fits 450D	G48-4220	98.95
3	48-7430	Pre cleaner assembly, fits 450D	G27-7100P	32.95
4	66-2950	Hour meter, fits 335D	G66-2950	33.95
4	12-9990	Hour meter, fits 450D	G12-9990	35.95
5	27-2360	Ignition switch, 6 lead	G27-2360	12.95
6	76-5220	Fuel filter, fits 335D	G76-5220	4.85
6	491056 74-7970	Oil filter, fits 335D	G74-7970	14.95
7	49-2500	Engine Oil filter, fits 450D	G49-2500	9.75
7	76-6490 86-3010	Hydraulic filter, fits 335D	G86-3010	11.45
8	58-3840	Battery cable positive, fits 450D	G58-3840	29.95
9	58-3850	Battery cable negative, fits 450D	G58-3850	23.75
10	-	O-Ring Seal Kit Contains 220 O-Rings	G150555	44.95
11	-	Hydraulic Oil Dye, Concentrate 16 fl. oz. Bottle	G525	50.35
12	60-5470	Fuel filter, fits 450D	G60-5470	22.15
13	69-1720 58-6610	Hydraulic filter fits 450D	G69-1720	39.00
<b>335D Hoses</b>				
1	76-8170	Hose Assembly, Cutting Unit	G76-8170	33.75
1	76-8210	Hose Assembly, Cutting Unit	G76-8210	14.25
1	76-8220	Hose Assembly, Cutting Unit	G76-8220	15.45
1	76-9560	Hose Assembly, Cutting Unit	G76-9560	16.75
1	76-9570	Hose Assembly, Cutting Unit	G76-9570	16.25
1	86-3080 76-6870	Hose Assembly, Cutting Unit	G86-3080	25.25
<b>450D Hoses</b>				
14	58-5740	Hose Assembly, Cutting Unit	G58-5740	41.95
14	58-5750	Hose Assembly, Cutting Unit	G58-5750	30.45
14	58-5760	Hose Assembly, Cutting Unit	G58-5760	30.95
14	58-5770	Hose Assembly, Cutting Unit	G58-5770	31.95
14	58-5780	Hose Assembly, Cutting Unit	G58-5780	32.95
14	58-5790	Hose Assembly, Cutting Unit	G58-5790	32.45

Parts are not original. OEM part numbers are for reference purposes only.