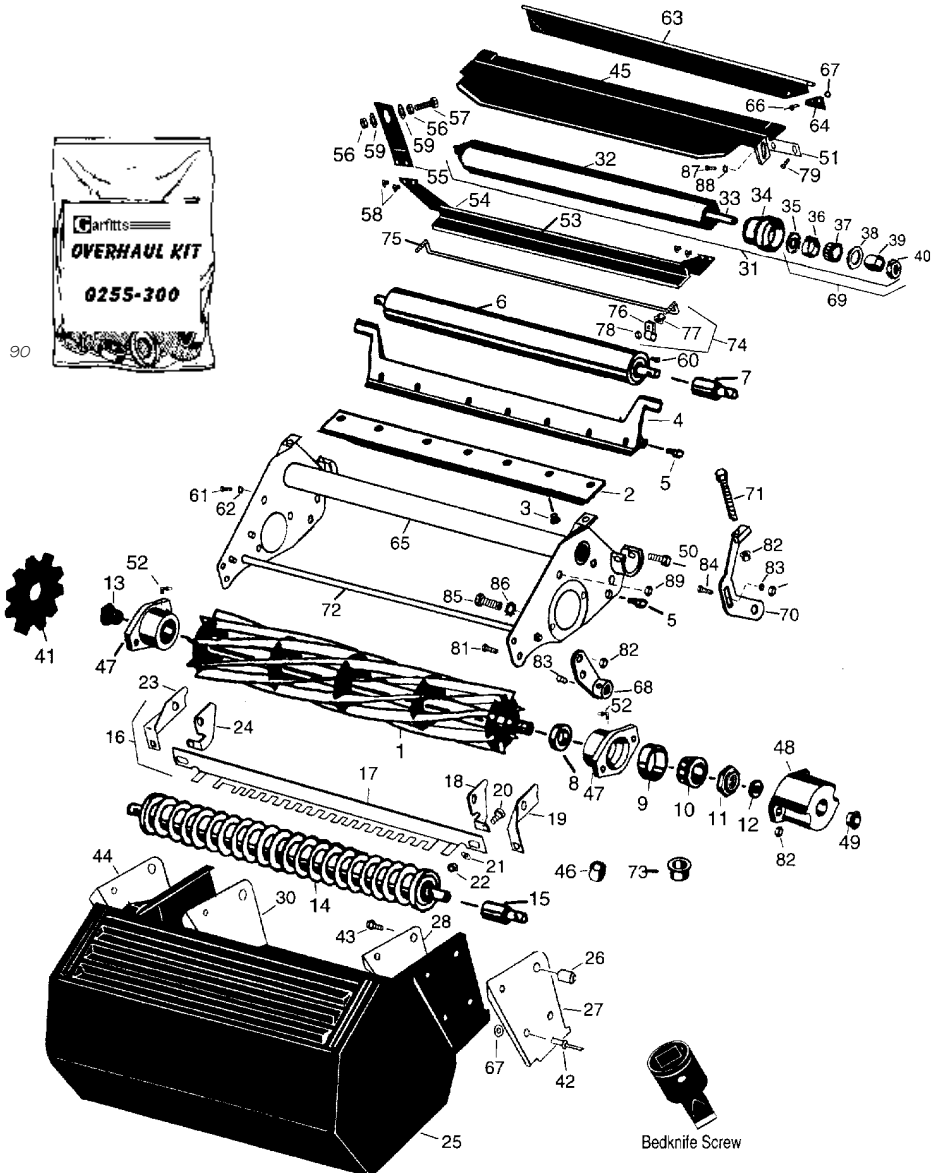


REELMASTER 223D, 5100D & 5300D



90



Bedknife Screw

TEL: (0114) 251 3344
 FAX: (0114) 251 3000

REELMASTER 223D, 5100D & 5300D

Key No	OEM Part No	Description	Our Part No	Price £
1	14-0649	Cylinder, 8 Blade	G14-0649	143.95
1	14-0659	Cylinder, 5 Blade	G14-0659	129.95
2	-	Bed Knife 5/16" H.O.C.	G150462	18.95
2	63-8610	Bed Knife 1/4" H.O.C.	G150463	20.25
2	-	Bed Knife 7/16" H.O.C.	G150464	20.75
3	57-4910	Screw, Plated 1/2" Long	G150477	0.21
4	10-4930	Bed Bar	G10-4930	73.95
5	217-74	Bolt, Bed Bar	G217-74	1.30
6	75-1850	Rear Roller Assembly	G75-1850	78.95
7	21-8430	Bearing, Rear Roller	G21-8430	16.75
8	253-96	Oil Seal, Cylinder	G253-96	3.47
9	254-72	Bearing Cup	G254-72	2.27
10	254-94	Bearing Cone	G254-94	4.80
11	3296-60	Locknut, Cylinder	G32127-46	1.60
12	253-61	Oil Seal, Cylinder	G253-61	2.69
13	10-5100	Nut, Splined	G10-5100	8.95
14	75-1520	Grooved, Roller	G75-1520	166.35
15	75-1290	Bearing, Front Roller	G75-1290	17.20
16	83-5400	Scraper kit, front roller , set of 5	G83-5400	139.95
17	82-6830	Scraper, front roller	G82-6830	5.85
18	83-6940	Bracket, LH, Scraper	G83-6940	1.95
19	83-6980	Bracket, LH, Scraper	G83-6980	5.10
20	3230-1	Carraige bolt, 5/16-18 X 3/4	G3230-1	0.38
21	3256-23	Flatwasher, 5/16	G3256-23	0.09
22	3296-29	Locknut, Esna 5/16-18	G3296-29	0.30
23	83-6950	Bracket, RH, Scraper	G83-6950	5.10
24	83-6930	Bracket, RH, Scraper	G83-6930	1.95
25	75-4010	Grass basket	G75-4010	109.95
26	75-3930	Pin, grass basket	G75-3930	3.15
27	75-4040	LH Outer support, grass basket	G75-4040	3.45
28	75-4030	LH Inner support, grass basket	G75-4030	2.95
30	75-4020	RH Inner support, grass basket	G75-4020	2.95
31	-	Heavy Duty Rear Roller - 2 1/2" Ø with Tapered Bearings	G150695	109.95
32	-	Tube Assembly, Heavy Duty Rear Roller	G150696	74.50
32	-	Tube Only, Heavy Duty Rear Roller	G150697	33.95
33	-	Shaft, Heavy Duty Rear Roller	G150698	22.95
34	-	End Cap, Heavy Duty Rear Roller	G61-0380	22.45
35	-	Inner Seal, Heavy Duty Rear Roller	G253-152	2.42
36	-	Bearing Cup, Heavy Duty Rear Roller	G254-79	2.85
37	-	Bearing Cone, Heavy Duty Rear Roller	G254-78	4.15
38	-	Outer Seal, Heavy Duty Rear Roller	G253-117	3.54
39	-	Wear Sleeve, Heavy Duty Rear Roller	G150674	6.65
40	-	Locknut, Heavy Duty Rear Roller	G3296-15	1.31
41	17-1590	Vertical Mower Blade	G17-1590	2.45
42	3269-28	Pop rivet, grass basket	G3269-28	0.25
43	323-6	Bolt, hex head, grass basket	G323-6	0.46

Continues Next Page >>>>>

REELMASTER 223D, 5100D & 5300D

Key No	OEM Part No	Description	Our Part No	Price £
44	75-4050	RH Outer support, grass basket	G75-4050	3.45
45	75-1840	Grass Shield	G75-1840	30.95
46	67-1750	Bushing, front & rear lift arms	G67-1750	2.75
46	67-1751	Bushing, rear axle	G67-1751	2.85
47	10-5120	Bearing, housing reel	G10-5120	32.95
48	10-5080	End cap, reel bearing housing	G10-5080	28.85
48	92-4080	End cap, reel bearing housing	G92-4080	30.45
49	12-0460	Caplug, end cap	G12-0460	0.63
50	3243-13	Screw, bed bar adjusting	G3243-13	1.00
51	36-7260	Cut Off Bar, Grass Shield	G36-7260	6.45
52	302-40	Grease fitting, 90	G302-40	1.50
53	03512	Scraper Assembly, includes items 54-59	G03512	27.95
54	75-1750	Scraper, Rear Roller	G75-1750	19.78
55	75-1740	Scraper Spring	G75-1740	3.95
56	3218-3	Jam Nut	G3218-3	0.25
57	323-50	Bolt, Hex Head 3/8-16 x 1-1/2	G323-50	0.50
58	3269-23	Rivet	G3269-23	0.20
59	3256-24	Flat washer, 3/8"	G453011	0.10
60	-	Grease fitting, flush	G1851	5.61
60	-	Needle nose adapter, use with G1851	G8-6783	18.95
61	322-5	Bolt, hex head, 5/16 -18 X 1	G322-5	0.25
62	3253-4	Lockwasher, 5/16	G3253-4	0.10
63	75-1560	Rear deflector	G75-1560	23.95
64	75-1720	Flap, rear deflector	G75-1720	0.55
65	75-6660	Frame	G75-6660	134.95
66	3269-4	Rivet, rear deflector	G3269-4	0.20
67	3256-49	Washer, flat	G3256-49	0.28
68	75-1960	Front roller bracket, R.H.	G75-1960	16.01
68	75-1980	Front roller bracket, L.H. (shown)	G75-1980	16.01
69	-	Overhaul kit (includes # 35 -40)	G100136	36.15
70	75-1610	Rear height of cut bracket, R.H.	G75-1610	19.95
70	75-1620	Rear height of cut bracket, L.H. (shown)	G75-1620	19.95
71	323-49	Height of cut bolt, 3/8"-16 x 3 1/4"	G323-49	1.69
72	75-1710	Support rod, cutting unit	G75-1710	13.78
73	75-2160	Flanged bushing, pivot	G3-1506	2.05
73	3-1506			
73	67-1750	Bushing	G67-1750	2.75
74	92-3085	Roller scraper assembly	G92-3085	14.95
75	92-3086	Scraper rod	G92-3086	7.35
76	92-3087	Scraper bracket	G92-3087	2.50
77	32128-33	Flanged nut	G32128-33	0.45
78	32128-32	Flanged centre lock nut	G32128-32	0.75
79	32144-73	Machine screw, hex head	G32144-73	0.25
80	323-2	Bolt, hex head 3/18-16 X 1	G323-2	0.30
81	323-7	Bolt, hex head	G400264	0.25
82	3296-39	Flanged locknut	G3296-39	0.61
83	3246-2	Set screw, roller bracket	G415521	0.22

Continues Next Page >>>>

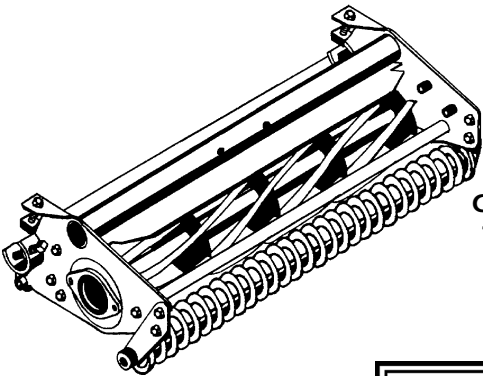
REELMASTER 223D, 5100D & 5300D

Key No	OEM Part No	Description	Our Part No	Price £
84	3231-2	Carriage bolt	G3231-2	0.35
85	3290-316	Bolt, hex head 3/8-16 x 1 1/2	G3290-316	0.29
86	3255-9	Lockwasher, 3/8 external star	G3255-9	0.12
87	321-4	Bolt, hex head 1/4-20 x 3/4	G321-4	0.20
88	3256-1	Lockwasher, 1/4"	G3253-3	0.09
89	3296-42	Esna locknut, 1/4-20	G301504	0.22
90	-	Cutting unit overhaul kit	G255-300	24.95
		includes: 1 X G253-61, 1 X G32127-46, 2 X G253-96, 2 X G254-72 2 X G254-94		

COMPLETE CUTTING UNIT
REELMASTER 223D, 5100D & 5300D

£910.00

G150207

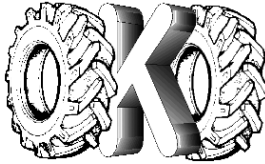


G150207
COMPLETE WITH 8 BLADE CYLINDER,
THIN BED KNIFE, GROOVED FRONT
ROLLER AND SOLID
REAR ROLLER



Our Guarantee

We guarantee products supplied will be of an equivalent or superior standard to that of the original



Linseal

**TYRE SEALANT
AND INSTANT REPAIR
PERMANENT PUNCTURE
PROTECTION FOR THE LIFE
OF THE TYRE. FOR TUBED AND
TUBELESS TYRES**

seals punctures up to 1/8" in tube
Works on all pneumatic tyres
Works repeatedly
Lasts for the life of the tyre
Does not freeze or dry up
Installs easily
Environmentally responsible
-non aerosol,
-non toxic,
-non hazardous,
-water soluble

Order
Part No. G120
£6.42 per Ltr

OKO is installed through the valve stem and remains liquid inside the tyre. When a puncture occurs, the escaping air pressure forces the liquid into the puncture. Interlocking fibres, binders and other sealing agents inside OKO intertwine and clot to create a permanent flexible and long lasting plug.

Quantities Per Tyre

Cycles, MTB	250ml	8oz.
Golf Carts, Moto Cross	250ml	8oz.
Caravans, Trailers, Mowers	500ml	16oz
Ride on Mowers	500ml / 1L	16/32oz
ATV, ATC	1L	32oz
Tractors (Front)	2/3L	64/96oz
Tractors (Rear)	4/5L	128/160oz

LINE MARKING PAINT

All of our marking paint is lead free, high pigment and harmless to turf.

750ml Marking paint cans

Available in
White
G106
or Yellow
G107

£5.95 per can



HYDRAULIC OIL DYE

Brilliant red colour
16 fl. oz. bottle
Concentrate 1/2 oz. per 5 gal oil



£50.35
per 16 fl.oz. bottle

Part No. G525

BACK LAPPING PASTE

GRIT GRADE SPECIFICATION

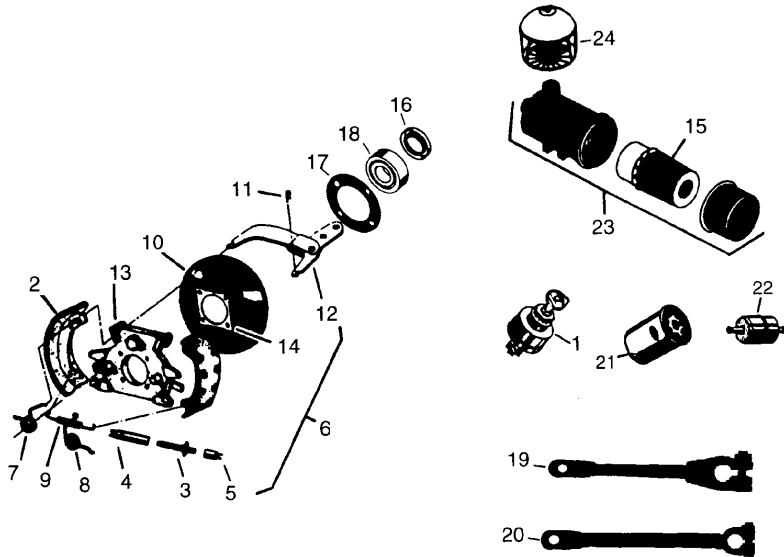
GRIT	DESCRIPTION	APPLICATIONS
50	COARSE	Fast metal removal
80	MEDIUM	Fairway mowers
120	FINE	Greens & tees mowers, daily backlapping.
2kg Tubs		£17.95
4.5kg (10lbs) Tubs		£37.50
12kg (25lbs) Tubs		£69.95

Keep it Sharp



Trade Enquiries Welcome, Compound can be supplied in Plain Containers

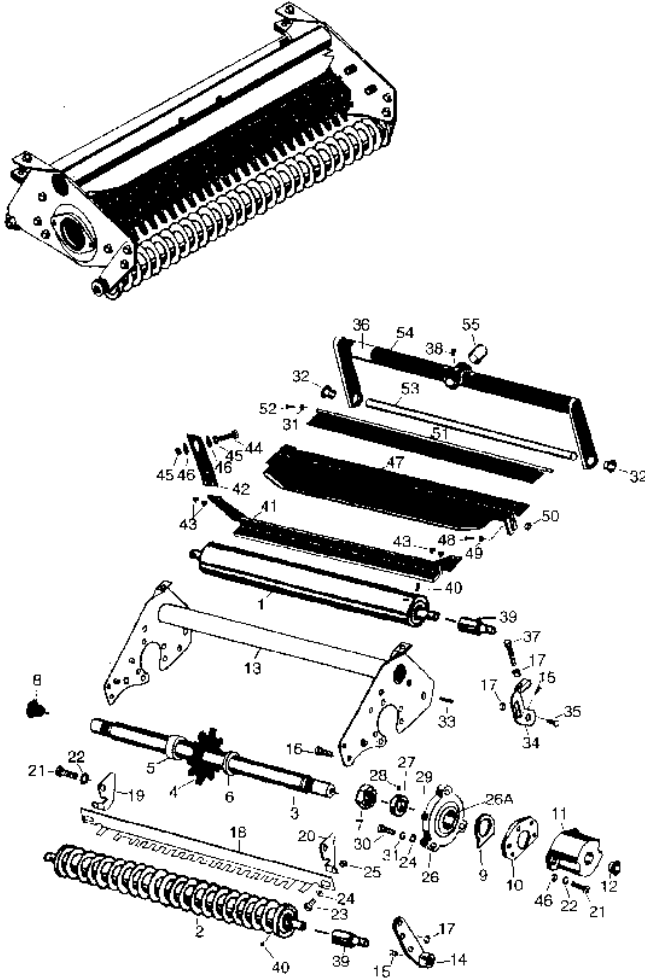
REELMASTER 223D, 5100D & 5300D



Key No	OEM Part No	Description	Our Part No	Price £
1	27-2360	Ignition switch, 6 lead	G27-2360	12.95
2	43-2690	Shoe, Brake	G43-2690	15.70
3	21-9370	Adjuster, Screw	G21-9370	5.75
4	21-9380	Pivot Nut	G21-9380	6.95
5	21-9390	Sprocket, Brake Adjuster	G21-9390	4.95
6	-	Brake Assembly	G150315	105.45
7	21-9420	LH Return Spring, Brake	G21-9420	3.89
8	21-9430	RH Return Spring, Brake	G21-9430	3.89
9	21-9440	Adjuster Screw Spring, Brake	G21-9440	2.95
10	21-9450	Dust Shield	G21-9450	14.65
11	21-9460	Retainer, Brake	G21-9460	1.49
12	24-9180	Lever, Parking Brake	G24-9180	24.45
13	43-6810	Torque Spider, Brake	G43-6810	39.65
14	28-0670	Oil Seal	G28-0670	4.95
15	27-7110	Element, Air Filter	G27-7110	15.25
16	19-1774 21-8330	Oil Seal, Front Axle	G19-1774	3.85
17	21-8320	Gasket, Front Axle	G21-8320	0.95
18	21-8180	Bearing Assembly, Front Axle	G21-8180	23.95
19	75-1370	Battery cable, positive	G75-1370	23.25
20	75-1360	Battery cable, negative	G75-1360	18.25
21	75-1310	Element, hydraulic filter	G75-1310	29.95
21	75-1330	Oil filter, transmission	G75-1330	21.95
21	67-4330	Oil filter engine	G67-4330	6.95
22	63-8300	Fuel filter element	G63-8300	22.29
23	48-4220	Air filter assembly	G48-4220	98.95
24	48-7430	Pre cleaner assembly	G27-7100P	32.95

Parts are not original. OEM part numbers are for reference purposes only.

REELMASTER 223D, 5100D & 5300D
VERTICUT UNITS PARTS

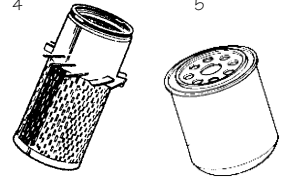
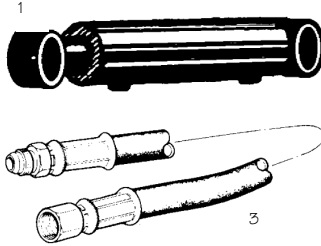


Continues Next Page >>>>>

REELMASTER 223D, 5100D & 5300D
VERTICUT UNITS PARTS

Key No	OEM Part No	Description	OurPart No	Price £
1	82-6680	Solid Rear Roller, 2-1/2" Dia., 11 lbs	G82-6680	104.95
2	75-1520	Front Machined Grooved Roller, 2-1/2" Dia., 16 lbs	G75-1520	166.35
3	82-6570	Shaft, Verti-Cut Reel	G82-6570	57.25
4	17-1590	Verti-Cut Blade, 11 tooth	G17-1590	2.55
5	82-6600	Spacer	G82-6600	1.79
6	17-1600	Spacer	G17-1600	1.45
7	3220-18	Nut, Jam	G3220-18	2.95
8	77-0340	Splined Nut	G77-0340	8.10
9	82-6820	Spacer, Bearing	G82-6820	2.45
10	82-6810	Plate, Bearing	G82-6810	24.95
11	10-5080	Cap, End	G10-5080	28.85
12	12-0460	Caplug, End Cap	G12-0460	0.63
13	82-6710	Frame	G82-6710	103.95
14	82-6510	Support, Right, Height of Cut	G82-6510	17.25
14	82-6530	Support, Left, Height of Cut (shown) Incl item 15	G82-6530	17.25
15	3242-1	Set Screw, Sq. Hd.	G3242-1	0.69
16	323-7	Bolt, Hex Hd.	G323-7	0.22
17	3296-39	Nut, Lock	G3296-39	0.61
18	82-6830	Bracket, Scraper	G82-6830	5.85
19	82-6870	Scraper, RH	G82-6870	3.75
20	82-6880	Scraper, LH	G82-6880	3.75
21	323-6	Bolt, Cap Hex hd.	G323-6	0.46
22	3253-21	Lockwasher	G3253-21	0.14
23	322-3	Bolt, Cap Hex hd.	G322-3	0.48
24	3256-23	Flat Washer	G3256-23	0.09
25	3296-29	Locknut	G3296-29	0.30
26	76-2460	Bearing Assy.	G76-2460	24.65
26A	251-337	Bearing, Ball	G251-337	14.95
27	251-77	Collar, Lock, Incl: item 28	G251-77	3.15
28	3245-35	Set Screw, 1/4-28 x 1/4"	G3245-35	0.39
29	302-11	Grease Fitting, 45 deg	G302-11	1.05
30	322-7	Bolt, Hex Hd.	G322-7	0.40
31	3253-4	Lockwasher	G3253-4	0.10
32	75-2160	Bushing Flange	G75-2160	1.79
33	32121-12	Pin, Roll	G32121-12	0.45
34	82-6650	Bracket, LH Height of Cut (Shown)	G82-6650	22.95
34	82-6630	Bracket, RH Height of Cut	G82-6630	22.95
35	3231-3	Bolt, Carriage	G3231-3	0.42
36	67-7960	Decal, Warning	G67-7960	1.25
37	323-49	Bolt, 3/8-16 x 3-1/2 Hex Hd	G323-49	1.69
38	302-60	Grease Nipple, 90 deg	G302-60	1.15
39	75-1290	Bearing	G75-1290	16.54
40	302-5	Grease Fitting	G302-5	0.52
41	82-6740	Scraper Assy., Rear, Incl: 42 & 43	G82-6740	21.45
42	82-6770	Spring, Scraper	G82-6770	2.10
43	3269-3	Pop Rivet	G3269-3	0.20
44	323-53	Bolt, 3/8-16 x 1-3/4 Hex Hd	G323-53	0.75
45	3218-3	Jam Nut, Hex	G3218-3	0.25
46	3256-24	Washer, Flat	G3256-24	0.10
47	75-1840	Grass Shield Assy.	G75-1840	30.95
48	321-4	Bolt, Hex Hd.	G321-4	0.20
49	3256-1	Flat Washer	G3256-1	0.09
50	3296-42	Nut, Lock	G3296-42	0.28
51	82-6780	Deflector, Rear	G82-6780	23.85
52	322-5	Bolt, Cap Hex hd.	G322-5	0.25
53	75-1710	Support Rod	G75-1710	13.78
54	82-6540	Frame, Carrier, Incl Items 32, 55, 56	G82-6540	94.95
55	67-1750	Bushing Axle	G67-1750	2.75

REELMASTER 223D, 5100D & 5300D



Key No	OEM Part No	Description	Our Part No	Price £
1	75-0770	Hydraulic cylinder, front L.H. & R.H.	G75-0770	129.95
1	75-0780	Hydraulic cylinder, front centre & rear	G75-0780	137.95
2	75-2140 86-7330	Cylinder repair kit	G86-7330	27.25
3	75-5880	Hose assembly, front R.H. lift	G75-5880	24.95
3	75-5900	Hose assembly, front centre lift	G75-5900	26.45
3	75-5910	Hose assembly, front centre lift	G75-5910	26.75
3	75-5930	Hose assembly, front L.H. lift	G75-5930	19.95
3	75-6180	Hose assembly, rear R.H. lift	G75-6180	20.95
3	75-6070	Hose assembly, rear L.H. lift	G75-6070	12.45
3	75-6080	Hose assembly, rear L.H. lift	G75-6080	12.65
3	75-5890	Hose assembly, front L.H. & R.H. lift	G75-5890	24.95
3	75-6230	Hose assembly, steering	G75-6230	46.95
3	92-1724 75-6030	Hose assembly, front R.H. cylinder	G92-1724	67.95
3	92-1722 75-5980	Hose assembly, front R.H. cylinder	G92-1722	32.95
3	92-1727 75-6010	Hose assembly, front L.H. & centre cylinder	G92-1727	49.95
3	92-1726 75-5960	Hose assembly, front L.H. & centre cylinder	G92-1726	37.95
3	75-5950	Hose assembly, front L.H. cylinder	G75-5950	34.95
3	75-6110	Hose assembly, rear R.H. cylinder	G75-6110	27.95
3	75-6040 92-1723	Hose assembly, rear R.H. cylinder	G92-1723	64.95
3	75-6190 92-1719	Hose assembly, rear L.H. cylinder	G92-1719	56.95
3	75-6050	Hose assembly, rear L.H. cylinder	G75-6050	59.95
4	-	Air filter	G27-7110	15.25
-	-	Hydraulic filter	G75-1310	29.95
5	-	Engine oil filter	G67-4330	6.95
-	-	Fuel filter (paper)	G43-2550	4.25
-	-	Fuel filter (can with tap)	G63-8300	22.29
-	-	Transmission filter	G75-1330	21.95

TEL: (0114) 251 3344
FAX: (0114) 251 3000