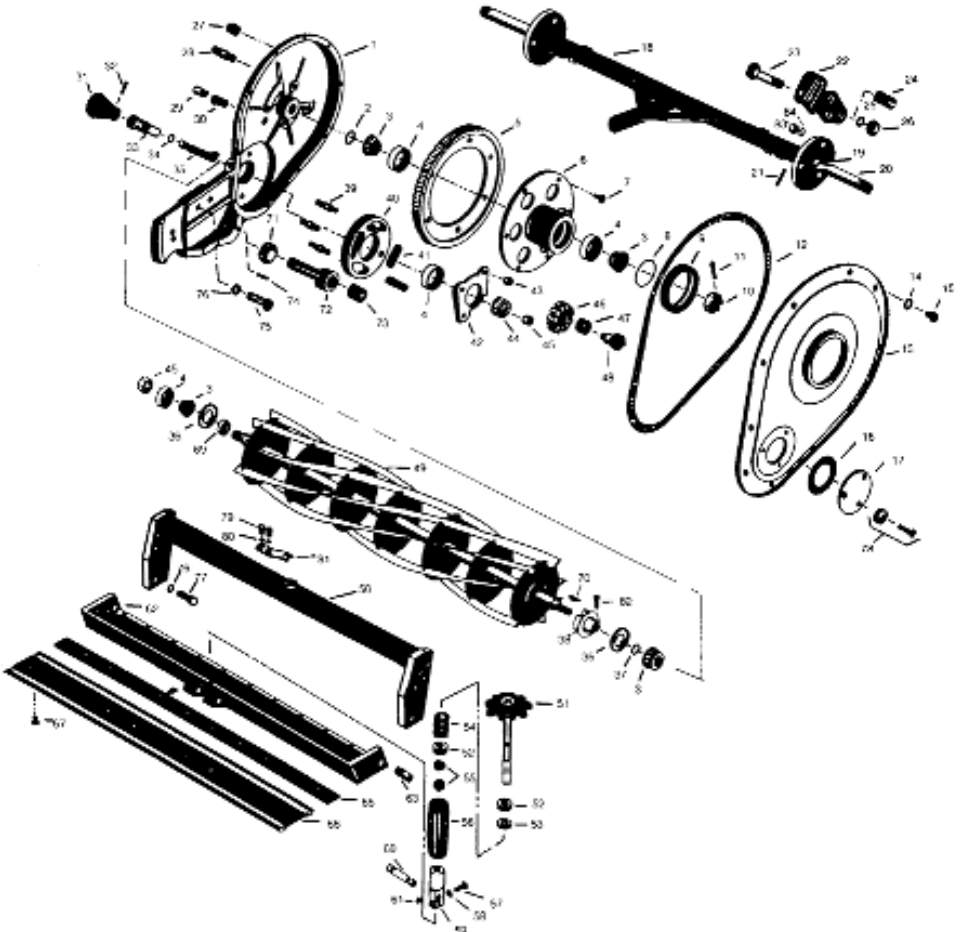


SPARTAN FAIRWAY  
MOWING UNIT PARTS



68



64



85

**SPARTAN FAIRWAY  
MOWING UNIT PARTS**

Key No	OEM Part No	Description	Our Part No	Price £
1	6-0859/6-0749	Gear Case LH	G6-0859	169.95
1	6-0869/6-0739	Gear Case RH (Shown)	G6-0869	169.95
2	237-54	O-Ring, Small	G237-54	0.30
3	-	Cone (Old Cylinder) Bearing No. 07075	G05075	15.30
3	254-78	Bearing	G254-78	4.15
4	-	Cup (Old Cylinder) Bearing No. 05185	G05185	3.95
4	254-79	Cup, Timken	G254-79	2.85
5	5-1457	Main Gear	G5-1457	83.95
6	3-4001	Hub, Ring Gear, with Rivets	G3-4001	39.95
7	3262-3	Rivet, Main Gear	G3262-3	0.31
8	237-38	O-Ring, Large	G237-38	0.99
9	253-101	Oil Seal, Cover	G253-101	4.40
10	5-1462	Castle Nut	G5-1462	1.60
11	3272-16	Cotter Pin, 5/32" x 1 1/4"	G3272-16	0.10
12	3-5002	Cork Gasket	G3-5002	2.70
13	47-4060	Cover, Gear Housing	G47-4060	17.55
14	3255-7	Lockwasher, 1/4"	G3255-7	0.08
15	3252-4/32140-94	Screw, Cover	G3252-4	0.10
16	5-1458	Gasket, Inspection Plate	G5-1458	0.54
17	5-1460	Cover, Inspection Plate	G5-1460	1.55
18	5-3889	Axle Assembly	G5-3889	90.45
19	5-3137	Bushing, Axle	G5-3137	3.55
20	5-2673	Axle Shaft	G5-2673	27.95
21	32121-12	Roll Pin	G32121-12	0.45
22	5-1090	Clamp	G5-1090	12.95
23	324-10	Bolt	G324-10	0.80
24	5-1091	Spacer	G5-1091	2.80
25	3253-6	Lockwasher, 7/16"	G3253-6	0.15
26	3217-8	Nut, 7/16"	G3217-8	0.69
27	281-3	Plug, Pipe 1/2"	G281-3	1.05
28	3-7446	Stud, Spacer Tube	G3-7446	2.55
29	302-14	Relief Fitting	G302-14	2.35
30	5-4641	Air Vent Fitting	G5-4641	4.40
31	5-1464	Throwout Handle	G5-1464	5.95
32	3283-1	Pin, Drive Lock	G3283-1	0.39
33	3-3892	Throwout Sleeve	G3-3892	6.95
34	237-21	O-Ring	G237-21	0.69
35	3-3891	Throwout Finger LH	G3-3891	9.50
35	3-3904	Throwout Finger RH (Shown)	G3-3904	9.40
36	5-3820	Oil Seal, Cylinder	G5-3820	3.15
37	237-58	O-Ring, Cylinder	G237-58	0.50
38	2-4219	Adjustment Nut, Cylinder Bearing	G2-4219	22.15
39	3-7445	Stud, Gear Case	G3-7445	3.60
40	3-4160	Carrier Ring LH	G3-4160	27.70
40	3-4170	Carrier Ring RH (Shown)	G3-4170	27.70

Continues Next Page >>>>>

**SPARTAN FAIRWAY**  
**MOWING UNIT PARTS**

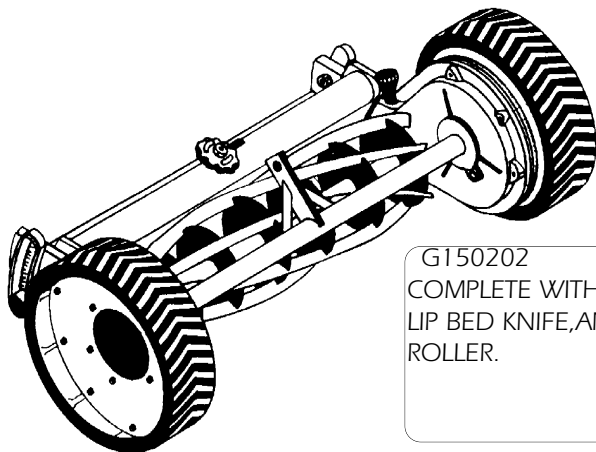
Key No	OEM Part No	Description	Our Part No	Price £
41	3-3251	Spring	G3-3251	1.15
42	3-3996	Ratchet Ring, RH (Shown)	G3-3996	13.15
42	3-3997	Ratchet Ring, LH	G3-3997	13.15
43	3296-6	Locknut, 3/8"	G3296-6	0.32
44	5-1463	Gear, Pinion	G5-1463	16.95
45	3-8386	Nut, LH Thread	G3-8386	1.68
46	12-1190	Gear, Ratchet	G12-1190	18.85
47	252-6	Needle Bearing, Pinion Gear	G252-6	3.35
48	3-9116	Stud, Ratchet Gear RH Thread	G3-9116	6.85
48	3-9117	Stud, Ratchet Gear LH Thread	G3-9117	6.85
49	26-2500	Cylinder Assembly, 5 Blade	G26-2500	120.50
49	26-2600	Cylinder Assembly, 6 Blade	G26-2600	126.70
49	26-2700	Cylinder Assembly, 7 Blade	G26-2700	132.90
49	36-4080	Cylinder, 7 Blade (fits HTM only)	G36-4080	244.95
50	8-3970	Rear Cross Bar	G8-3970	104.95
51	11-5820	Adjusting Handle	G11-5820	17.25
52	8-2570	Thrust Bearing	G8-2570	2.85
53	8-2490	Washer	G8-2490	1.75
54	5-4373	Spring	G5-4373	7.05
55	3220-12	Jam Nut, LH 1/2"	G3220-12	0.60
56	12-0430	Shield, Adj. Rod	G12-0430	1.70
57	3210-4	Capscrew	G3210-4	0.44
58	3253-4	Lockwasher, 5/16"	G3253-4	0.10
59	12-1800	Tube Adj.	G12-1800	16.75
60	20-0480	Rod Pivot, Hardened	G20-0480	4.55
61	302-11	Grease Fitting	G302-5	0.52
62	11-5770	Backing Bar, Fwy.	G11-5770	84.95
63	19-9820	Bed Bar Pivot	G19-9820	8.30
64	-	Anti-Seize Bed Bar Pivot Kit	G150490	21.45
65	5-6040	Spacer, Bed Knife	G5-6040	3.95
66	12-9650	Bed Knife, Double Lip	G150451	26.95
66	12-9650	Bed Knife, Low Cut, Double Lip	G150451L	26.95
66	-	Bed Knife, Single Lip	G150450	20.45
66	-	Bed Knife, Low Cut, Single Lip	G150450L	19.55
67	-	Screw, Regular, Bed Knife	G150476	0.21
68	-	Overhaul Kit	G255-100	76.95
69	3-7444	Sleeve, Cylinder Shaft	G3-7444	3.85
70	3257-3	Woodruff Key	G3257-3	0.40
71	217-104	Nut (Rod End Bearing)	G217-104	2.15
72	19-9870	Rod End Bearing Incl. Bushing	G19-9870	23.85
73	19-9750	Bushing	G19-9750	3.95
74	32121-2	Roll Pin, 3/16" x 5.8"	G32121-2	0.12
75	324-6	Bolt, Hex Head	G324-6	0.59
76	3253-6	Lockwasher, 7/16"	G3253-6	0.15
77	324-5	Bolt, Hex Head	G324-5	0.40
78	11-8960	Screw, with Washer	G11-8960	0.32
79	329-2	Bolt, Hex Head	G329-2	0.30

Continues Next Page >>>>>

**SPARTAN FAIRWAY  
MOWING UNIT PARTS**

Key No	OEM Part No	Description	Our Part No	Price £
80	3253-3	Lockwasher, 1/4"	G3253-3	0.09
81	8-1750	Spring Arm	G8-1750	1.69
82	3273-14	Bolt, Allen Head	G3273-14	0.45
83	3219-5	Nut, 1/2-20	G3219-5	0.35
84	3253-7	Lockwasher, 1/2"	G3253-7	0.11
85	-	Micro Adjustment Kit	G11-5825	51.85

**SPARTAN FAIRWAY  
CUTTING UNIT PARTS**



G150202  
COMPLETE WITH 7 BLADE CYLINDER, SINGLE LIP BED KNIFE, AND REGREASABLE REAR ROLLER.

**£ 1304.95**

You may also choose any of the following combinations of cylinders, bed knives or wheels to suit your cutting requirements. Please call for a Quote

**CYLINDERS**

- 5 Blade
- 6 Blade
- 7 Blade

**WHEELS**

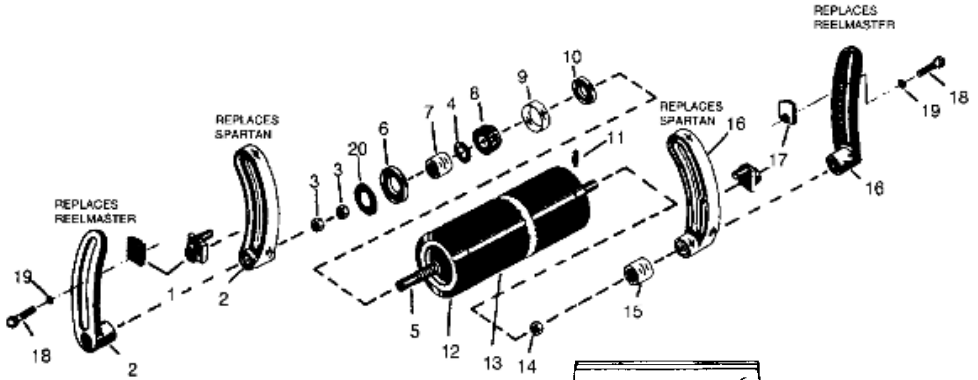
- 16" Pneumatic
- 16" Steel
- 14" Steel
- 16" Semi - Pneumatic

**TEL: (0114) 251 3344**  
**FAX: (0114) 251 3000**

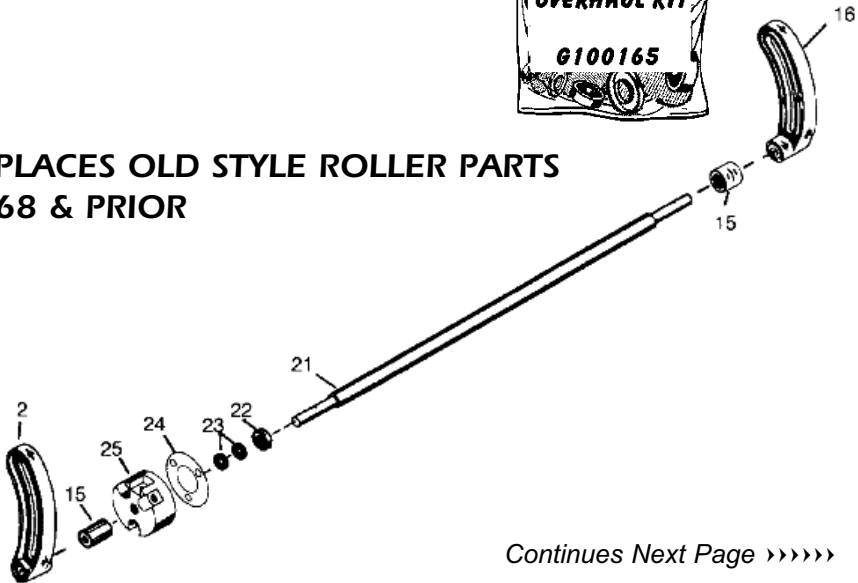
**BED KNIVES**

- Single lip
- Double lip
- Single lip , low cut
- Double Lip, Low Cut

**SPARTAN & REELMASTER FAIRWAY**  
MOWING UNIT PARTS



**REPLACES OLD STYLE ROLLER PARTS  
1968 & PRIOR**



*Continues Next Page >>>>>*

**SPARTAN & REELMASTER FAIRWAY  
MOWING UNIT PARTS**

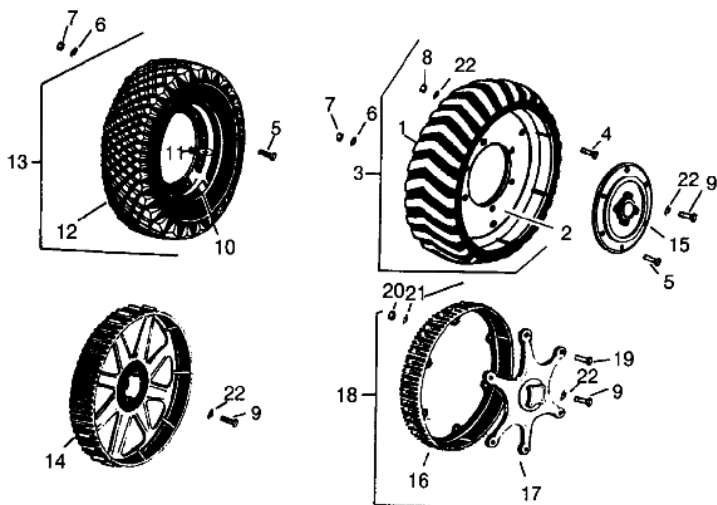
Key No	OEM Part No	Description	Our Part No	Price £
1	6-1130	Adjuster Nut LH (fits Spartan only)	G6-1130	3.30
1	47-4390	Adjuster Nut LH (fits Reelmaster only)	G47-4390	3.30
2	2-2149	Roller Bracket, LH including Bushing (fits Spartan only)	G2-2149	18.45
2	11-5079	Roller Bracket, LH (fits Reelmaster only)	G11-5079	18.45
3	3220-7	Jam Nut, 3/4-16	G3220-7	0.99
4	47-7510	Washer, Nylon	G47-7510	0.42
5	8-3980	Roller Shaft '69 & after	G8-3980	20.75
6	253-117	Seal, Outer	G253-117	3.34
7	5-4523	Sleeve	G5-4523	6.95
7	-	Sleeve Stainless	G5-4523S	8.35
8	254-78	Bearing	G254-78	4.15
9	254-79	Cup	G254-79	2.85
10	253-122	Seal, Inner	G253-122	2.38
11	302-5	Grease Fitting	G302-5	0.52
12	4-5659	End Plug, Roller	G4-5659	20.25
13	8-3990/5-3939	Roller Assembly Complete	G8-3990	108.95
13	5-3940	Tube Only	G5-3940	45.95
14	3296-15	Locknut, 3/4-16	G3296-15	1.31
15	3-4010	Bushing, Rubber	G3-4010	3.59
16	2-2139	Roller Bracket, RH including Bushing (fits Spartan only)	G2-2139	18.45
16	11-5089	Roller Bracket, RH (fits Reelmaster only)	G11-5089	18.45
17	6-1120	Adjuster Nut RH (fits Spartan only)	G6-1120	3.30
17	47-4380	Adjuster Nut RH (fits Reelmaster only)	G47-4380	3.30
18	325-7	Bolt - Hex Head	G325-7	0.55
19	3253-7	Lockwasher	G3253-7	0.11
20	5-4527	Washer	G5-4527	0.65
<b>REPLACES TORO OLD STYLE ROLLER</b>				
21	3-3232	Roller Shaft '68 & prior	G3-3232	18.80
22	251-293	Bearing, Old Style Roller	G251-293	5.75
23	253-70	Oil Seal, Old Style Roller	G253-70	3.25
24	3-0312	Gasket, Old Style Roller	G3-0312	0.56
25	2-9149	End Plug, Old Style Roller	G2-9149	20.95
26	-	ROLLER OVERHAUL KIT includes Bearings Seals, Wear Sleeves & Nuts to rebuild one roller	G100165	38.70



*Our Guarantee*

*We guarantee products supplied will be of an equivalent or superior standard to that of the original*

## SPARTAN &amp; REELMASTER FAIRWAY



Key No	OEM Part No	Description	Our Part No	Price £
1	12-9390	4 x 16 Semi Pneumatic Tyre	G12-9390	37.95
2	12-9460	4 x 16 Semi Pneumatic Disc Half	G12-9460	15.95
3	-	16" Semi Pneumatic Wheel Kit (Incl. 2 Tyres & 4 Disc Halves)	G150304	125.95
4	322-2	Capscrew	G322-2	0.40
5	3211-4	Capscrew	G3211-4	0.40
6	3254-6	Lockwasher, 3/8	G3254-6	0.08
7	3219-3	Nut, 3/8	G3219-3	0.20
8	3217-6	Nut, 5/16	G3217-6	0.10
9	5-1470	Capscrew, 5/16	G5-1470	0.40
10	5-3256	16" Pneumatic Disc Half with Valve Hole	G5-3256	12.75
10	5-3257	16" Pneumatic Disc Half without Valve Hole	G5-3257	12.50
11	232-3	Tube, 4.80 x 8	G232-3	10.95
12	231-3	Tyre, 4.80 x 8 Ind Stud 4 Ply, TT Godyear	G231-3	34.95
13	-	16" Pneumatic Wheel Kit includes 2 Tyres, 2 Tubes, 4 Disc Halves	G01320	125.95
14	01336	Wheel, Steel (16") includes 2 wheels & hubs	G01336	141.95
15	5-1468	Hub, Wheel	G5-1468	29.65
16	5-2682	Rim, Steel 14"	G5-2682	47.65
17	5-2683	Hub, Steel 14"	G5-2683	38.95
18	01343	14" Steel Wheel Kit includes 2 Wheels & Hubs	G01343	158.95
19	3211-6	Capscrew	G3211-6	0.68
20	-	Nut	G800276	0.14
21	3254-6	Lockwasher, 3/8	G3254-6	0.08
22	3253-4	Lockwasher, 5/16	G3253-4	0.10