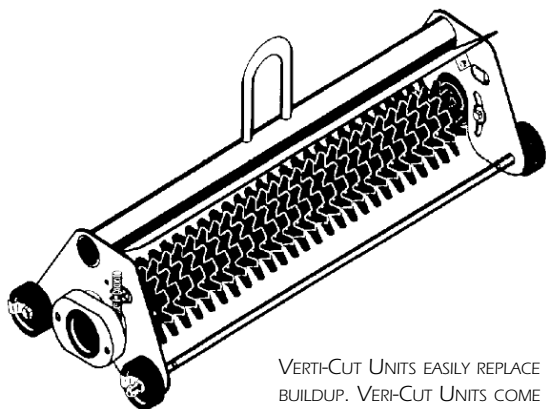


COMPLETE CUTTING UNIT
GM3, GM300, GM3000 & GM3100



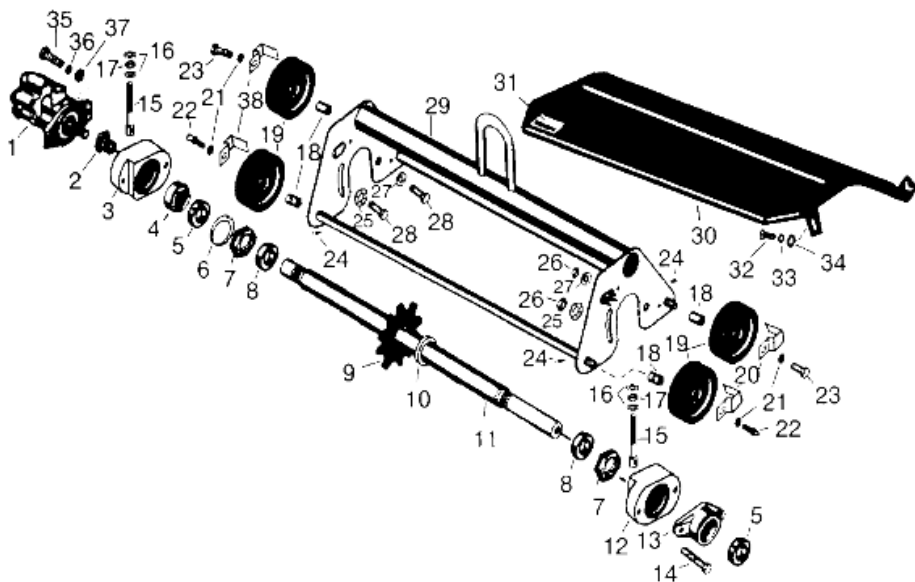
£620.00

G150206

COMPLETE WITH VERTI-CUT CYLINDER

VERTI-CUT UNITS EASILY REPLACE REGULAR CUTTING UNITS FOR REMOVAL OF THATCH BUILDUP. VERTI-CUT UNITS COME COMPLETELY ASSEMBLED, READY FOR OPERATION WITH VERTI-CUT BLADES MADE OF TEMPERED SPRING STEEL.

DISASSEMBLED VERT-CUT UNIT
GM3, GM300, GM3000 & GM3100



Parts are not original. OEM part numbers are for reference purposes only.

**DISASSEMBLED VERT-CUT UNIT
GM3, GM300, GM3000 & GM3100**

Key No	OEM Part No	Description	Our Part No	Price £
1	10-5090	Cylinder Motor	G105-9770	189.95
2	10-5100	Nut, Splined	G10-5100	8.95
3	17-1610	Housing, Bearing Motor End	G17-1610	47.50
4	251-206	Bearing Including G251-77	G251-206	14.95
5	251-77	Lock Collar, Bearing	G251-77	3.15
6	32120-77	Retaining Ring	G32120-77	2.75
7	3220-18	Nut, Jam	G3220-18	2.95
8	17-1580	"Spacer, 1/2""	G17-1580	1.85
9	17-1590	Vertical Mower Blade	G17-1590	2.45
10	17-1600	"Spacer, 1/4""	G17-1600	1.45
11	17-1570	Hex Shaft	G17-1570	57.95
12	17-1520	Counter Weight	G17-1520	35.95
13	251-247	Flanged Bearing Assembly Including G251-77	G251-247	49.95
14	324-13	Bolt, Hex	G324-13	0.75
15	17-1510	Eye Bolt	G17-1510	13.85
16	17-1710	Flat Washer	G17-1710	0.11
17	3217-7	Nut, Hex	G3217-7	0.12
18	17-1620	Bushing, Wheel	G17-1620	3.08
19	17-1630	Wheel, Rubber	G17-1630	7.45
20	17-1640	Scraper, LH Wheel	G17-1640	2.05
21	3254-6	Lockwasher, Internal Star	G3254-6	0.08
22	2411-7	Stud	G2411-7	2.20
23	3211-3	Bolt, Hex	G3211-3	0.40
24	302-5	Grease Fitting	G302-5	0.52
25	3290-334	Lockwasher, Pyramidal	G3290-334	0.82
26	443114	Nut, Hex	G443114	0.19
27	3255-16	Lockwasher, External Star	G3255-16	0.18
28	324-6	Bolt, Hex	G324-6	0.59
29	17-1450	Frame	G17-1450	149.95
30	17-1530	Grass Shield	G17-1530	32.75
31	-	Decal, Warning	G354083	0.60
32	329-1	Bolt, Hex Head	G329-1	0.25
33	3255-7	Lockwasher, External Star	G3255-7	0.07
34	3256-22	Flat Washer	G3256-22	0.08
35	323-6	Bolt, Hex Head	G323-6	0.46
36	3255-9	Lockwasher	G3255-9	0.12
37	3256-24	Flat Washer	G3256-24	0.10
38	17-1650	Scraper, RH Wheel	G17-1650	2.05

Parts are not original. OEM part numbers are for reference purposes only.